

THIS COPY IS PROVIDED ON A RESTRICTED BASIS AND IS NOT TO BE USED IN ANY WAY DETRIMENTAL TO THE INTERESTS OF PANDUIT CORP.

TWIST TIE

NOTES:

1. SEE CATALOG FOR A COMPLETE LIST OF PARTS APPLICABLE FOR USE WITH THIS PART.
2. TERMINATED WITH (8 POSITION) MODULAR PLUGS AT BOTH ENDS PER T568B.
3. CONSTRUCTED WITH STRANDED CAT6 UTP 24AWG CM PATCH CABLE
4. MATERIALS:
 PLUG: POLYCARBONATE
 BOOT: CLEAR PVC
5. NOMINAL CABLE JACKET DIAMETER IS 0.235 IN (5.97MM)
6. PACKAGING: BULK PACKED 25 CORDS PER CARTON, WITHOUT BAGS.

STRAIN RELIEF BOOT

T568B WIRING SCHEME

PLUG POSITION:

- 1
- 2
- 3
- 4
- 5
- 6
- 7
- 8

CABLE WIRE:
 1 WHITE/ORANGE
 2 ORANGE
 3 WHITE/GREEN
 4 BLUE
 5 WHITE/BLUE
 6 GREEN
 7 WHITE/BROWN
 8 BROWN

CABLE COLORS **	= COLOR
OFF WHITE	--
BLACK	BL
BLUE	BU
RED	RD
YELLOW	YL
GREEN	GR

IDENTIFICATION LABEL

TANGLE-FREE LATCH

MODULAR PLUG

PLUG POSITION 1

SEE SHEET 2 FOR
 PATCH CORD LENGTHS
 AND PART NUMBERS

PART NUMBER		UTPSPXX**Y-Q	
TITLE		TX6 PLUS UTP PATCH CORDS (CM) BULK PACKED	
CUSTOMER DRAWING			
ITEM REVISION NAME		M02479QW/00	
DATASET FILE NAME		M02479QW_DC402/00B	
UNLESS OTHERWISE SPECIFIED, DIMENSIONAL TOLERANCES ARE: IN [mm]		MATERIAL:	
.x ± .xxx ± .010 [.3]			
.xx ± .03 [.8]		DRAWING NUMBER:	
ANGLES ±		02479-402	
THIRD ANGLE PROJECTION			
DRAWN BY	DATE	CHK	SCALE
BJN	11-21-11	EJH	NONE
REV	DATE	BY	CHK
DESCRIPTION	ECN	SHT 1 OF 2	
		A	

REV	DATE	BY	CHK	APR	DESCRIPTION	ECN
1	4-3-14	BJN	JSP	EJH	UPDATED	
R	11-21-11	BJN	EJH	EJH	RELEASED TO PRODUCTION	02479-402

D10100DA/14

2

1

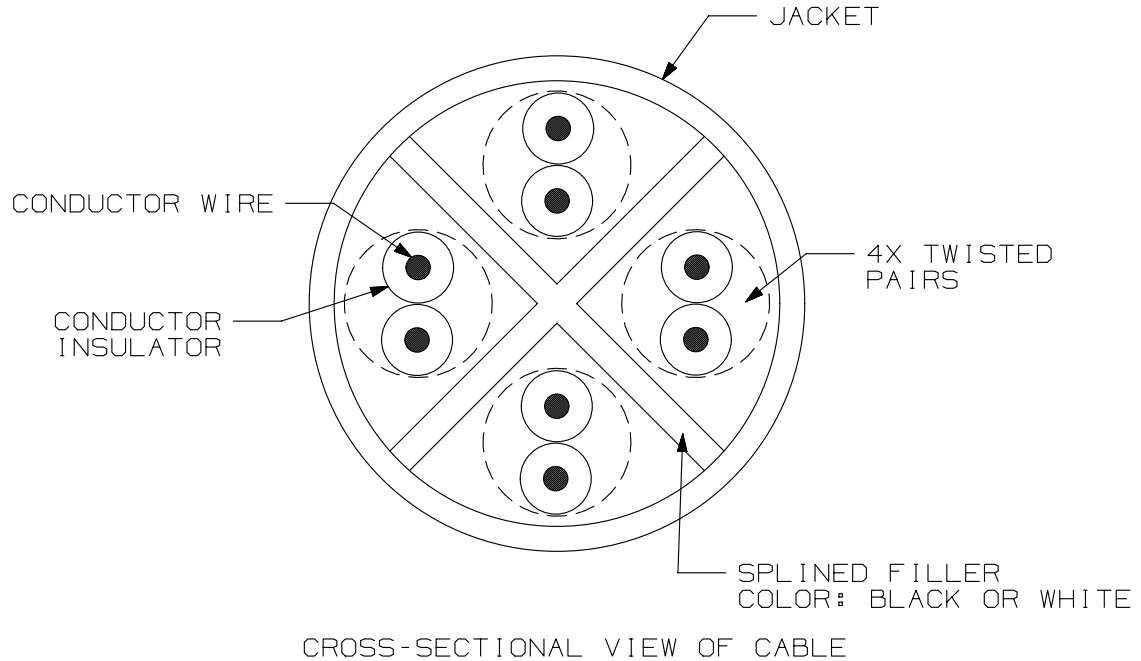
2

1

THIS COPY IS PROVIDED ON A RESTRICTED BASIS AND IS NOT TO BE USED IN ANY WAY DETRIMENTAL TO THE INTERESTS OF PANDUIT CORP.

TX6 PLUS UTP PATCH CORDS

PANDUIT PART NUMBER	MIN. CABLE LENGTH	PANDUIT PART NUMBER	MIN. CABLE LENGTH
UTPSP3**Y-Q	3 FT.	UTPSP2M**Y-Q	2 METER
UTPSP4**Y-Q	4 FT.	UTPSP3M**Y-Q	3 METER
UTPSP5**Y-Q	5 FT.		
UTPSP6**Y-Q	6 FT.		
UTPSP7**Y-Q	7 FT.		
UTPSP8**Y-Q	8 FT.		
UTPSP9**Y-Q	9 FT.		
UTPSP10**Y-Q	10 FT.		
UTPSP11**Y-Q	11 FT.		
UTPSP12**Y-Q	12 FT.		
UTPSP13**Y-Q	13 FT.		
UTPSP14**Y-Q	14 FT.		
UTPSP15**Y-Q	15 FT.		
UTPSP16**Y-Q	16 FT.		
UTPSP17**Y-Q	17 FT.		
UTPSP18**Y-Q	18 FT.		
UTPSP19**Y-Q	19 FT.		
UTPSP20**Y-Q	20 FT.		



PART NUMBER		UTPSPXX**Y-Q	
TITLE			
TX6 PLUS UTP PATCH CORDS (CM) BULK PACKED			
CUSTOMER DRAWING			
ITEM REVISION NAME		M02479QW/00	
DATASET FILE NAME		M02479QW_DC402/00B	
UNLESS OTHERWISE SPECIFIED, DIMENSIONAL TOLERANCES ARE: IN [mm]		MATERIAL:	
.x ± .xx ± .03 [.8]		DRAWING NUMBER:	
.xxx ± .010 [.3]		02479-402	
ANGLES ±		THIRD ANGLE PROJECTION	
DRAWN BY	DATE	CHK	SCALE
BJN	11-21-11	EJH	NONE
SHT 2 OF 2			SIZE
			A

REV	DATE	BY	CHK	APR	DESCRIPTION	ECN
1	4-3-14	BJN	JSP	EJH	SEE SHEET 1 FOR REVISIONS	02479-402
R	11-21-11	BJN	EJH	EJH	SEE SHEET 1 FOR REVISIONS	02479-402

D10100DA/14