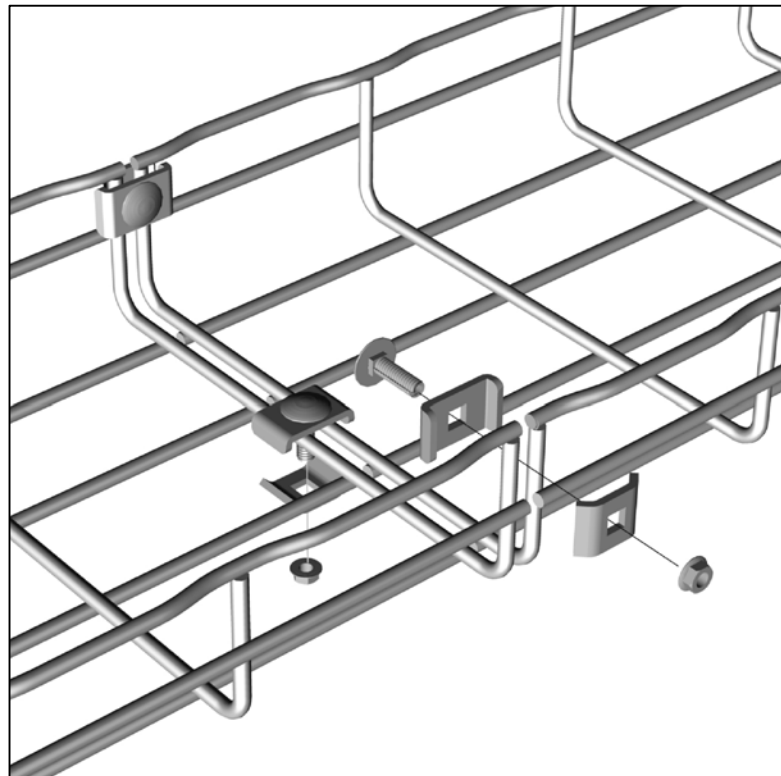
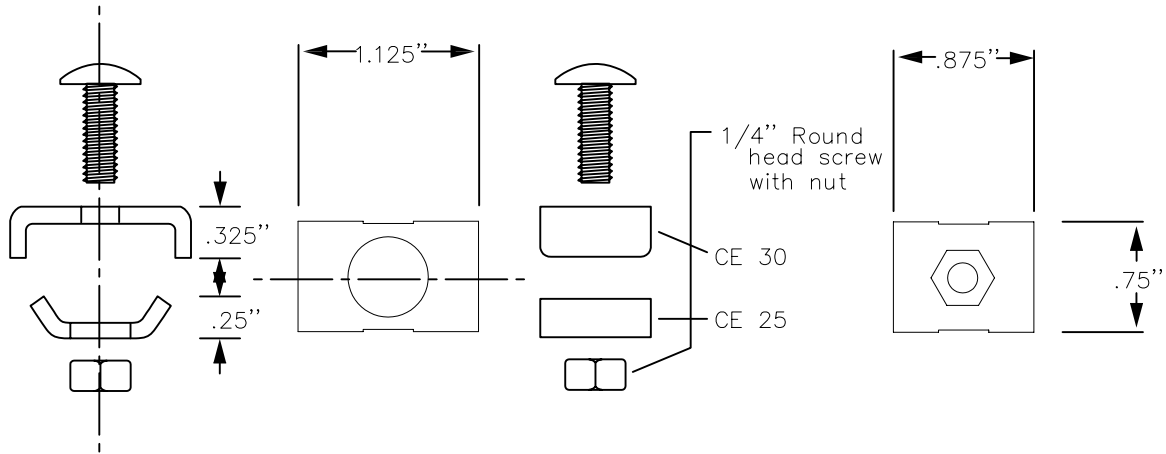



# NUT, BOLT AND CLAMP ASSEMBLY

# CABLOFIL®

INNOVATORS IN CABLE MANAGEMENT

8319 State Route 4  
 Mascoutah IL 62258  
 Phone: 800-658-4641  
 618-566-3230  
 Fax: 618-566-3250  
[www.cablofil.com](http://www.cablofil.com)



	#	
	qty	lb
CE 25	50	1.0
CE 30	50	1.7
EZ BN 1/4	50	1.0

**EZ** **DC** **GC** **316L** **BL** **PE**