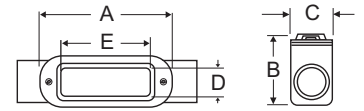


## PVC COATED FORM 8 FITTINGS

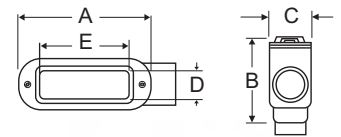
### C Form 8

Item Number	Trade Size	Size Metric (mm)	A	B	C	D	E	Weight Per 100 (lbs)	Aluminum Item Number
PV0500C18	1/2"	16	6.69	1.48	1.46	1.00	3.31	200	PA0500C19
PV0700C28	3/4"	21	7.78	1.73	1.27	1.19	3.94	230	PA0700C29
PV1000C38	1"	27	9.31	1.98	1.83	1.38	4.56	280	PA1000C39
PV1200C448	1-1/4"	35	11.00	2.42	2.27	1.75	5.31	450	PA1200C49
PV1500C58	1-1/2"	41	13.38	2.82	2.83	2.13	6.50	650	PA1500C59
PV2000C68	2"	53	14.25	3.60	3.83	3.00	8.56	1030	PA2000C69
PV2500C78	2-1/2"	63	17.63	4.48	5.08	14.25	10.88	1800	PA2500C789
PV3000C88	3"	78	17.63	4.85	5.08	4.25	10.88	2050	PA3000C889
PV3500C989	3-1/2"	91	20.75	5.73	6.33	5.44	13.44	1000	PA3500C989
PV4000C1089	4"	103	20.75	5.73	6.33	5.44	13.44	1200	PA4000C1089



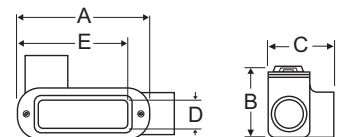
### LB Form 8

Item Number	Trade Size	Size Metric (mm)	A	B	C	D	E	Weight Per 100 (lbs)	Aluminum Item Number
PV0500LB18	1/2"	16	5.48	2.26	1.42	1.00	3.31	150	PA0500LB19
PV0700LB28	3/4"	21	6.35	2.48	1.60	1.19	3.94	200	PA0700LB29
PV1000LB38	1"	27	7.51	2.85	1.79	1.38	4.56	290	PA1000LB39
PV1200LB448	1-1/4"	35	8.82	3.38	2.23	1.75	5.31	410	PA1200LB49
PV1500LB58	1-1/2"	41	10.67	4.07	2.79	2.13	6.50	650	PA1500LB59
PV2000LB68	2"	53	13.04	4.85	3.79	3.00	8.56	820	PA2000LB69
PV2500LB78	2-1/2"	63	15.98	6.17	5.04	4.25	10.88	1820	PA2500LB789
PV3000LB888	3"	78	15.98	6.54	5.04	4.25	10.88	2120	PA3000LB889
PV3500LB98	3-1/2"	91	14.73	7.60	6.29	5.44	13.44	3120	PA3500LB989
PV4000LB108	4"	103	14.73	7.85	6.29	5.44	13.44	3200	PA4000LB1089



### LL Form 8

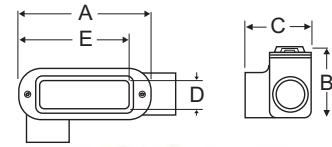
Item Number	Trade Size	Size Metric (mm)	A	B	C	D	E	Weight Per 100 (lbs)	Aluminum Item Number
PV0500LL18	1/2"	16	5.48	1.48	2.20	1.00	3.31	140	PA0500LL19
PV0700LL28	3/4"	21	6.35	1.73	2.35	1.19	3.94	210	PA0700LL29
PV1000LL38	1"	27	7.51	1.98	2.67	1.38	4.56	260	PA1000LL39
PV1200LL48	1-1/4"	35	8.82	2.42	3.20	1.75	5.31	420	PA1200LL49
PV1500LL58	1-1/2"	41	10.67	2.82	4.04	2.13	6.50	620	PA1500LL59
PV2000LL68	2"	53	13.04	3.60	5.04	3.00	8.56	1050	PA2000LL69
PV2500LL78	2-1/2"	63	15.98	4.48	6.73	4.25	10.88	1900	PA2500LL789
PV3000LL88	3"	78	15.98	4.85	6.73	4.25	10.88	2150	PA3000LL889
PV3500LL98	3-1/2"	91	14.73	1.92	6.98	4.50	10.25	2150	PA3500LL989
PV4000LL108	4"	103	14.73	5.42	6.98	4.50	10.25	2450	PA4000LL1089



## PVC COATED FORM 8 FITTINGS

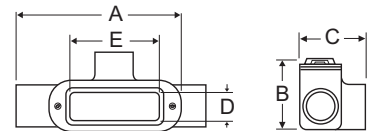
### LR Form 8

Item Number	Trade Size	Size Metric (mm)	A	B	C	D	E	Weight Per 100 (lbs)	Aluminum Item Number
PV0500LR18	1/2"	16	5.48	1.48	2.20	1.00	3.31	140	PA0500LR19
PV0700LR28	3/4"	21	6.35	1.73	2.35	1.19	3.94	210	PA0700LR29
PV1000LR38	1"	27	7.51	1.98	2.67	1.38	4.56	260	PA1000LR39
PV1200LR48	1-1/4"	35	8.82	2.42	3.20	1.75	5.31	450	PA1200LR49
PV1500LR58	1-1/2"	41	10.67	2.82	4.04	2.13	6.50	620	PA1500LR59
PV2000LR68	2"	53	13.04	3.60	5.04	3.00	8.56	1070	PA2000LR69
PV2500LR78	2-1/2"	63	15.98	4.48	6.73	4.25	10.88	1770	PA2500LR789
PV3000LR88	3"	78	15.98	4.85	6.73	4.25	10.88	1800	PA3000LR889
PV3500LR98	3-1/2"	91	14.73	4.92	6.98	4.50	10.25	2100	PA3500LR989
PV4000LR108	4"	103	14.73	5.42	6.98	4.50	10.25	2400	PA4000LR1089



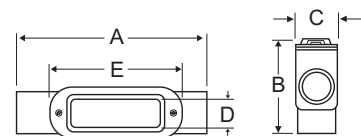
### T Form 8

Item Number	Trade Size	Size Metric (mm)	A	B	C	D	E	Weight Per 100 (lbs)	Aluminum Item Number
PV0500T18	1/2"	16	6.69	1.79	2.20	1.00	3.31	180	PA0500T19
PV0700T28	3/4"	21	2.50	2.04	2.35	1.19	3.94	250	PA0700T29
PV1000T38	1"	27	3.30	2.29	2.67	1.38	4.56	330	PA1000T39
PV1200T48	1-1/4"	35	1.90	2.67	3.20	1.75	5.31	490	PA1200T49
PV1500T58	1-1/2"	41	7.50	2.82	4.04	2.13	6.50	750	PA1500T59
PV2000T68	2"	53	11.70	3.60	5.04	3.00	8.56	1170	PA2000T69
PV2500T78	2-1/2"	63	19.80	4.48	6.73	4.25	10.88	1980	PA2500T789
PV3000T88	3"	78	23.10	4.85	6.73	4.25	10.88	2100	PA3000T889
PV3500T98	3-1/2"	91	21.00	5.73	8.17	5.44	13.44	2350	PA3500T989
PV4000T108	4"	103	24.00	5.98	8.17	5.44	13.44	2400	PA4000T1089



### TB Form 8

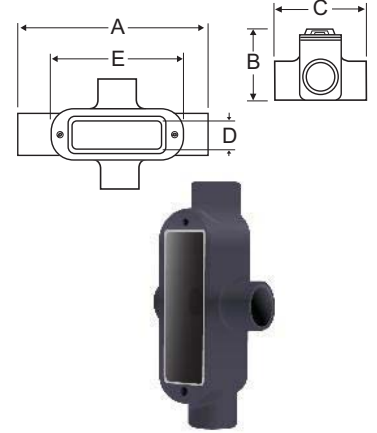
Item Number	Trade Size	Size Metric (mm)	A	B	C	D	E	Weight Per 100 (lbs)	Aluminum Item Number
PV0500TB18	1/2"	16	6.69	3.57	1.46	1.00	3.31	200	PA0500TB19
PV0700TB28	3/4"	21	7.78	3.79	1.64	1.19	3.94	230	PA0700TB29
PV1000TB38	1"	27	9.31	4.17	1.83	1.38	4.56	310	PA1000TB39
PV1200TB48	1-1/4"	35	11.00	4.38	2.27	1.75	5.31	520	
PV1500TB58	1-1/2"	41	13.38	5.08	2.83	2.13	6.50	700	
PV2000TB68	2"	53	16.25	5.85	3.83	3.00	8.56	1100	



## PVC COATED FORM 8 FITTINGS

### X Form 8

Item Number	Trade Size	Size Metric (mm)	A	B	C	D	E	Weight Per 100 (lbs)	Aluminum Item Number
PV0500X18	1/2"	16	6.69	3.91	1.79	1.00	3.31	200	PA0500X19
PV0700X28	3/4"	21	7.89	4.56	2.04	1.19	3.94	260	PA0700X29
PV1000X38	1"	27	9.31	5.50	2.29	1.38	4.56	310	PA1000X39
PV1200X48	1-1/4"	35	11.00	6.63	2.67	1.75	5.31	520	
PV1500X58	1-1/2"	41	13.38	8.25	2.51	2.13	6.50	750	
PV2000X68	2"	53	16.25	10.25	3.60	3.00	8.56	1170	



## PVC COATED FORM 8 COVERS

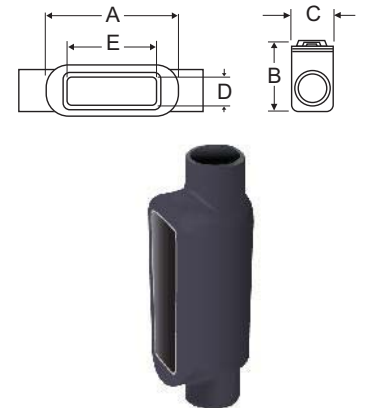
Item Number	Trade Size
PV0500180F	1/2"
PV0700280F	3/4"
PV1000380F	1"
PV1200480F	1-1/4"
PV1500580F	1-1/2"
PV2000680F	2"
PV2530880F	2-1/2" - 3"
PV3540980F	3-1/2" - 4"



## PVC COATED FORM 7 FITTINGS

### C Form 7

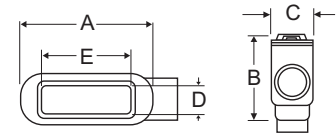
Item Number	Trade Size	Size Metric (mm)	A	B	C	D	E	Weight Per 100 (lbs)	Aluminum Item Number
PV0500C17	1/2"	16	6.38	1.42	1.46	0.94	3.19	100	PA0500C17SA
PV0700C27	3/4"	21	7.50	1.67	1.64	1.13	3.81	140	PA0700C27SA
PV1000C37	1"	27	9.00	1.92	1.83	1.38	4.50	220	PA1000C37SA
PV1200C47	1-1/4"	35	9.94	2.35	2.27	1.75	5.00	270	PA1200C47SA
PV1500C57	1-1/2"	41	11.19	2.60	2.52	1.94	5.44	400	PA1500C57SA
PV2000C67	2"	53	11.19	3.17	3.08	2.44	6.38	550	PA2000C67SA
PV2500C77	2-1/2"	63	14.00	3.67	4.33	3.56	8.38	1000	PA2500C77SA
PV3000C87	3"	78	13.75	4.42	4.33	3.56	8.38	1180	PA3000C87SA



## PVC COATED FORM 7 FITTINGS

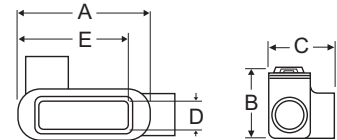
### LB Form 7

Item Number	Trade Size	Size Metric (mm)	A	B	C	D	E	Weight Per 100 (lbs)	Aluminum Item Number
PV0500LB17	1/2"	16	5.10	2.29	1.42	0.94	3.19	110	PA0500LB17SA
PV0700LB27	3/4"	21	5.98	2.54	1.60	1.13	3.81	170	PA0700LB27SA
PV1000LB37	1"	27	7.01	2.92	1.79	1.38	4.50	220	PA1000LB37SA
PV1200LB47	1-1/4"	35	7.79	3.35	2.23	1.75	5.00	310	PA1200LB47SA
PV1500LB57	1-1/2"	41	8.67	3.73	2.48	1.94	5.44	380	PA1500LB57SA
PV2000LB67	2"	53	10.17	4.29	3.04	2.44	6.38	520	PA2000LB67SA
PV2500LB777	2-1/2"	63	12.54	5.17	4.29	3.56	8.38	1000	PA2500LB777SA
PV3000LB87	3"	78	12.54	5.92	4.29	3.56	8.38	1300	PA3000LB87SA
PV3500LB97	3-1/2"	91	14.73	6.60	5.29	4.50	10.25	1900	PA3500LB97SA
PV4000LB107	4"	103	14.73	7.10	5.29	4.50	10.25	1850	PA4000LB107SA



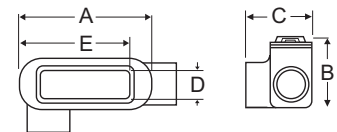
### LL Form 7

Item Number	Trade Size	Size Metric (mm)	A	B	C	D	E	Weight Per 100 (lbs)	Aluminum Item Number
PV0500LL17	1/2"	16	5.10	1.42	2.29	0.94	3.19	120	PA0500LL17SA
PV0700LL27	3/4"	21	5.98	1.67	2.48	1.13	3.81	160	PA0700LL27SA
PV1000LL37	1"	27	7.04	1.92	2.79	1.38	4.50	210	PA1000LL37SA
PV1200LL47	1-1/4"	35	7.79	2.35	3.23	1.75	5.00	300	PA1200LL47SA
PV1500LL57	1-1/2"	41	8.67	2.60	3.60	1.94	5.44	410	PA1500LL57SA
PV2000LL67	2"	53	10.17	3.17	4.17	2.44	6.38	570	PA2000LL67SA
PV2500LL777	2-1/2"	63	12.54	3.67	5.79	3.56	8.38	1000	PA2500LL777SA
PV3000LL87	3"	78	12.54	4.42	5.79	3.56	8.38	1270	PA3000LL87SA
PV3500LL97	3-1/2"	91	14.73	4.92	6.98	4.50	10.25	1900	PA3500LL97SA
PV4000LL107	4"	103	14.73	5.42	6.98	4.50	10.25	1900	PA4000LL107SA



### LR Form 7

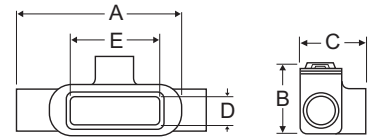
Item Number	Trade Size	Size Metric (mm)	A	B	C	D	E	Weight Per 100 (lbs)	Aluminum Item Number
PV0500LR17	1/2"	16	5.10	1.42	2.29	0.94	3.19	120	PA0500LR17SA
PV0700LR27	3/4"	21	5.98	1.67	2.49	1.13	3.81	160	PA0700LR27SA
PV1000LR37	1"	27	7.04	1.92	2.79	1.38	4.50	210	PA1000LR37SA
PV1200LR47	1-1/4"	35	7.79	2.35	3.23	1.75	5.00	300	PA1200LR47SA
PV1500LR57	1-1/2"	41	8.67	2.60	3.60	1.94	5.44	410	PA1500LR57SA
PV2000LR67	2"	53	10.17	3.17	4.17	2.44	6.38	570	PA2000LR67SA
PV2500LR777	2-1/2"	63	12.54	3.67	5.79	3.56	8.38	1000	PA2500LR777SA
PV3000LR87	3"	78	12.54	4.42	5.79	3.56	8.38	1270	PA3000LR87SA
PV3500LR97	3-1/2"	91	14.73	4.42	6.98	4.50	10.25	1900	PA3500LR97SA
PV4000LR107	4"	103	14.73	5.42	6.98	4.50	10.25	1900	PA4000LR107SA



## PVC COATED FORM 7 FITTINGS

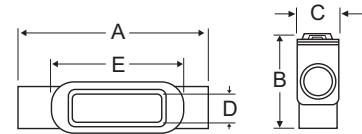
### T Form 7

Item Number	Trade Size	Size Metric (mm)	A	B	C	D	E	Weight Per 100 (lbs)	Aluminum Item Number
PV0500T17	1/2"	16	6.63	1.79	2.48	0.94	3.19	150	PA0500T17SA
PV0700T27	3/4"	21	7.75	2.04	2.67	1.13	3.81	210	PA0700T27SA
PV1000T37	1"	27	9.25	2.29	3.04	1.38	4.50	290	PA1000T37SA
PV1200T47	1-1/4"	35	9.94	2.35	3.23	1.75	5.00	360	PA1200T47SA
PV1500T57	1-1/2"	41	11.19	2.60	3.60	1.94	5.44	450	PA1500T57SA
PV2000T67	2"	53	13.19	3.17	4.17	2.44	6.38	650	PA2000T67SA
PV2500T77	2-1/2"	63	16.00	3.67	5.79	3.56	8.38	1070	PA2500T77SA
PV3000T87	3"	78	16.06	4.42	5.79	3.56	8.35	1540	PA3000T87SA
PV3500T97	3-1/2"	91	18.31	4.92	6.98	4.50	10.25	1900	PA3500T97SA
PV4000T107	4"	103	18.31	5.42	6.98	4.50	10.25	2100	PA4000T107SA



### TB Form 7

Item Number	Trade Size	Size Metric (mm)	A	B	C	D	E	Weight Per 100 (lbs)	Aluminum Item Number
PV0500TB17	1/2"	16	6.63	2.67	1.64	0.94	3.19	160	PA0500TB17SA
PV0700TB27	3/4"	21	7.75	2.92	1.83	1.13	3.81	210	PA0700TB27SA
PV1000TB37	1"	27	9.25	3.29	2.08	1.38	4.50	270	PA1000TB37SA
PV1200TB47	1-1/4"	35	9.94	3.35	2.27	1.75	5.00	370	PA1200TB47SA
PV1500TB57	1-1/2"	41	11.19	5.04	2.52	1.94	5.44	470	PA1500TB57SA
PV2000TB67	2"	53	13.19	6.17	3.08	2.44	6.38	700	PA2000TB67SA



### X Form 7

Item Number	Trade Size	Size Metric (mm)	A	B	C	D	E	Weight Per 100 (lbs)	Aluminum Item Number
PV0500X17	1/2"	16	6.63	3.35	1.79	0.94	3.19	170	PV0500X1700RM
PV0700X27	3/4"	21	7.75	3.54	2.04	1.13	3.81	240	PV0700X2700RM
PV1000X37	1"	27	9.25	4.04	2.29	1.38	4.50	270	PV1000X3700RM
PV1200X47	1-1/4"	35	9.94	4.17	2.35	1.75	5.00	360	PV1200X4700RM
PV1500X57	1-1/2"	41	11.19	4.67	2.60	1.94	5.44	500	PV1500X5700RM
PV2000X67	2"	53	13.19	5.23	3.17	2.44	6.38	750	PV2000X6700RM

