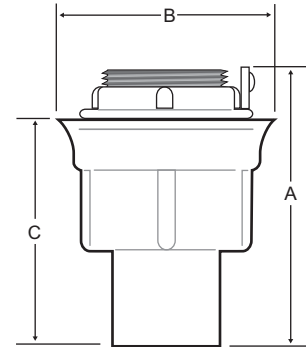


PVC COATED CONDUIT HUBS

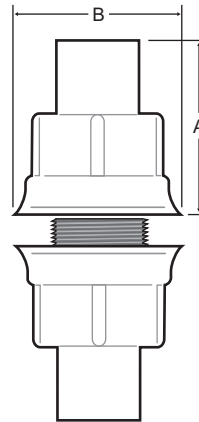
STG Grounding

Item Number	Trade Size	Weight Per 100 (lbs)	Aluminum Item Number
PV0500STG1	1/2"	20	PA0500STAG1
PV0700STG2	3/4"	30	PA0700STAG2
PV1000STG3	1"	40	PA1000STAG3
PV1200STG4	1-1/4"	40	PA1200STAG4
PV1500STG5	1-1/2"	60	PA1500STAG5
PV2000STG6	2"	120	PA2000STAG6
PV2500STG7	2-1/2"	150	PA2500STAG7
PV3000STG8	3"	210	PA3000STAG8
PV3500STG9	3-1/2"	300	PA3500STAG9
PV4000STG10	4"	350	PA4000STAG10
PV5000STG11	5"	540	PA5000STAG11
PV6000STG12	6"	690	PA6000STAG12



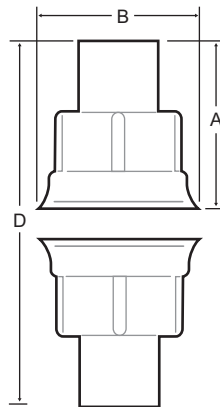
STTB

Item Number	Trade Size	Weight Per 100 (lbs)	Aluminum Item Number
PV0500STTB1	1/2"	50	PA0500STTBA1
PV0700STTB2	3/4"	50	PA0700STTBA2
PV1000STTB3	1"	70	PA1000STTBA3
PV1200STTB4	1-1/4"	100	PA1200STTBA4
PV1500STTB5	1-1/2"	120	PA1500STTBA5
PV2000STTB6	2"	170	PA2000STTBA6
PV2500STTB7	2-1/2"	250	PA2500STTBA7
PV3000STTB8	3"	300	PA3000STTBA8
PV3500STTB9	3-1/2"	420	PA3500STTBA9
PV4000STTB10	4"	590	PA4000STTBA10



STTTB

Item Number	Trade Size	Weight Per 100 (lbs)	Aluminum Item Number
PV0500STTTB1	1/2"	100	PA0500STTTBA1
PV0700STTTB2	3/4"	100	PA0700STTTBA2
PV1000STTTB3	1"	140	PA1000STTTBA3
PV1200STTTB4	1-1/4"	200	PA1200STTTBA4
PV1500STTTB5	1-1/2"	240	PA1500STTTBA5
PV2000STTTB6	2"	340	PA2000STTTBA6



* Unlimited Wall thickness - determined by nipple used