

Weatherproof Boxes, Covers, Lampholders and Lighting Fixtures

Non-Metallic Weatherproof Boxes, Covers and Lampholders

NEC/CEC:
Listed for Ordinary Locations

Applications

- Marine rated boxes and covers are ideal for use in highly corrosive areas, beaches, docks, pools, or other wet location areas.
- Use in branch circuit wiring for wet, damp or dry locations.
- May be used as a junction box or a device box for switches, receptacles, GFCI's etc.
- Lampholders are for use in exterior and interior applications to provide safety and security for driveways, doorways and walkways.

Features

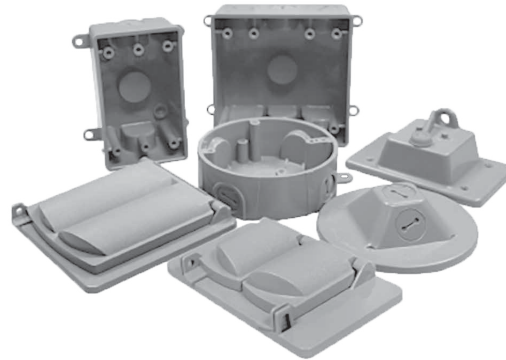
- Rugged PVC or polycarbonate construction prevents entry of dirt, dust and moisture.
- Resistant to impact, heat or low temperature distortion, and mold.
- Mounting can be achieved with formed in place mounting lugs.
- Smooth, accurately tapped hubs prevent wire abrasion.
- Clear UL marking and volumetric marking cast into each box facilitate electrical inspection.
- Continuous box and cover compression ensure complete sealing at gasket interface to prevent moisture entry.
- Lockable covers.
- Closure plugs (2) provided with each box.
- Remaining hubs are knockout (KO) design. No closure plugs required.
- Mounting hardware and gasket provided with each cover.
- Locking swivel knuckle on lampholders permits positive lamp positioning and accurate directional aiming.
- Lampholders are supplied with locknuts, porcelain sockets and internal gaskets for reliability and weather protection.
- Complete installation instructions provided with each item.

Standard Materials

- Boxes: PVC
- Covers: PVC or polycarbonate
- Cover screws: Nickel plated steel
- Gaskets: closed cell foam
- Sockets: porcelain (lampholders)

NEC/CEC Certifications and Compliances

- UL Standard: 514C, 514D, 1598 as applicable
- cULus Listed: E109438, E477255
- CSA Standard: C22.2 No. 18.2 (2008), C22.2 No. 42.1, C22.2 No. 42.1



Most of the boxes, covers and lampholders are individually shrink wrapped, labeled and bar coded for ease of handling and identification.




Sturdy corrugated boxes with easy lift-off top with shrink wrapping facilitate merchandising.

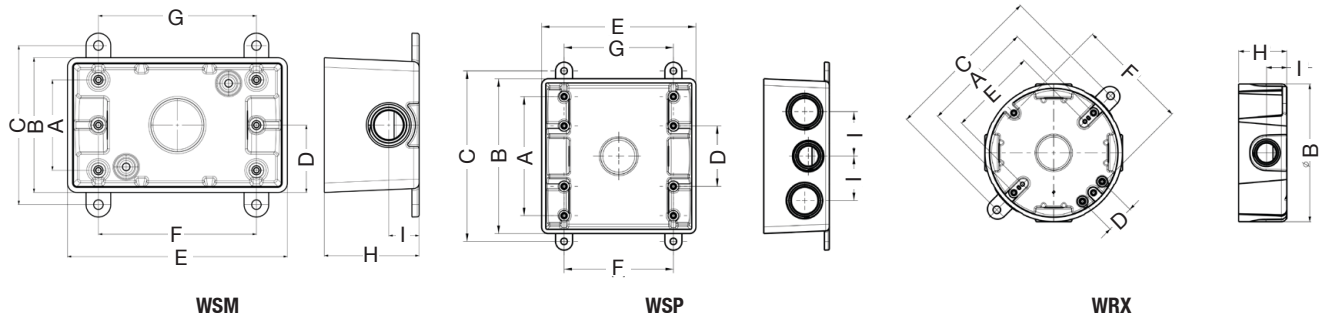
Weatherproof Boxes, Covers, Lampholders and Lighting Fixtures

Non-Metallic Weatherproof Boxes, Covers and Lampholders

Closure plugs and mounting lugs included.

NEC/CEC:
Listed for Ordinary Locations

| | Depth (Inches) | Wiring Cubic Inch Capacity | Hub Size (Inches) | No. Of Hubs | Color | Catalog Number |
|------------------------------------------------------------------------------------|----------------|----------------------------|-------------------|-------------|-------|----------------------|
|  | 2 | 16.3 | 1/2 | 3 | Gray | WSM150GNM ① |
| | 2 | 16.3 | 1/2 | 3 | White | WSM150WNM ① |
| PVC Material | | | | | | |
|  | 2 | 28.3 | 1/2 | 7 | Gray | WSP25075GNM ① |
| | 2 | 28.3 | 1/2 | 7 | White | WSP25075WNM ① |
| PVC Material | | | | | | |
|  | 1.5 | 14.8 | 1/2 | 5 | Gray | WRX50GNM ① |
| | 1.5 | 14.8 | 1/2 | 5 | White | WRX50WNM ① |
| PVC Material | | | | | | |



| Dimensions In Millimeters (Inches) | | | | | | | | | |
|------------------------------------|--------------|--------------|-------------|--------------|--------------|-------------|-------------|-------------|--------------------|
| A | B | C | D | E | F | G | H | I | Catalog Number |
| 47.63 (1.87) | 71.00 (2.8) | 83.80 (3.3) | 35.50 (1.4) | 116.00 (4.6) | 82.55 (3.25) | 83.34 (3.3) | 50.00 (2.0) | 16.00 (0.6) | WSM150GNM |
| 47.63 (1.87) | 71.00 (2.8) | 83.80 (3.3) | 35.50 (1.4) | 116.00 (4.6) | 82.55 (3.25) | 83.34 (3.3) | 50.00 (2.0) | 16.00 (0.6) | WSM150WNM |
| 90.50 (3.6) | 117.70 (4.6) | 129.60 (5.1) | 46.00 (1.8) | 117.70 (4.6) | 82.55 (3.1) | 83.34 (3.3) | — | 33.80 (1.3) | WSP25075GNM |
| 90.50 (3.6) | 117.70 (4.6) | 129.60 (5.1) | 46.00 (1.8) | 117.70 (4.6) | 82.55 (3.1) | 83.34 (3.3) | — | 33.80 (1.3) | WSP25075WNM |
| 88.90 (3.5) | 108.60 (4.3) | 127.00 (5.0) | 22.00 (0.9) | 69.85 (2.8) | 88.90 (3.5) | — | 38.00 (1.5) | 16.00 (0.6) | WRX50GNM |
| 88.90 (3.5) | 108.60 (4.3) | 127.00 (5.0) | 22.00 (0.9) | 69.85 (2.8) | 88.90 (3.5) | — | 38.00 (1.5) | 16.00 (0.6) | WRX50WNM |

① UL Listed Marine.