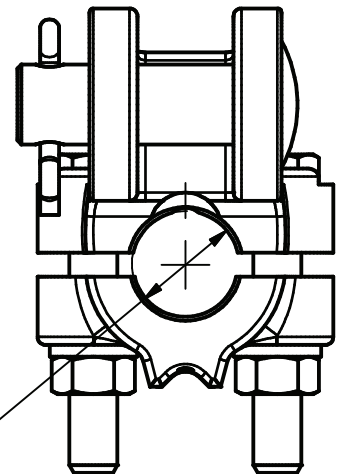
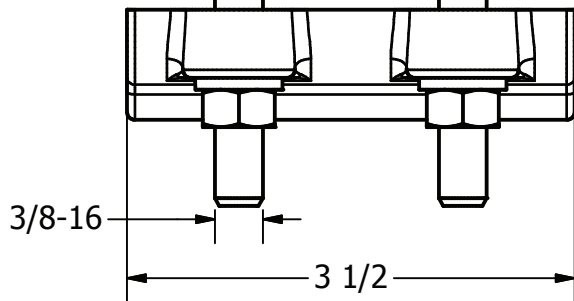
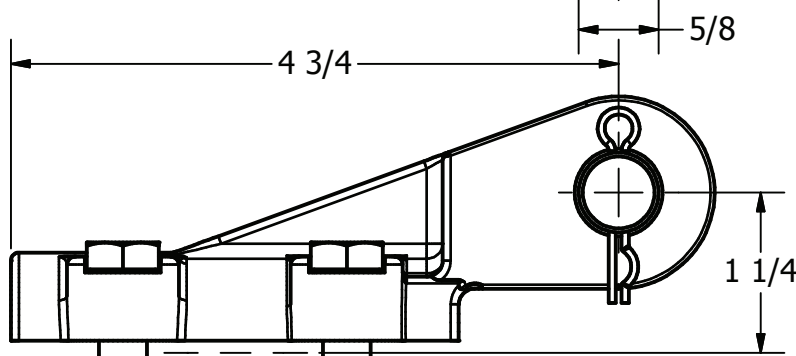
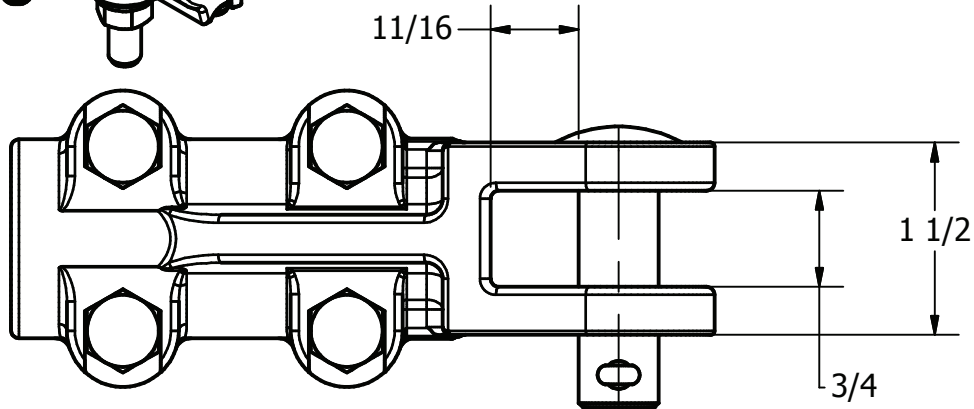
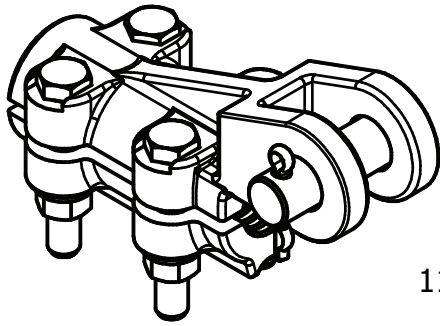


ITEM NO

DWG NO  
D-6764

THIS DRAWING AND ALL INFORMATION ON IT IS THE PROPERTY OF AFL. IT IS CONFIDENTIAL AND IT IS GIVEN TO YOU FOR A LIMITED PURPOSE AND MUST BE RETURNED UPON REQUEST. NEITHER THIS DRAWING OR ANY PART OF IT NOR ANY INFORMATION CONCERNING IT MAY BE COPIED, EXHIBITED, OR FURNISHED TO OTHERS NOR PHOTOGRAPHS TAKEN OF ANY ARTICLE FABRICATED OR ASSEMBLED FROM THE DRAWING WITHOUT THE CONSENT OF AFL.



**MATERIAL:**  
ALUMINUM BRONZE ASTM B30

BOLTS, NUTS, & LOCK WASHERS -EVERDUR  
CLEVIS PIN-GALVANIZED STEEL  
COTTER KEY-STAINLESS STEEL

**CABLE RANGE**  
MIN. 1/0 SOL CU (.325 DIA.)  
MAX.500 MCM (.814 DIA.)

3.19 LBS

LOCATION					CONTRACT NO		CUST / CONTR	
REVISIONS								
REV	DESCRIPTION	DATE	BY	APR	CLAMP, FEEDER CABLE STRAIN			
2	RE-DRAWN IN INVENTOR	2-9-10	LK	EP				
DRN BY: ES DRN DATE: 3-7-88 CHK BY: HJ CHK DATE: 3-7-88					REV	SEC50-4B-63		1 OF 1
					2			