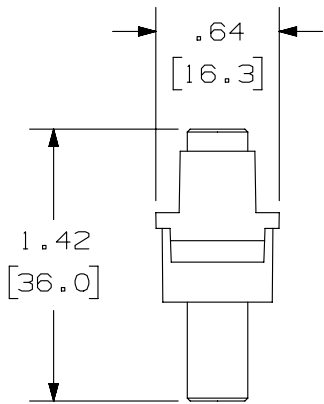
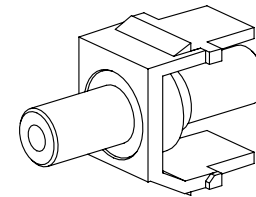
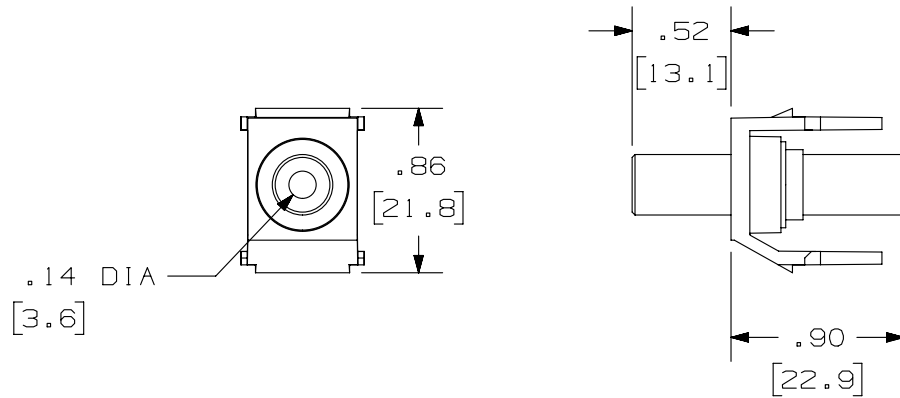


THIS COPY IS PROVIDED ON A RESTRICTED BASIS AND IS NOT TO BE USED IN ANY WAY DETRIMENTAL TO THE INTERESTS OF PANDUIT CORP.



PANDUIT P/N	WEIGHT
NK35MSC**	.23 LB/10 PCS (105.1g/10 PCS)

- NOTES:
- SEE CURRENT CATALOG FOR ADDITIONAL PART NUMBER SUFFIXES TO INDICATE COLOR AND OR PACKAGE QUANTITY.
 - SEE CATALOG FOR COMPLETE LIST OF PARTS APPLICABLE FOR USE WITH THIS PART.
 - DIMENSIONS IN PARENTHESES ARE IN METRIC.
 - PART INCLUDES:
 1- KEYSTONE MODULE BASE
 1- 3.5mm (1/8") HEADPHONE JACK COUPLER (ASSEMBLED TO MODULE BASE)



PART NUMBER		NK35MSC**	
TITLE			
NETKEY 3.5MM (1/8") HEADPHONE JACK COUPLER MODULE			
CUSTOMER DRAWING			
ITEM REVISION NAME		M02201AD/00	
DATASET FILE NAME		M02201AD_DC12/00B	
UNLESS OTHERWISE SPECIFIED, DIMENSIONAL TOLERANCES ARE: IN (mm)		MATERIAL:	
.x ± .xxx ± .010 [.3]		MODULE: ABS	
.xx ± .03 [.8] ANGLES ±		DRAWING NUMBER:	
		02201-12	
DRAWN BY	DATE	CHK	SCALE
JSP	4-13-05	EB	NONE
REV	DATE	BY	CHK
1	5-09-14	MDJR	REFR
R	4-13-05	JSP	EB
APR	DESCRIPTION		ECN
	A. UPDATED TITLE BLOCK.		02201-12
	RELEASED TO PRODUCTION		02201-12
SHT 1 OF 1		SIZE A	

D101000DA/14

2

1

2

1