



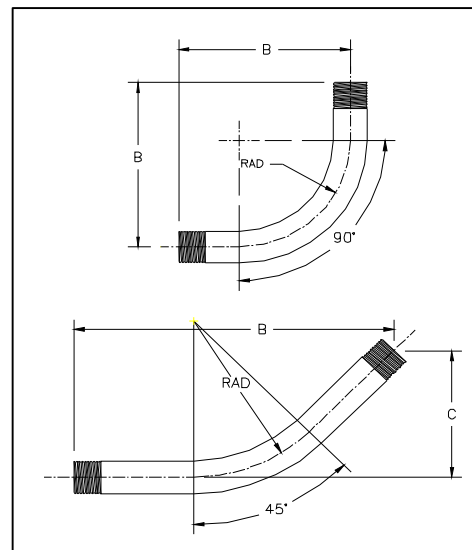
## CONDUIT 90° & 45° ELBOWS

**RIGID METAL - Galvanized Steel, Aluminum and  
Stainless Steel 304**

**IMC - Galvanized Steel**

Standard Radius				
Size	Radius	45°		
		B dim.	B dim	C dim
1/2	4	6-3/16	7-13/16	3-1/4
3/4	4-1/2	6-3/4	8-11/16	3-5/8
1	5-3/4	8-5/8	9-3/16	3-13/16
1-1/4	7-1/4	10-1/16	10-11/16	4-7/16
1-1/2	8-1/4	11-9/16	11-13/16	4-7/8
2	9-1/2	14-1/16	14-7/8	6-1/8
2-1/2	10-1/2	16	18-5/16	7-9/16
3	13	18-13/16	20-9/16	8-1/2
3-1/2	15	22-3/16	23-3/16	9-5/8
4	16	23-15/16	24-1/2	10-1/8
5	24	36-1/8	38-1/4	15-7/8
6	30	41-15/16	42	17-3/8

Special Radius				
Radius	Sizes Available	45°		
		B dim.	B dim	C dim
12	1 - 2-1/2	21	23-7/8	9-7/8
15	1 - 3	24	26	10-3/4
18	1 - 4	28	29-3/4	12-3/8
24	1 - 5	35	35-3/4	14-13/16
30	1 - 5	41	40	16-9/16
36	1 - 6	47	44-1/4	18-5/16
42	1 - 6	54	50-1/8	20-13/16
48	1 - 6	60	54-3/8	22-9/16



**Notes:**

- Galvanized Rigid Metal Elbows meet UL6 and ANSI C80.1
- Aluminum Rigid Metal Elbows meet UL6A and ANSI C80.5
- Stainless Steel Rigid Metal Elbows meet UL6A
- Galvanized IMC Elbows meet UL1242 and ANSI C80.6
- 5" and 6" size Elbows available only in Rigid Galvanized Steel and Aluminum
- Stainless Steel 316 Elbows available upon request
- 11-1/4°, 15°, 22-1/2°, 30° and 60° Elbows also available

**Conduit Pipe Products Company**  
A Member of The Phoenix Forge Group

1501 West Main Street  
West Jefferson, OH 43162

Phone: 614 879-9114  
Toll Free: 800 848-6125  
Fax: 614 879-5185  
Website: [www.conduitpipe.com](http://www.conduitpipe.com)



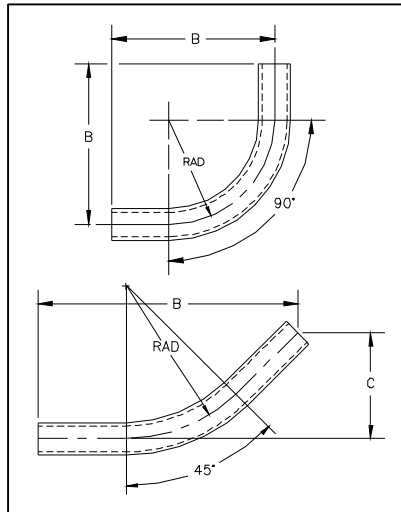
# CONDUIT pipe products

## CONDUIT 90° & 45° ELBOWS

EMT

Standard Radius				
Size	Radius	90°		45°
		B dim.	B dim	C dim
1/2	4	6-3/16	7	2-7/8
3/4	4-1/2	6-11/16	7-7/8	3-1/4
1	5-3/4	8-9/16	8-15/16	3-11/16
1-1/4	7-1/4	9-15/16	9-11/16	4
1-1/2	8-1/4	11-1/2	11-3/8	4-11/16
2	9-1/2	14-1/16	14	5-13/16
2-1/2	10-1/2	16	19-3/8	8
3	13	18-13/16	22	9-1/8
3-1/2	15	23	23-13/16	9-7/8
4	16	24-7/16	25-1/16	10-3/8

Special Radius				
Radius	Sizes Available	90°		45°
		B dim.	B dim	C dim
18	1 - 4	28	29-3/4	12-3/8
24	1 - 4	35	35-3/4	14-13/16
30	1 - 4	41	40	16-9/16
36	1 - 4	47	44-1/4	18-5/16
42	1 - 4	54	50-1/8	20-13/16
48	1 - 4	60	54-3/8	22-9/16

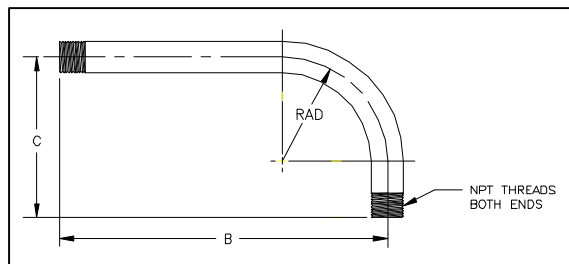


Notes:  
EMT Elbows meet UL797 and ANSI C80.3  
11-1/4°, 15°, 22-1/2°, 30° and 60° Elbows also available

## YARD LIGHTS

Galvanized Steel

Size	Radius	B dim	C dim
1/2	4	18	6-3/16
3/4	4-1/2	18	6-3/4
1	5-3/4	18	8-5/8
1-1/4	7	19-1/4	10-1/4
1-1/2	8-1/4	20-1/2	11-5/8
2	9-1/2	21-1/2	14-1/2
2-1/2	10-1/2	22-1/2	16
3	13	25	19-1/4
3-1/2	15	27	22-3/4
4	16	28	24



### Conduit Pipe Products Company

A Member of The Phoenix Forge Group

1501 West Main Street  
West Jefferson, OH 43162

Phone: 614 879-9114

Toll Free: 800 848-6125

Fax: 614 879-5185

Website: [www.conduitpipe.com](http://www.conduitpipe.com)

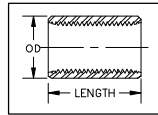


# CONDUIT pipe products

## CONDUIT COUPLINGS

Galvanized Steel, Aluminum and Stainless Steel 304

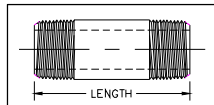
Size	Threads per inch	OD	Min. Length
1/2	14	1.010	1-5/8
3/4	14	1.250	1-41/64
1	11-1/2	1.525	1-31/32
1-1/4	11-1/2	1.869	2-1/32
1-1/2	11-1/2	2.155	2-1/16
2	11-1/2	2.650	2-1/8
2-1/2	8	3.250	3-3/16
3	8	3.870	3-5/16
3-1/2	8	4.500	3-13/32
4	8	4.875	3-33/64
5	8	6.000	3-61/64
6	8	7.100	4-1/4



Notes:  
Galvanized Couplings meet UL6 and C80.1  
Stainless Steel 304 Couplings meet UL6A  
Stainless Steel 304 Couplings available only upto 4" size  
OD for Stainless Steel Couplings may be larger than shown

## CONDUIT NIPPLES

Galvanized Steel, Aluminum and Stainless Steel 304

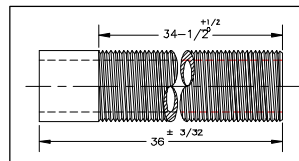


Size	Close Length	Length												
		1-1/2	2	2-1/2	3	3-1/2	4	4-1/2	5	5-1/2	6	8	10	12
1/2	1-1/8													
3/4	1-3/8													
1	1-1/2													
1-1/4	1-5/8													
1-1/2	1-3/4													
2	2													
2-1/2	2-1/2													
3	2-5/8													
3-1/2	2-3/4													
4	2-7/8													
5	3													
6	3-1/8													

Notes:  
Sizes shown in yellow are available from stock  
Lengths longer than 12" and Special Threading available upon request  
Both ends NPT threads conform to ANSI B1.20.1

## RUNNING THREAD

Size	Threads per inch	OD
1/2	14	0.823
3/4	14	1.034
1	11-1/2	1.293
1-1/4	11-1/2	1.638
1-1/2	11-1/2	1.877
2	11-1/2	2.351
2-1/2	8	2.841
3	8	3.467
3-1/2	8	3.968
4	8	4.466
5	8	5.528
6	8	6.585



Notes:  
Running Threads have NPSM Threads  
Running Threads are Galvanized

**Conduit Pipe Products Company**  
A Member of The Phoenix Forge Group  
1501 West Main Street  
West Jefferson, OH 43162

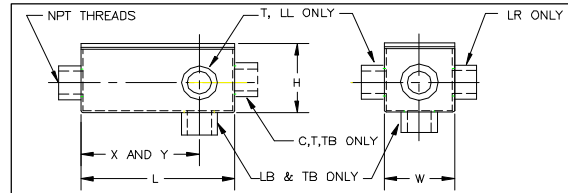
Phone: 614 879-9114  
Toll Free: 800 848-6125  
Fax: 614 879-5185  
Website: [www.conduitpipe.com](http://www.conduitpipe.com)



## CONDUIT BODIES

Stainless Steel 304

Size	L	W	H	X	Y
1/2 - 3/4	4.500	2.000	2.180	2.250	3.380
3/4	6.000	2.250	2.430	3.000	4.756
1-1/4 - 1-1/2	8.000	2.750	2.930	4.000	6.443
2	10.000	3.250	3.430	5.000	8.193
2-1/2 - 3	11.375	4.375	4.555	5.687	8.943
4	14.000	5.375	5.555	7.000	11.066



### Notes:

The Hubs have NPT threads.

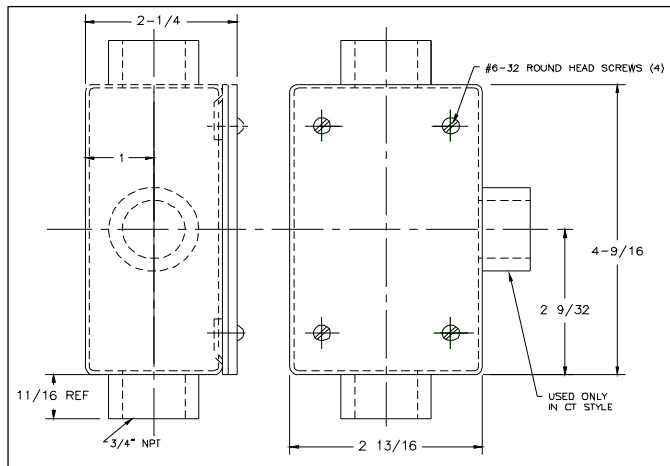
Conduit Bodies are water tight in sizes 2" and under

X dimension applies only to Styles C, T and TB

Y dimension applies only to Styles LB, LL and LR

## CONDUIT FS BODIES

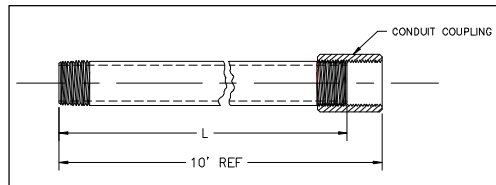
Stainless Steel 304



## 10' CONDUITS WITH COUPLING

Stainless Steel 304 Conduit and Coupling

Size	L dim
1/2	9' 11-1/4"
3/4	9' 11-1/4"
1	9' 11"
1-1/4	9' 11"
1-1/2	9' 11"
2	9' 11"
2-1/2	9' 10-1/2"
3	9' 10-1/2"
4	9' 10-1/4"



### Notes:

Galvanized 10' Conduits with Coupling meet UL6 and ANSI C80.1

Stainless Steel 10' Conduits with Coupling meet UL6A and ANSI C80.5

## Conduit Pipe Products Company

A Member of The Phoenix Forge Group

1501 West Main Street  
West Jefferson, OH 43162

Phone: 614 879-9114

Toll Free: 800 848-6125

Fax: 614 879-5185

Website: [www.conduitpipe.com](http://www.conduitpipe.com)