

Type 1 Screw Cover Enclosures - Painted & Galvanized

Data Sheet



Application

- Used as wiring boxes, junction and pull boxes
- Protects against contact with enclosed equipment

Construction

- Enclosure and cover are fabricated from code gauge steel or galvanized steel, (see table)
- Enclosure body has mounting holes on the back
- Enclosures are available with or without knockouts on the sides, top and bottom ends
- Cover is secured to the body with plated screws
- Keyhole slots provided in the cover allow easy access to the inside without removing the screws
- #10-32 tapped hole provision for optional ground lug kit

Finish

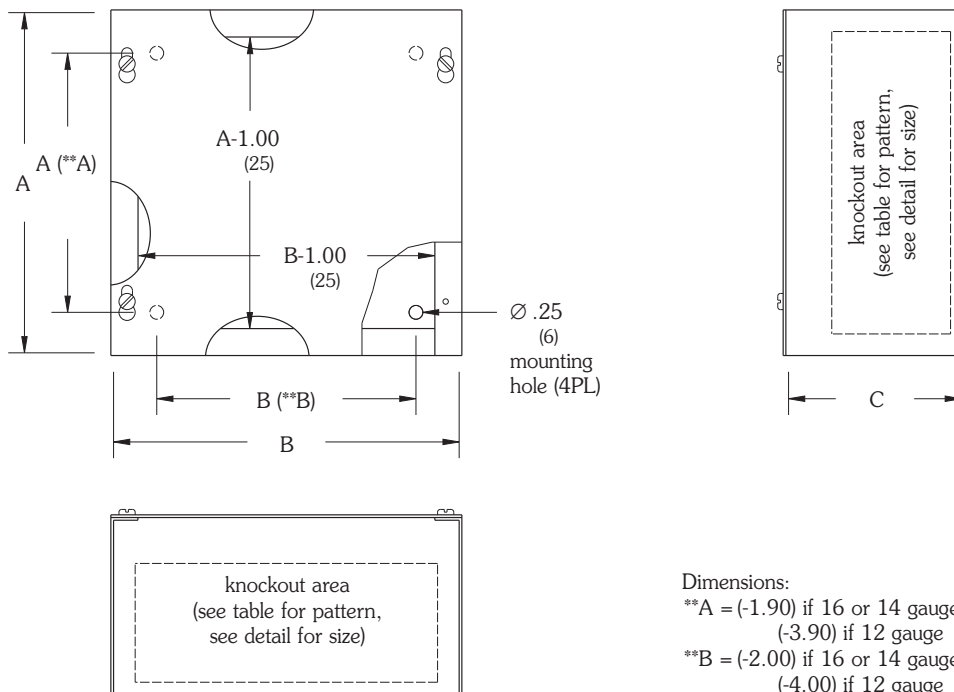
- Wash and phosphate undercoat or galvanized steel
- ANSI 61 gray acrylic electrocoat finish

Standards

- UL 50 listed, Type 1
- CSA C22.2 No. 40 certified, Type 1
- Conforms to NEMA standard for Type 1
- IEC 60529, IP30

Accessories

- Ground lug kit
- Touch-up paint
- See Accessories section



Dimensions:

**A = (-1.90) if 16 or 14 gauge
(-3.90) if 12 gauge

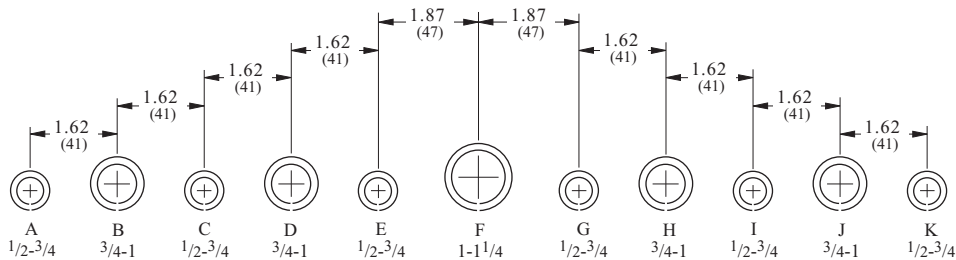
**B = (-2.00) if 16 or 14 gauge
(-4.00) if 12 gauge

Type 1 Screw Cover Enclosures - Painted & Galvanized

Catalog Number

Type 1 Enclosures

Enclosure Catalog Number				Enclosure Size		Gauge	Knockout Pattern	Knockout Pattern
Painted		Galvanized		Height x Width x Depth				
KO	No KO	KO	No KO	A x B x C	in.			
663 SC	663 SC NK	663 SCGV	663 SCGV NK	6.00x6.00x3.00	152x152x76	16	CDE	CDE
444 SC	444 SC NK	444 SCGV	444 SCGV NK	4.00x4.00x4.00	102x102x102	16	CD	CD
644 SC	644 SC NK	644 SCGV	644 SCGV NK	6.00x4.00x4.00	152x102x102	16	CDE	CD
664 SC	664 SC NK	664 SCGV	664 SCGV NK	6.00x6.00x4.00	152x152x102	16	CDE	CDE
864 SC	864 SC NK	864 SCGV	864 SCGV NK	8.00x6.00x4.00	203x152x102	16	GHIJ	CDE
884 SC	884 SC NK	884 SCGV	884 SCGV NK	8.00x8.00x4.00	203x203x102	16	GHIJ	GHIJ
1084 SC	1084 SC NK	1084 SCGV	1084 SCGV NK	10.00x8.00x4.00	254x203x102	16	GHIJ	GHIJ
10104 SC	10104 SC NK	10104 SCGV	10104 SCGV NK	10.00x10.00x4.00	254x254x102	16	DEFGH	DEFGH
1264 SC	1264 SC NK	1264 SCGV	1264 SCGV NK	12.00x6.00x4.00	305x152x102	16	DEFGH	CDE
1284 SC	1284 SC NK	1284 SCGV	1284 SCGV NK	12.00x8.00x4.00	305x203x102	16	DEFGH	GHIJ
12104 SC	12104 SC NK	12104 SCGV	12104 SCGV NK	12.00x10.00x4.00	305x254x102	16	DEFGH	DEFGH
12124 SC	12124 SC NK	12124 SCGV	12124 SCGV NK	12.00x12.00x4.00	305x305x102	16	DEFGH	DEFGH
15124 SC	15124 SC NK	15124 SCGV	15124 SCGV NK	15.00x12.00x4.00	381x305x102	16	CDEFGHI	DEFGH
15154 SC	15154 SC NK	15154 SCGV	15154 SCGV NK	15.00x15.00x4.00	381x381x102	16	CDEFGHI	CDEFGHI
16124 SC	16124 SC NK	16124 SCGV	16124 SCGV NK	16.00x12.00x4.00	406x305x102	16	CDEFGHI	DEFGH
16164 SC	16164 SC NK	16164 SCGV	16164 SCGV NK	16.00x16.00x4.00	406x406x102	16	CDEFGHI	CDEFGHI
18124 SC	18124 SC NK	18124 SCGV	18124 SCGV NK	18.00x12.00x4.00	457x305x102	16	BCDEFGHIJ	DEFGH
18154 SC	18154 SC NK	18154 SCGV	18154 SCGV NK	18.00x15.00x4.00	457x381x102	16	BCDEFGHIJ	BCDEFGHIJ
18184 SC	18184 SC NK	18184 SCGV	18184 SCGV NK	18.00x18.00x4.00	457x457x102	16	BCDEFGHIJ	BCDEFGHIJ
24124 SC	24124 SC NK	24124 SCGV	24124 SCGV NK	24.00x12.00x4.00	610x305x102	16	BCDEFGHIJ	DEFGH
24184 SC	24184 SC NK	24184 SCGV	24184 SCGV NK	24.00x18.00x4.00	610x457x102	16	BCDEFGHIJ	BCDEFGHIJ
24244 SC	24244 SC NK	24244 SCGV	24244 SCGV NK	24.00x24.00x4.00	610x610x102	14	BCDEFGHIJ	BCDEFGHIJ
30184 SC	30184 SC NK	30184 SCGV	30184 SCGV NK	30.00x18.00x4.00	762x457x102	16	BCDEFGHIJ	BCDEFGHIJ
30244 SC	30244 SC NK	30244 SCGV	30244 SCGV NK	30.00x24.00x4.00	762x610x102	14	BCDEFGHIJ	BCDEFGHIJ
36244 SC	36244 SC NK	36244 SCGV	36244 SCGV NK	36.00x24.00x4.00	914x762x102	14	BCDEFGHIJ	BCDEFGHIJ
-	30304 SC NK	-	30304 SCGV NK	30.00x30.00x4.00	762x762x102	12	-	-
-	36304 SC NK	-	36304 SCGV NK	36.00x30.00x4.00	914x762x102	12	-	-
-	36364 SC NK	-	36364 SCGV NK	36.00x36.00x4.00	914x914x102	12	-	-
-	48364 SC NK	-	48364 SCGV NK	48.00x36.00x4.00	1219x914x102	12	-	-
-	48484 SC NK	-	48484 SCGV NK	48.00x48.00x4.00	1219x1219x102	10	-	-



Conduit Sizes

Knockout Detail

Note: See table for applicable knockout pattern.

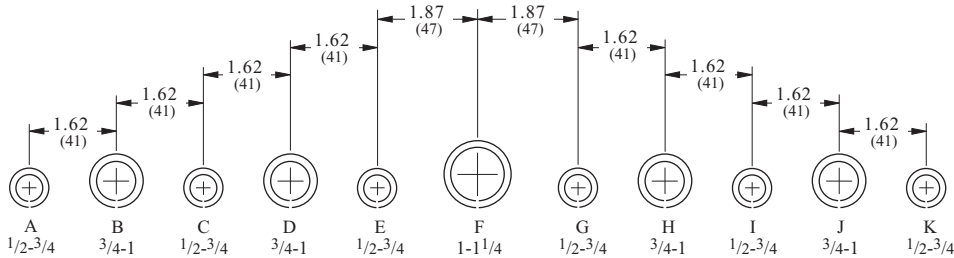
Notes: Dimensions are in inches. Millimeters shown are for reference only. Data subject to change without notice.

Type 1 Screw Cover Enclosures - Painted & Galvanized

Catalog Number

Type 1 Enclosures

Enclosure Catalog Number				Enclosure Size		Gauge	Knockout Pattern	Knockout Pattern
Painted		Galvanized		Height x Width x Depth	A x B x C			
KO	No KO	KO	No KO	in.	mm			
666 SC	666 SC NK	666 SCGV	666 SCGV NK	6.00x6.00x6.00	152x152x152	16	CDE	CDE
866 SC	866 SC NK	866 SCGV	866 SCGV NK	8.00x6.00x6.00	203x152x152	16	GHIJ	CDE
886 SC	886 SC NK	886 SCGV	886 SCGV NK	8.00x8.00x6.00	203x203x152	16	GHIJ	GHIJ
1086 SC	1086 SC NK	1086 SCGV	1086 SCGV NK	10.00x8.00x6.00	254x203x152	16	DEFGH	GHIJ
10106 SC	10106 SC NK	10106 SCGV	10106 SCGV NK	10.00x10.00x6.00	254x254x152	16	DEFGH	DEFGH
1266 SC	1266 SC NK	1266 SCGV	1266 SCGV NK	12.00x6.00x6.00	305x152x152	16	DEFGH	CDE
1286 SC	1286 SC NK	1286 SCGV	1286 SCGV NK	12.00x8.00x6.00	305x203x152	16	DEFGH	GHIJ
12106 SC	12106 SC NK	12106 SCGV	12106 SCGV NK	12.00x10.00x6.00	305x254x152	16	DEFGH	DEFGH
12126 SC	12126 SC NK	12126 SCGV	12126 SCGV NK	12.00x12.00x6.00	305x305x152	16	DEFGH	DEFGH
15126 SC	15126 SC NK	15126 SCGV	15126 SCGV NK	15.00x12.00x6.00	381x305x152	16	CDEFGHI	DEFGH
15156 SC	15156 SC NK	15156 SCGV	15156 SCGV NK	15.00x15.00x6.00	381x381x152	16	CDEFGHI	CDEFGHI
16126 SC	16126 SC NK	16126 SCGV	16126 SCGV NK	16.00x12.00x6.00	406x305x152	16	CDEFGHI	DEFGH
16166 SC	16166 SC NK	16166 SCGV	16166 SCGV NK	16.00x16.00x6.00	406x406x152	16	CDEFGHI	BCDEFGHIJ
18126 SC	18126 SC NK	18126 SCGV	18126 SCGV NK	18.00x12.00x6.00	457x305x152	16	BCDEFGHIJ	DEFGH
18156 SC	18156 SC NK	18156 SCGV	18156 SCGV NK	18.00x15.00x6.00	457x381x152	16	BCDEFGHIJ	CDEFGHI
18186 SC	18186 SC NK	18186 SCGV	18186 SCGV NK	18.00x18.00x6.00	457x457x152	16	BCDEFGHIJ	BCDEFGHIJ
24126 SC	24126 SC NK	24126 SCGV	24126 SCGV NK	24.00x12.00x6.00	610x305x152	16	BCDEFGHIJ	DEFGH
24186 SC	24186 SC NK	24186 SCGV	24186 SCGV NK	24.00x18.00x6.00	610x457x152	16	BCDEFGHIJ	BCDEFGHIJ
24246 SC	24246 SC NK	24246 SCGV	24246 SCGV NK	24.00x24.00x6.00	610x610x152	14	BCDEFGHIJ	BCDEFGHIJ
30186 SC	30186 SC NK	30186 SCGV	30186 SCGV NK	30.00x18.00x6.00	762x457x152	16	BCDEFGHIJ	BCDEFGHIJ
30246 SC	30246 SC NK	30246 SCGV	30246 SCGV NK	30.00x24.00x6.00	762x610x152	14	BCDEFGHIJ	BCDEFGHIJ
-	30306 SC NK	-	30306 SCGV NK	30.00x30.00x6.00	762x762x152	12	-	-
36246 SC	36246 SC NK	36246 SCGV	36246 SCGV NK	36.00x24.00x6.00	914x310x152	14	BCDEFGHIJ	BCDEFGHIJ
-	36306 SC NK	-	36306 SCGV NK	36.00x30.00x6.00	914x762x152	12	-	-
-	36366 SC NK	-	36366 SCGV NK	36.00x36.00x6.00	914x914x152	12	-	-
-	48366 SC NK	-	48366 SCGV NK	48.00x36.00x6.00	1219x914x152	12	-	-
-	48486 SC NK	-	48486 SCGV NK	48.00x48.00x6.00	1219x1219x152	12	-	-
888 SC	888 SC NK	888 SCGV	888 SCGV NK	8.00x8.00x8.00	203x203x203	16	GHIJ	GHIJ
12128 SC	12128 SC NK	12128 SCGV	12128 SCGV NK	12.00x12.00x8.00	305x305x203	16	DEFGH	DEFGH
16128 SC	16128 SC NK	16128 SCGV	16128 SCGV NK	16.00x12.00x8.00	406x305x203	16	CDEFGHI	DEFGH
18128 SC	18128 SC NK	18128 SCGV	18128 SCGV NK	18.00x12.00x8.00	457x305x203	16	BCDEFGHIJ	DEFGH
18188 SC	18188 SC NK	18188 SCGV	18188 SCGV NK	18.00x18.00x8.00	457x457x203	16	BCDEFGHIJ	BCDEFGHIJ
24128 SC	24128 SC NK	24128 SCGV	24128 SCGV NK	24.00x12.00x8.00	610x305x203	16	BCDEFGHIJ	DEFGH
24188 SC	24188 SC NK	24188 SCGV	24188 SCGV NK	24.00x18.00x8.00	610x457x203	16	BCDEFGHIJ	BCDEFGHIJ
24248 SC	24248 SC NK	24248 SCGV	24248 SCGV NK	24.00x24.00x8.00	610x610x203	14	BCDEFGHIJ	BCDEFGHIJ
30248 SC	30248 SC NK	30248 SCGV	30248 SCGV NK	30.00x24.00x8.00	762x610x203	14	BCDEFGHIJ	BCDEFGHIJ
-	30308 SC NK	-	30308 SCGV NK	30.00x30.00x8.00	762x762x203	12	-	-
36248 SC	36248 SC NK	36248 SCGV	36248 SCGV NK	36.00x24.00x8.00	914x610x203	14	BCDEFGHIJ	BCDEFGHIJ



Conduit Sizes

Knockout Detail

Note: See table for applicable knockout pattern.

Notes: Dimensions are in inches. Millimeters shown are for reference only. Data subject to change without notice.

Type 1 Screw Cover Enclosures - Painted & Galvanized

Catalog Number

Type 1 Enclosures

Enclosure Catalog Number				Enclosure Size		Gauge	Knockout Pattern Each Side	Knockout Pattern Top & Bottom
Painted		Galvanized		Height x Width x Depth A x B x C				
KO	No KO	KO	No KO	in.	mm			
121210 SC	121210 SC NK	121210 SCGV	121210 SCGV NK	12.00x12.00x10.00	305x305x254	16	(D E F G H)	(D E F G H)
181210 SC	181210 SC NK	181210 SCGV	181210 SCGV NK	18.00x12.00x10.00	457x305x254	16	(B C D E F G H I J)	(D E F G H)
181810 SC	181810 SC NK	181810 SCGV	181810 SCGV NK	18.00x18.00x10.00	457x457x254	16	(B C D E F G H I J)	(B C D E F G H I J)
241210 SC	241210 SC NK	241210 SCGV	241210 SCGV NK	24.00x12.00x10.00	610x305x254	16	(B C D E F G H I J)	(D E F G H)
241810 SC	241810 SC NK	241810 SCGV	241810 SCGV NK	24.00x18.00x10.00	610x457x254	16	(B C D E F G H I J)	(B C D E F G H I J)
242410 SC	242410 SC NK	242410 SCGV	242410 SCGV NK	24.00x24.00x10.00	610x610x254	14	(B C D E F G H I J)	(B C D E F G H I J)
302410 SC	302410 SC NK	302410 SCGV	302410 SCGV NK	30.00x24.00x10.00	762x610x254	14	(B C D E F G H I J)	(B C D E F G H I J)
-	303010 SC NK	-	303010 SCGV NK	30.00x30.00x10.00	762x762x254	12	-	-
362410 SC	362410 SC NK	362410 SCGV	362410 SCGV NK	36.00x24.00x10.00	914x610x254	14	(B C D E F G H I J)	(B C D E F G H I J)
181812 SC	181812 SC NK	181812 SCGV	181812 SCGV NK	18.00x18.00x12.00	457x457x305	16	(B C D E F G H I J)	(B C D E F G H I J)
241212 SC	241212 SC NK	241212 SCGV	241212 SCGV NK	24.00x12.00x12.00	610x305x305	16	(B C D E F G H I J)	(D E F G H)
241812 SC	241812 SC NK	241812 SCGV	241812 SCGV NK	24.00x18.00x12.00	610x457x305	16	(B C D E F G H I J)	(B C D E F G H I J)
242412 SC	242412 SC NK	242412 SCGV	242412 SCGV NK	24.00x24.00x12.00	610x610x305	14	(B C D E F G H I J)	(B C D E F G H I J)
302412 SC	302412 SC NK	302412 SCGV	302412 SCGV NK	30.00x24.00x12.00	762x610x305	14	(B C D E F G H I J)	(B C D E F G H I J)
-	303012 SC NK	-	303012 SCGV NK	30.00x30.00x12.00	762x762x305	12	-	-
362412 SC	362412 SC NK	362412 SCGV	362412 SCGV NK	36.00x24.00x12.00	914x610x305	14	(B C D E F G H I J)	(B C D E F G H I J)
-	363612 SC NK	-	363612 SCGV NK	36.00x36.00x12.00	914x914x305	12	-	-

Type 1 Flush & Surface Covers - Painted & Galvanized

Catalog Number

Optional Flush Covers		Flush Cover Size		Fits Enclosure		Gauge	Replacement Surface Covers		Surface Cover Size		Fits Enclosure		Gauge
Catalog Number		in.	mm	A x B			Catalog Number		in.	mm	A x B		
Painted	Galvanized			in.	mm		Painted	Galvanized			in.	mm	
44 SCF	44 SCFGV	5.50x5.50	140x140	4.00x4.00	102x102	16	44 SCS	44 SCSGV	4.09x4.09	104x104	4.00x4.00	102x102	16
64 SCF	64 SCFGV	7.50x5.50	191x140	6.00x4.00	152x102	16	64 SCS	64 SCSGV	6.09x4.09	155x104	6.00x4.00	152x102	16
66 SCF	66 SCFGV	7.50x7.50	191x191	6.00x6.00	152x152	16	66 SCS	66 SCSGV	6.09x6.09	155x155	6.00x6.00	152x152	16
86 SCF	86 SCFGV	9.50x7.50	241x191	8.00x6.00	203x152	16	86 SCS	86 SCSGV	8.09x6.09	205x155	8.00x6.00	203x152	16
88 SCF	88 SCFGV	9.50x9.50	241x241	8.00x8.00	203x203	16	88 SCS	88 SCSGV	8.09x8.09	205x205	8.00x8.00	203x203	16
108 SCF	108 SCFGV	11.50x9.50	292x241	10.00x8.00	254x203	16	108 SCS	108 SCSGV	10.09x8.09	256x205	10.00x8.00	254x203	16
1010 SCF	1010 SCFGV	11.50x11.50	292x292	10.00x10.00	254x254	16	1010 SCS	1010 SCSGV	10.09x10.09	256x256	10.00x10.00	254x254	16
126 SCF	126 SCFGV	13.50x7.50	343x191	12.00x6.00	305x152	16	126 SCS	126 SCSGV	12.09x6.09	307x155	12.00x6.00	305x152	16
128 SCF	128 SCFGV	13.50x11.50	343x241	12.00x8.00	305x203	16	128 SCS	128 SCSGV	12.09x8.09	307x205	12.00x8.00	305x203	16
1210 SCF	1210 SCFGV	13.50x11.50	343x292	12.00x10.00	305x254	16	1210 SCS	1210 SCSGV	12.09x10.09	307x256	12.00x10.00	305x254	16
1212 SCF	1212 SCFGV	13.50x13.50	343x343	12.00x12.00	305x305	16	1212 SCS	1212 SCSGV	12.09x12.09	307x307	12.00x12.00	305x305	16
1612 SCF	1612 SCFGV	17.50x13.50	445x343	16.00x12.00	406x305	14	1612 SCS	1612 SCSGV	16.09x12.09	409x307	16.00x12.00	406x305	16
1616 SCF	1616 SCFGV	17.50x17.50	445x445	16.00x16.00	406x406	14	1616 SCS	1616 SCSGV	16.09x16.09	409x409	16.00x16.00	406x406	16
1812 SCF	1812 SCFGV	19.50x13.50	495x343	18.00x12.00	457x305	14	1812 SCS	1812 SCSGV	18.09x12.09	459x307	18.00x12.00	457x305	16
1815 SCF	1815 SCFGV	19.50x16.50	495x419	18.00x15.00	457x381	14	1815 SCS	1815 SCSGV	18.09x15.09	459x383	18.00x15.00	457x381	16
1818 SCF	1818 SCFGV	19.50x19.50	495x495	18.00x18.00	457x457	14	1818 SCS	1818 SCSGV	18.09x18.09	459x459	18.00x18.00	457x457	16
2412 SCF	2412 SCFGV	25.50x13.50	648x343	24.00x12.00	610x305	14	2412 SCS	2412 SCSGV	24.09x12.09	612x307	24.00x12.00	610x305	16
2418 SCF	2418 SCFGV	25.50x19.50	648x495	24.00x18.00	610x457	12	2418 SCS	2418 SCSGV	24.09x18.09	612x459	24.00x18.00	610x457	14
2424 SCF	2424 SCFGV	25.50x24.50	648x622	24.00x24.00	610x610	12	2424 SCS	2424 SCSGV	24.09x24.09	612x612	24.00x24.00	610x610	14

Notes: Dimensions are in inches. Millimeters shown are for reference only. Data subject to change without notice.