

Type 3R Current Transformer Enclosures

Type 3R Current Transformer Hinge Cover Enclosures Data Sheet



Construction

- Enclosure and cover are fabricated from code gauge galvaneal steel, (see table)
- Enclosure body has mounting holes on the back
- 250-20 mounting studs are furnished on the enclosure body of most sizes for Utility current transformer mounting equipment, (see table)
- Covers are secured to the body with a heavy-duty slip-hinge on the left side and mounting studs and wing nuts with Utility sealing hole provisions on the opposite side
- Covers are completely removable when in the open position
- Fixed door handles (new design not shown)
- Ground lug is mounted on the inside bottom end of each cabinet

Finish

- Wash and phosphate undercoat
- ANSI 61 gray acrylic electrocoat finish

Accessories

- Touch-up paint
- See Accessories section

Application

- Designed to house current transformers
- Used as wiring boxes, junction and pull boxes
- Protects against falling rain, sleet and external ice formation

Standards

- UL 414 listed, Type 3R
- Conforms to NEMA standard for Type 3R
- IEC 60529, IP32

Enclosure Catalog Number	Enclosure Size Height x Width x Depth A x B x C		Gauge	D		E		F		G	
	in.	mm		in.	mm	in.	mm	in.	mm	in.	mm
203611 HRTCT	36.00x20.00x11.00	914x508x279	14	-	-	-	-	-	-	-	-
243011 HRTCT	30.00x24.00x11.00	762x610x279	14	12.00	305	8.00	203	8.00	203	-	-
244811 HRTCT	48.00x24.00x11.00	1219x610x279	14	21.00	533	8.00	203	8.00	203	-	-
303611 HRTCT	36.00x30.00x11.00	914x762x279	12	15.00	381	7.00	178	8.00	203	8.00	203
304811 HRTCT	48.00x30.00x11.00	1219x762x279	12	21.00	533	7.00	178	8.00	203	8.00	203
363611 HRTCT	36.00x36.00x11.00	914x914x279	12	15.00	381	10.00	254	8.00	203	8.00	203
364811 HRTCT	48.00x36.00x11.00	1219x914x279	12	21.00	533	10.00	254	8.00	203	8.00	203

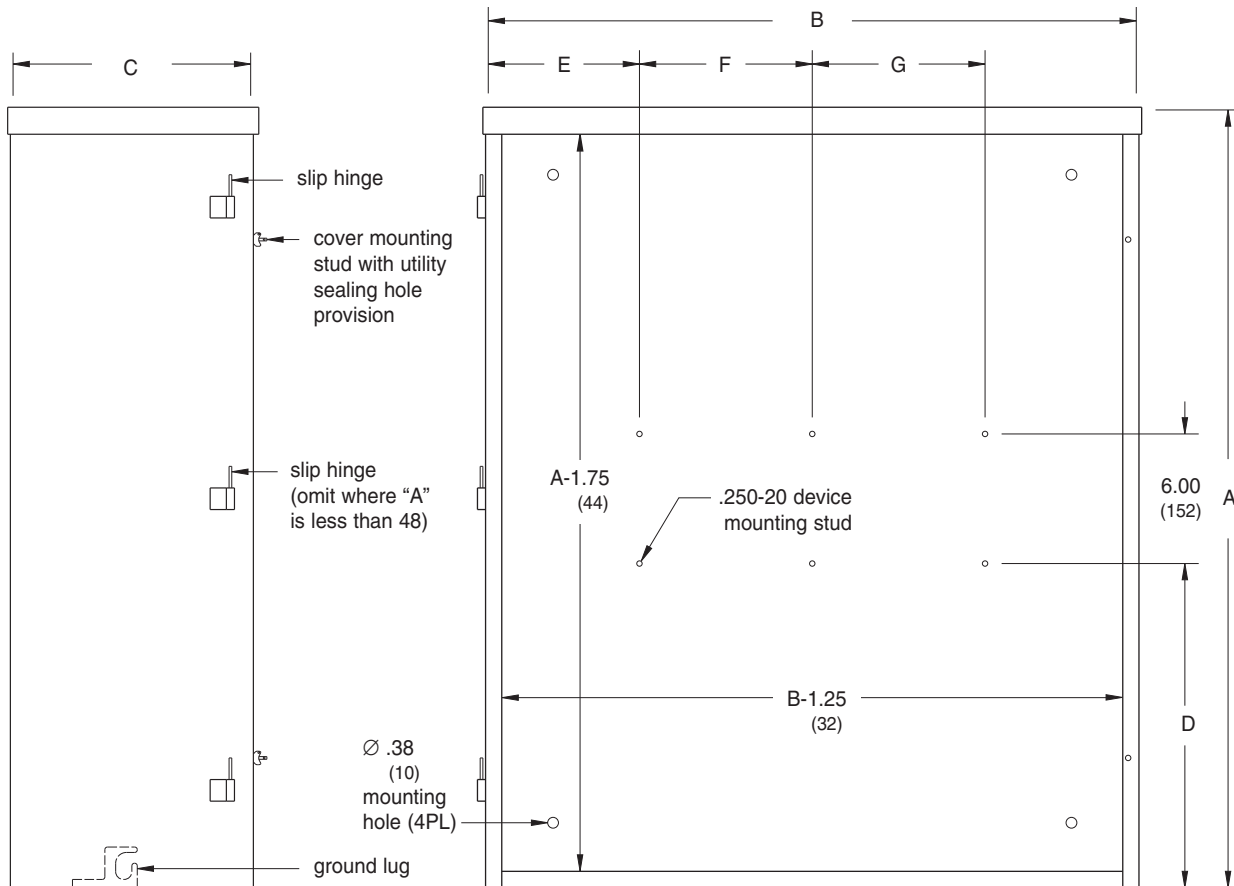
Consult the local Utility for area acceptance.

Notes: Cooper B-Line can provide special sizes, finishes and other modifications. Consult the factory for your special requirements.

Type 3R Current Transformer Enclosures

Type 3R Current Transformer Hinge Cover Enclosures Illustration Sheet

Current Transformer



Side View
(cover removed)

Front View
(cover removed)

Notes: Dimensions are in inches. Millimeters shown are for reference only. Data subject to change without notice.