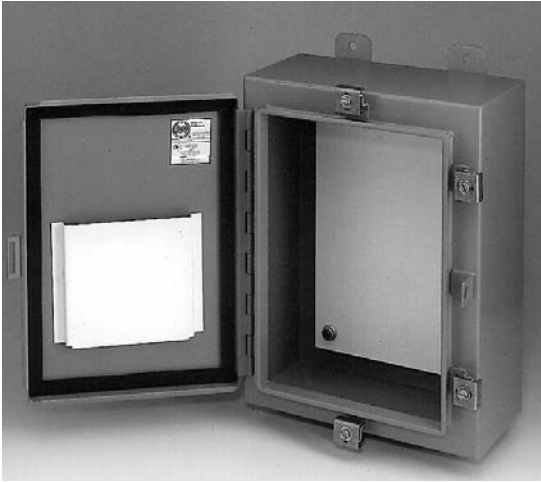


Type 4 Enclosures

Type 4 Single-Door Enclosures Data Sheet



Application

- Houses electrical controls and instruments
- Intended for indoor or outdoor use
- Protects against windblown dust and rain, splashing water and hose directed water

Standards

- UL 508 listed, Type 4, Type 13 and Type 12
- CSA C22.2 No.94 certified, Type 4, Type 13 and Type 12
- Conforms to NEMA standard for Type 4, Type 13 and Type 12
- Conforms to JIC standard EGP-1-1967
- IEC 60529, IP66

Type 4 Enclosures

Construction

- Enclosure and door are fabricated from code gauge steel, (see table)
- All continuous welded seams are finished smooth
- Doors are secured to the body with a heavy-duty continuous hinge on one side and easy-to-release stainless steel door clamps mounted to the other three sides
- Ground stud provided on door
- Formed lip around enclosure opening diverts liquids and contaminants
- Each door has a padlock hasp with sealing hole provision
- Print pocket provided
- Door has a fixed, oil and water-resistant gasket
- .375-16 collar studs are provided for mounting optional panel
- External mounting feet are provided for secure wall mounting

Finish

- Wash and phosphate undercoat
- ANSI 61 gray polyester powder finish

Accessories

- Panels
- NEMA terminal strap kit
- Terminal blocks
- Door lock kit
- Floor stand kit
- Touch-up paint
- See Accessories section

Notes: Cooper B-Line can provide special sizes, finishes and other modifications. Consult the factory for your special requirements.

Type 4 Enclosures

Type 4 Single-Door Enclosures Catalog Number

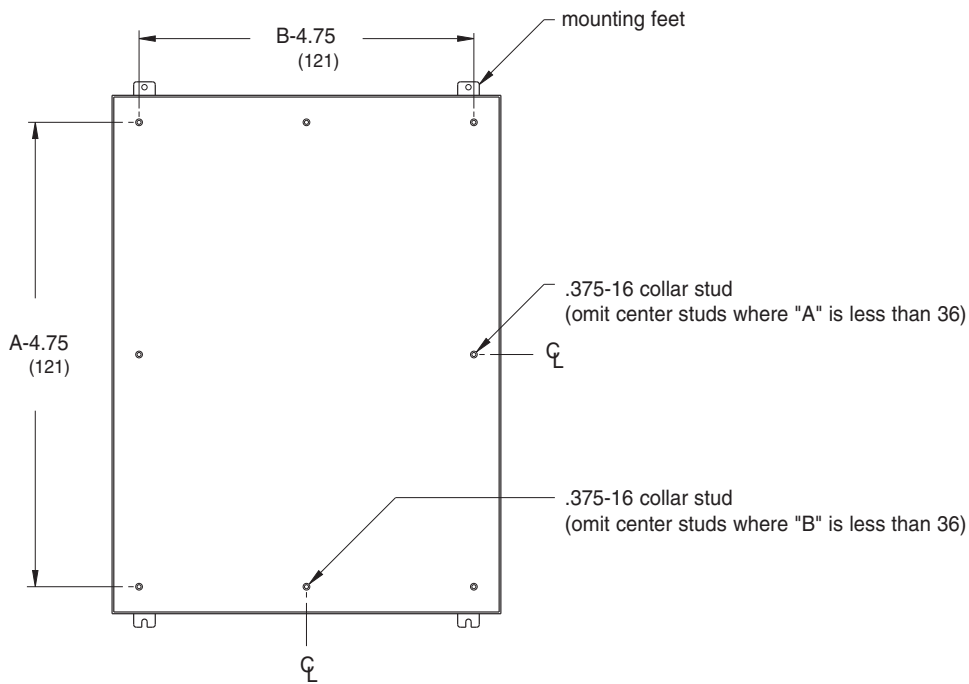
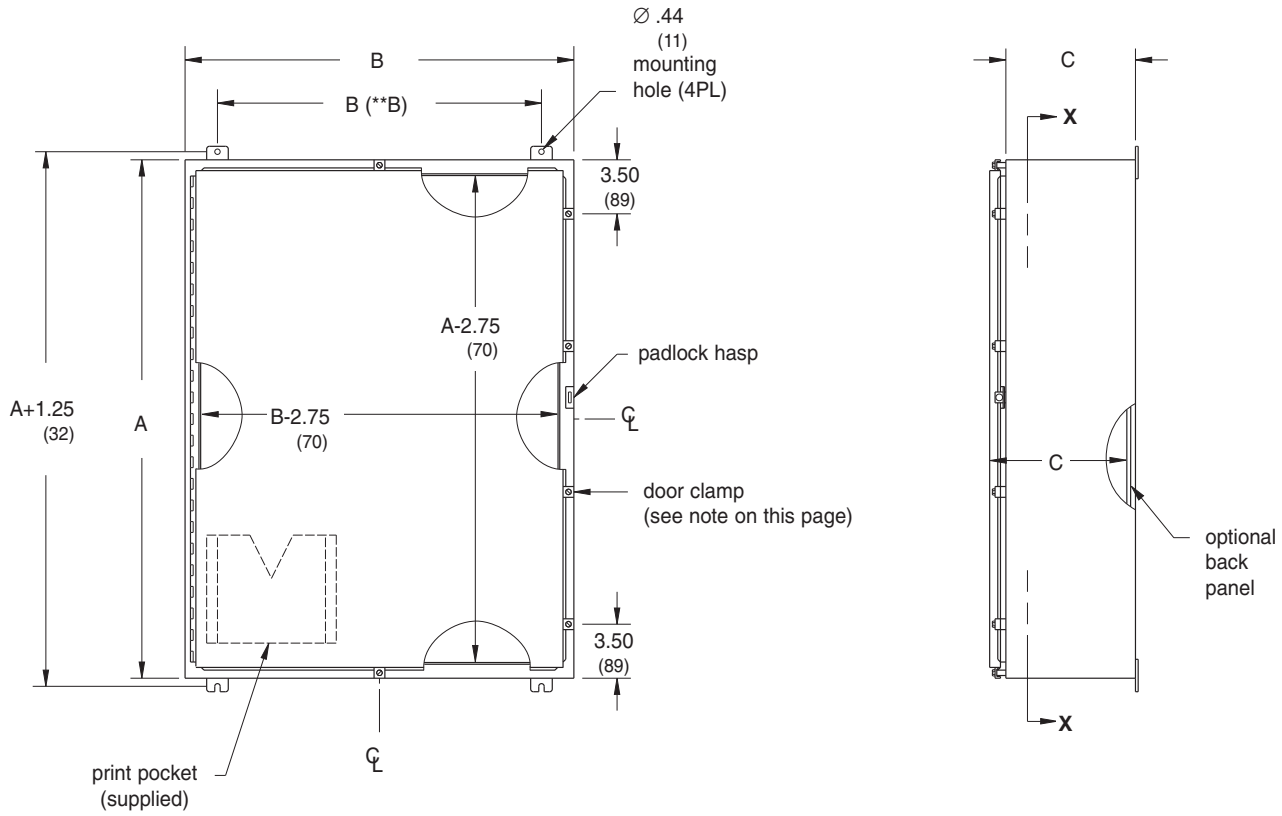
Enclosure Catalog Number	Enclosure Size Height x Width x Depth A x B x C		Gauge	Panel Catalog Number	Panel Size Height x Width	
	in.	mm			in.	mm
16126-4	16.00x12.00x6.00	406x305x152	16	AW1612P	13.00x9.00	330x229
16166-4	16.00x16.00x6.00	406x406x152	16	AW1616P	13.00x13.00	330x330
16206-4	16.00x20.00x6.00	406x508x152	16	AW2016P	13.00x17.00	330x432
20166-4	20.00x16.00x6.00	508x406x152	16	AW2016P	17.00x13.00	432x330
20206-4	20.00x20.00x6.00	508x508x152	16	AW2020P	17.00x17.00	432x432
24126-4	24.00x12.00x6.00	610x305x152	16	AW2412P	21.00x9.00	533x229
24166-4	24.00x16.00x6.00	610x406x152	16	AW2416P	21.00x13.00	533x330
24206-4	24.00x20.00x6.00	610x508x152	16	AW2420P	20.87x16.87	530x428
24246-4	24.00x24.00x6.00	610x610x152	14	AW2424P	20.87x20.87	530x530
30206-4	30.00x20.00x6.00	762x508x152	14	AW3020P	26.87x16.87	682x428
30246-4	30.00x24.00x6.00	762x610x152	14	AW3024P	26.87x20.87	682x530
36246-4	36.00x24.00x6.00	914x610x152	14	AW3624P	32.87x20.87	835x530
16128-4	16.00x12.00x8.00	406x305x203	16	AW1612P	13.00x9.00	330x229
20168-4	20.00x16.00x8.00	508x406x203	16	AW2016P	17.00x13.00	432x330
20208-4	20.00x20.00x8.00	508x508x203	16	AW2020P	17.00x17.00	432x432
20248-4	20.00x24.00x8.00	508x610x203	16	AW2024P	16.87x20.87	428x530
24208-4	24.00x20.00x8.00	610x508x203	16	AW2420P	20.87x16.87	530x428
24248-4	24.00x24.00x8.00	610x610x203	14	AW2424P	20.87x20.87	530x530
24308-4	24.00x30.00x8.00	610x762x203	14	AW3024P	20.87x26.87	530x682
30208-4	30.00x20.00x8.00	762x508x203	14	AW3020P	26.87x16.87	682x428
30248-4	30.00x24.00x8.00	762x610x203	14	AW3024P	26.87x20.87	682x530
30308-4	30.00x30.00x8.00	762x762x203	14	AW3030P	26.87x26.87	682x682
36248-4	36.00x24.00x8.00	914x610x203	14	AW3624P	32.87x20.87	835x530
36308-4	36.00x30.00x8.00	914x762x203	14	AW3630P	32.87x26.87	835x682
42308-4	42.00x30.00x8.00	1067x762x203	14	AW4230P	38.87x26.87	987x682
42368-4	42.00x36.00x8.00	1067x914x203	14	AW4236P	38.87x32.87	987x835
48368-4	48.00x36.00x8.00	1219x914x203	14	AW4836P	44.87x32.87	1140x835
60368-4	60.00x36.00x8.00	1524x914x203	14	AW6036P	56.87x32.87	1444x835
201610-4	20.00x16.00x10.00	508x406x254	16	AW2016P	17.00x13.00	432x330
242010-4	24.00x20.00x10.00	610x508x254	16	AW2420P	20.87x16.87	530x428
302410-4	30.00x24.00x10.00	762x610x254	14	AW3024P	26.87x20.87	682x530
363010-4	36.00x30.00x10.00	914x762x254	14	AW3630P	32.87x26.87	835x682
483010-4	48.00x30.00x10.00	1219x762x254	14	AW4830P	44.87x26.87	1140x682
483610-4	48.00x36.00x10.00	1219x914x254	14	AW4836P	44.87x32.87	1140x835
603610-4	60.00x36.00x10.00	1524x914x254	14	AW6036P	56.87x32.87	1444x835
302412-4	30.00x24.00x12.00	762x610x305	14	AW3024P	26.87x20.87	682x530
363012-4	36.00x30.00x12.00	914x762x305	14	AW3630P	32.87x26.87	835x682
483612-4	48.00x36.00x12.00	1219x914x305	14	AW4836P	44.87x32.87	1140x835
363016-4	36.00x30.00x16.00	914x762x406	14	AW3630P	32.87x26.87	835x682
483616-4	48.00x36.00x16.00	1219x914x406	14	AW4836P	44.87x32.87	1140x835
603616-4	60.00x36.00x16.00	1524x914x406	14	AW6036P	56.87x32.87	1444x835

Type 4 Enclosures

Notes: Dimensions are in inches. Millimeters shown are for reference only. Data subject to change without notice.

Type 4 Enclosures

Type 4 Single-Door Enclosures Illustration Sheet



Section X-X

Notes: Dimensions: **B = (-2.50) if 12 inches wide; (-6.00) if wider than 12 inches. Clamps are mounted along three sides of the enclosure door. Spacing between clamps along side opposite the hinge does not exceed 15 inches. Dimensions are in inches. Millimeters shown are for reference only. Data subject to change without notice.