

Type 4X Enclosures

Premier Series Stainless Steel Type 4X Single-Door Wall-Mount Enclosures Data Sheet



Application

- Houses electrical controls and instruments in a contemporary streamlined design
- Premier series Type 4X stainless steel enclosures offer increased flexibility and improved features suitable for any high-tech or standard installation requiring corrosion-resistance protection
- Intended for indoor or outdoor use where a corrosive environment exists
- Protects against corrosion, circulating and windblown dust, falling dirt, dripping noncorrosive liquids, rain, splashing water and hose directed water

Standards

- UL 508 Listed, Type 4X, Type 4 and Type 12
- cUL Listed, Type 4X, Type 4 and Type 12
- Conforms to NEMA standard for Type 4X, Type 4 and Type 12
- IEC 60529, IP66

Construction

- Enclosure and door are fabricated from code gauge Type 304 or Type 316L stainless steel (see tables)
- All continuous welded seams are finished smooth
- Hardware kit provided contains grounding hardware, .312-18 flanged hex nuts for panel mounting and sealing washers for body mounting holes

Body Construction

- Body flange trough design, formed around body opening, diverts liquid contaminants away from door opening
- Reduced width flange design increases enclosure opening
- Ground stud provided in enclosure body
- .312-18 collar studs are provided for mounting optional Premier panels
- Enclosure mounting holes in body provided for direct mounting or optional mounting feet
- Utility bracket provides wire management and accessory mounting

Door Construction

- Doors are secured to the body with a unique spring-loaded hidden hinge design on one side and slotted quarterturn flush latch(es) on the opposite side
- Doors are easily removed and interchangeable
- Door has a fixed, oil and water-resistant, seamless foam in place gasket
- Door opens 170° for easy access
- Utility rail provides grounding, rigidity and wire management
- Door stiffeners are provided on larger enclosures for added rigidity
- Window-door enclosures feature flush-mounted clear polycarbonate window

Finish

- Outer surface of enclosure and cover has a smooth brushed finish

Accessories

- Premier panels
- NEMA panel adapters
- Depth adjustment brackets
- Print pockets
- Padlockable or keyed handles
- Security latch inserts
- Mounting foot kits
- EIA/TIA rack mounting angles
- Swing-out panels
- **See Premier Accessories pages, 172-176**

Notes: Cooper B-Line can provide special sizes, finishes and other modifications. Consult the factory for your special requirements.

Type 4X Enclosures

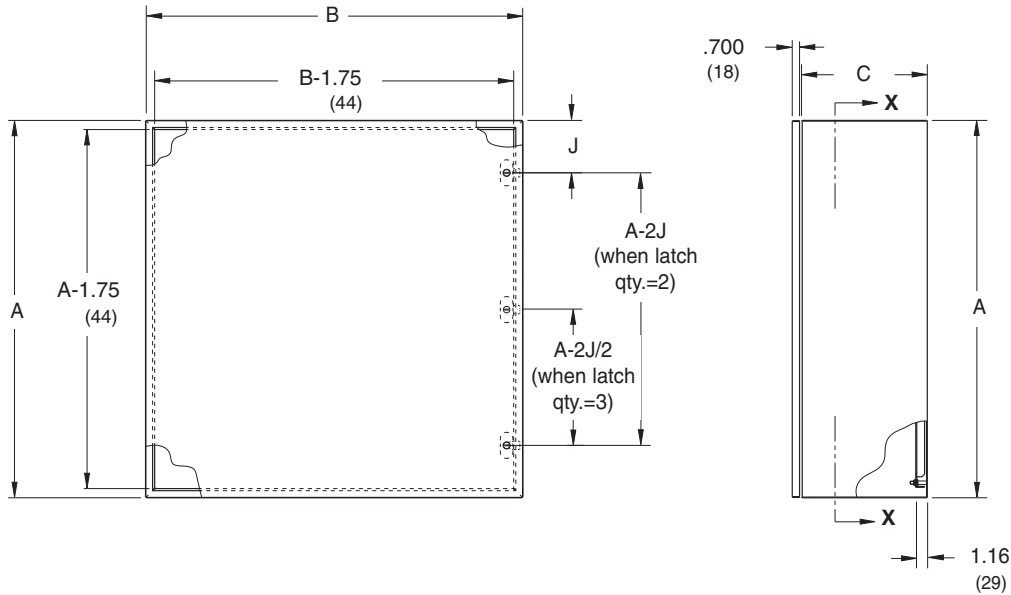
Premier Series Stainless Steel Type 4X Single-Door Wall-Mount Enclosures Catalog Number

Enclosure Catalog Number Type 304 Stainless Steel		Enclosure Size A x B x C		Door/Body Gauge	Panel Catalog Number	Panel Size H x W		Mounting D x E		Window Size F x G		Latch Qty.	J	
Solid Door	Window Door	in.	mm			in.	mm	in.	mm	in.	mm		in.	mm
1084-SDSS4	-	10x8x4	254x203x102	16/16	108P	8.00x6.00	203x152	8.50x6.37	216x162	-	-	1	5.00	127
1086-SDSS4	-	10x8x6	254x203x152	16/16	108P	8.00x6.00	203x152	8.50x6.37	216x162	-	-	1	5.00	127
12106-SDSS4	-	12x10x6	305x254x152	16/16	1210P	10.00x8.00	254x203	10.50x8.37	267x213	-	-	1	6.00	152
12126-SDSS4	12126-SDWSS4	12x12x6	305x305x152	16/16	1212P	10.00x10.00	254x254	10.50x10.37	267x264	8.25x7.00	210x178	1	6.00	152
16126-SDSS4	16126-SDWSS4	16x12x6	406x305x152	16/16	1612P	14.00x10.00	356x254	14.50x10.37	368x264	12.25x7.00	311x178	1	8.00	203
16166-SDSS4	-	16x16x6	406x406x152	16/16	1616P	14.00x14.00	356x356	14.50x14.37	368x365	-	-	1	8.00	203
20166-SDSS4	20166-SDWSS4	20x16x6	508x406x152	16/16	2016P	18.00x14.00	457x356	18.50x14.37	470x365	16.25x11.00	413x279	1	10.00	254
20206-SDSS4	20206-SDWSS4	20x20x6	508x508x152	16/16	2020P	18.00x18.00	457x457	18.50x18.37	470x467	16.25x15.00	413x381	1	10.00	254
16128-SDSS4	-	16x12x8	406x305x203	16/16	1612P	14.00x10.00	356x254	14.50x10.37	368x264	-	-	1	8.00	203
16168-SDSS4	-	16x16x8	406x406x203	16/16	1616P	14.00x14.00	356x356	14.50x14.37	368x365	-	-	1	8.00	203
16208-SDSS4	-	16x20x8	406x508x203	16/16	2016P	14.00x18.00	356x457	14.50x18.37	368x467	-	-	1	8.00	203
20168-SDSS4	20168-SDWSS4	20x16x8	508x406x203	16/16	2016P	18.00x14.00	457x356	18.50x14.37	470x365	16.25x11.00	413x279	1	10.00	254
20208-SDSS4	20208-SDWSS4	20x20x8	508x508x203	16/16	2020P	18.00x18.00	457x457	18.50x18.37	470x467	16.25x15.00	413x381	1	10.00	254
24168-SDSS4	-	24x16x8	610x406x203	16/16	2416P	22.00x14.00	559x356	22.50x14.37	572x365	-	-	1	5.00	127
24208-SDSS4	24208-SDWSS4	24x20x8	610x508x203	16/16	2420P	22.00x18.00	559x457	22.50x18.37	572x467	20.25x15.00	514x381	1	5.00	127
24248-SDSS4	24248-SDWSS4	24x24x8	610x610x203	14/16	2424P	22.00x22.00	559x559	22.50x22.37	572x568	20.25x17.62	514x448	2	5.00	127
30248-SDSS4	30248-SDWSS4	30x24x8	762x610x203	14/16	3024P	28.00x22.00	711x559	28.50x22.37	724x568	26.25x17.62	667x448	2	5.00	127
30308-SDSS4	-	30x30x8	762x762x203	14/14	3030P	28.00x28.00	711x711	28.50x28.37	724x721	-	-	2	5.00	127
36248-SDSS4	-	36x24x8	914x610x203	14/16	3624P	34.00x22.00	864x559	34.50x22.37	876x568	-	-	2	5.00	127
36308-SDSS4	-	36x30x8	914x762x203	14/14	3630P	34.00x28.00	864x711	34.50x28.37	876x721	-	-	2	5.00	127
202012-SDSS4	202012-SDWSS4	20x20x12	508x508x305	14/14	2020P	18.00x18.00	457x457	18.50x18.37	470x467	16.25x15.00	413x381	1	10.00	254
242412-SDSS4	-	24x24x12	610x610x305	14/14	2424P	22.00x22.00	559x559	22.50x22.37	572x568	-	-	2	5.00	127
302412-SDSS4	302412-SDWSS4	30x24x12	762x610x305	14/14	3024P	28.00x22.00	711x559	28.50x22.37	724x568	26.25x17.62	667x448	2	5.00	127
362412-SDSS4	-	36x24x12	914x610x305	14/14	3624P	34.00x22.00	864x559	34.50x22.37	876x568	-	-	2	5.00	127
363012-SDSS4	-	36x30x12	914x762x305	14/14	3630P	34.00x28.00	864x711	34.50x28.37	876x721	-	-	2	5.00	127
363612-SDSS4	-	36x36x12	914x914x305	14/14	3636P	34.00x34.00	864x864	34.50x34.37	876x873	-	-	2	5.00	127
423612-SDSS4	-	42x36x12	1067x914x305	14/14	4236P	40.00x34.00	1016x864	40.50x34.37	1029x873	-	-	3	5.00	127
483612-SDSS4	-	48x36x12	1219x914x305	14/14	4836P	46.00x34.00	1168x864	46.50x34.37	1181x873	-	-	3	5.00	127
603612-SDSS4	-	60x36x12	1524x914x305	14/14	6036P	58.00x34.00	1473x864	58.50x34.37	1486x873	-	-	3	5.00	127

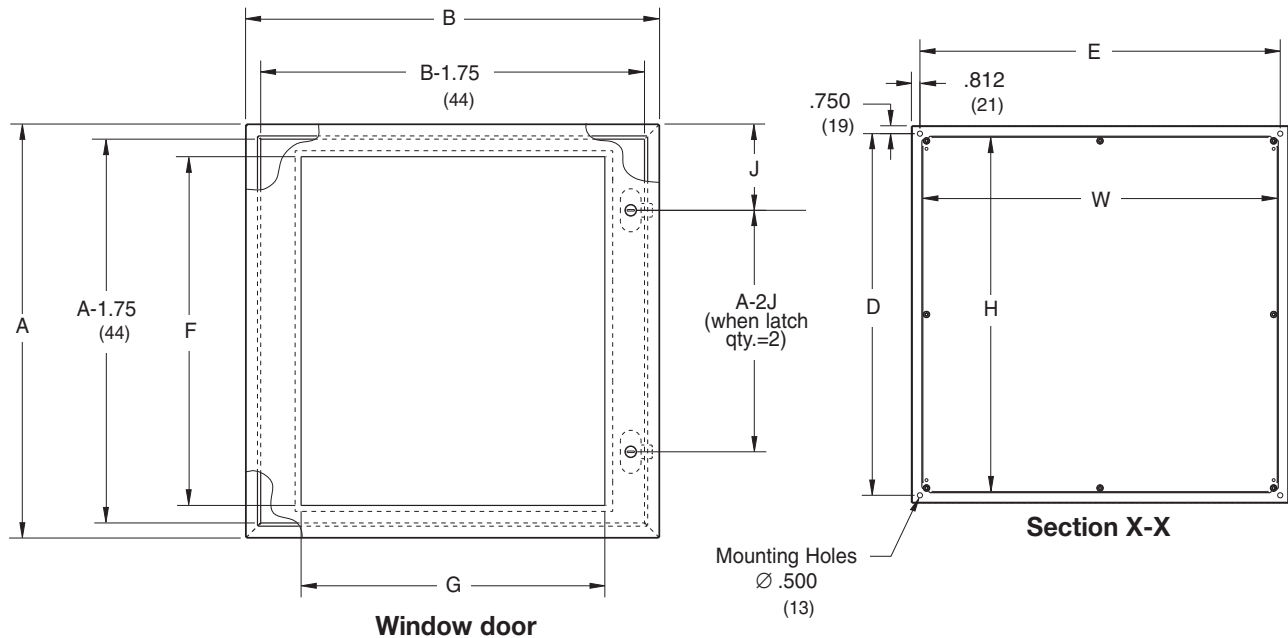
Notes: Dimensions are in inches. Millimeters shown are for reference only. Data subject to change without notice.

Type 4X Enclosures

Premier Series Stainless Steel Type 4X Single-Door Wall-Mount Enclosures



Premier Series Stainless Steel Type 4X Single-Door Wall-Mount Enclosures



Type 4X Enclosures

Notes: Dimensions are in inches. Millimeters shown are for reference only. Data subject to change without notice.

Type 4X Enclosures

Premier Series Stainless Steel Type 4X Single-Door Wall-Mount Enclosures Catalog Number

Enclosure Catalog Number <small>Type 316L Stainless Steel Solid Door</small>	Enclosure Size A x B x C		Door/ Body Gauge	Steel Panel Catalog Number	Stainless Steel Panel Catalog Number	Panel Size H x W		Mounting D x E		Latch Qty.	J	
	in.	mm				in.	mm	in.	mm		in.	mm
	1084-SDSS6	10x8x4				254x203x102	16/16	108P	108PSS4		8.00x6.00	203x152
1086-SDSS6	10x8x6	254x203x152	16/16	108P	108PSS4	8.00x6.00	203x152	8.50x6.37	216x162	1	5.00	127
12106-SDSS6	12x10x6	305x254x152	16/16	1210P	1210PSS4	10.00x8.00	254x203	10.50x8.37	267x213	1	6.00	152
12126-SDSS6	12x12x6	305x305x152	16/16	1212P	1212PSS4	10.00x10.00	254x254	10.50x10.37	267x264	1	6.00	152
16126-SDSS6	16x12x6	406x305x152	16/16	1612P	1612PSS4	14.00x10.00	356x254	14.50x10.37	368x264	1	8.00	203
16166-SDSS6	16x16x6	406x406x152	16/16	1616P	1616PSS4	14.00x14.00	356x356	14.50x14.37	368x365	1	8.00	203
20166-SDSS6	20x16x6	508x406x152	16/16	2016P	2016PSS4	18.00x14.00	457x356	18.50x14.37	470x365	1	10.00	254
20206-SDSS6	20x20x6	508x508x152	16/16	2020P	2020PSS4	18.00x18.00	457x457	18.50x18.37	470x467	1	10.00	254
16128-SDSS6	16x12x8	406x305x203	16/16	1612P	1612PSS4	14.00x10.00	356x254	14.50x10.37	368x264	1	8.00	203
16168-SDSS6	16x16x8	406x406x203	16/16	1616P	1616PSS4	14.00x14.00	356x356	14.50x14.37	368x365	1	8.00	203
16208-SDSS6	16x20x8	406x508x203	16/16	2016P	2016PSS4	14.00x18.00	356x457	14.50x18.37	368x467	1	8.00	203
20168-SDSS6	20x16x8	508x406x203	16/16	2016P	2016PSS4	18.00x14.00	457x356	18.50x14.37	470x365	1	10.00	254
20208-SDSS6	20x20x8	508x508x203	16/16	2020P	2020PSS4	18.00x18.00	457x457	18.50x18.37	470x467	1	10.00	254
24168-SDSS6	24x16x8	610x406x203	16/16	2416P	2416PSS4	22.00x14.00	559x356	22.50x14.37	572x365	1	5.00	127
24208-SDSS6	24x20x8	610x508x203	16/16	2420P	2420PSS4	22.00x18.00	559x457	22.50x18.37	572x467	1	5.00	127
24248-SDSS6	24x24x8	610x610x203	14/16	2424P	2424PSS4	22.00x22.00	559x559	22.50x22.37	572x568	2	5.00	127
30248-SDSS6	30x24x8	762x610x203	14/16	3024P	3024PSS4	28.00x22.00	711x559	28.50x22.37	724x568	2	5.00	127
30308-SDSS6	30x30x8	762x762x203	14/14	3030P	3030PSS4	28.00x28.00	711x711	28.50x28.37	724x721	2	5.00	127
36248-SDSS6	36x24x8	914x610x203	14/16	3624P	3624PSS4	34.00x22.00	864x559	34.50x22.37	876x568	2	5.00	127
36308-SDSS6	36x30x8	914x762x203	14/14	3630P	3630PSS4	34.00x28.00	864x711	34.50x28.37	876x721	2	5.00	127
202012-SDSS6	20x20x12	508x508x305	14/14	2020P	2020PSS4	18.00x18.00	457x457	18.50x18.37	470x467	1	10.00	254
242412-SDSS6	24x24x12	610x610x305	14/14	2424P	2424PSS4	22.00x22.00	559x559	22.50x22.37	572x568	2	5.00	127
302412-SDSS6	30x24x12	762x610x305	14/14	3024P	3024PSS4	28.00x22.00	711x559	28.50x22.37	724x568	2	5.00	127
362412-SDSS6	36x24x12	914x610x305	14/14	3624P	3624PSS4	34.00x22.00	864x559	34.50x22.37	876x568	2	5.00	127
363012-SDSS6	36x30x12	914x762x305	14/14	3630P	3630PSS4	34.00x28.00	864x711	34.50x28.37	876x721	2	5.00	127
363612-SDSS6	36x36x12	914x914x305	14/14	3636P	3636PSS4	34.00x34.00	864x864	34.50x34.37	876x873	2	5.00	127
423612-SDSS6	42x36x12	1067x914x305	14/14	4236P	4236PSS4	40.00x34.00	1016x864	40.50x34.37	1029x873	3	5.00	127
483612-SDSS6	48x36x12	1219x914x305	14/14	4836P	4836PSS4	46.00x34.00	1168x559	46.50x34.37	1181x873	3	5.00	127
603612-SDSS6	60x36x12	1524x914x305	14/14	6036P	6036PSS4	58.00x34.00	1473x559	58.50x34.37	1486x873	3	5.00	127

Notes: Dimensions are in inches. Millimeters shown are for reference only. Data subject to change without notice.