

DESCRIPTION

Adjustable Slot Aperture trim for 12V low voltage 4" H1499 family recessed housings. Lamp tilts 35°. Die cast trim ring available in a variety of finishes. Three "cat's paw" springs secure trim in housing.

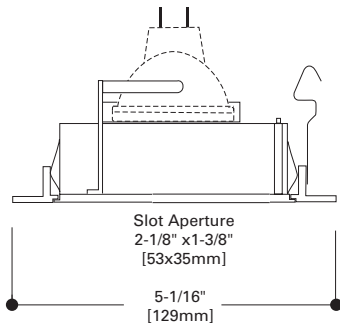
| | | |
|--------------------|--|-------------|
| Catalog # | | Type |
| Project | | |
| Comments | | Date |
| Prepared by | | |

DESIGN FEATURES

Cast aluminum trim ring available in Matte White, Silver, Satin Nickel, Antique Copper or Tuscan Bronze finishes. Slot aperture provides adjustable lamp aiming with a clean ceiling presence. Three pressure springs ensure positive retention in housing.

1420 is designed for use with the following small aperture housings;

- Line Voltage Housing
 - H1499T 50W 12V MR16
 - H1499RT 50W 12V MR16
 - H1499ICT 50W 12V MR16
 - H1499T75 75W 12V MR16



1420P
White Trim



1420SL
Silver Trim



1420SN
Satin Nickel Trim



1420AC
Antique Copper Trim

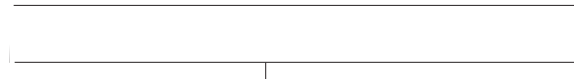


1420TBZ
Tuscan Bronze Trim Ring

1420
Adjustable Slot Aperture
Trim

4" TRIMS

Trim



- 1420P= White Trim
- 1420SL= Silver Trim
- 1420SN= Satin Nickel Trim
- 1420AC= Antique Copper Trim
- 1420TBZ= Tuscan Bronze Trim

Note: Specifications and Dimensions subject to change without notice.
Visit our web site at www.cooperlighting.com