

DESCRIPTION

H36LVRTAT277 is a 3" aperture Non-IC AIR-TITE™ fixture for use with H3 series trims. For installation from below the ceiling. Housing is AIR-TITE rated to prevent airflow between heated or air conditioned spaces and unconditioned attic areas. H36LVRTAT277 features integral 120/277 dualtap transformer. Housing is rated for up to 50W, 12V MR16 lamps, and is designed for installation in 120 or 277V electrical systems. Housing ships as 277V model with 120V transformer wire lead capped (see wiring diagram). Non-IC Housing is AIR-TITE™ but insulation must be kept 3" away from all sides of housing.

Catalog #		Type
Project		
Comments		Date
Prepared by		

SPECIFICATION FEATURES

Housing

Formed of 20 gauge CRS with white powder coat finish.

Remodel Plaster Frame

"Easy Clip" provided to secure plaster frame in ceiling while installation is being completed. Adjustable cam lock springs provide positive lock of housing to plaster frame to complete housing installation.

Junction Box

- UL/cUL listed for through branch circuit wiring (maximum 4 No.12 ga., 90°C conductors).
- Four 1/2" trade size conduit knockouts with true pry-out slots.

- Three Slide-N-Side™ wire traps allow non-metallic sheathed cable to be installed without tools and without removing knockouts. Accepts a wide range of non-metallic sheathed cable.
 - Allows wiring connections to be made outside the junction box-
 - Simply insert the cable directly into the trap after connections are made.
 - Three push-in wire connectors are included and eliminate the need for separate wire nuts. Accommodates the following standard non-metallic sheathed cable sizes: (US) #14/2, #14/3, #12/2, #12/3 (Canada) #14/2, #14/3, #12/2
- No accessible ceiling insyallation requires non-metallic "NM" sheathed cable connection.

Socket

GU5.3 socket for 12V MR16 lamp.

Transformer

Integral dual-tap magnetic transformer steps 120V or 277V line voltage down to 12V nominal lamp operating voltage. Housing is rated for up to 50W MR16 lamps. Housing ships as 277V model with 120V transformer wire lead capped. For use in 120V systems, simply cap the 277V wire lead and use 120V lead (refer to wiring diagram).

Labels

- UL/cUL Listed 1598 Luminaire
- UL/cUL Damp Location Listed
- UL/cUL Listed for FeedThrough
- Certified Under ASTM-E283 for air tight construction



H36LVRTAT277

3" Non-Insulated Ceiling AIR-TITE™ Recessed Housing 12V MR16

3" TRIMS

FOR USE IN NON-INSULATED CEILINGS

CAN BE USED IN INSULATED CEILINGS BUT INSULATION MUST BE KEPT 3" FROM ALL SIDES OF THE HOUSING



12V MR16

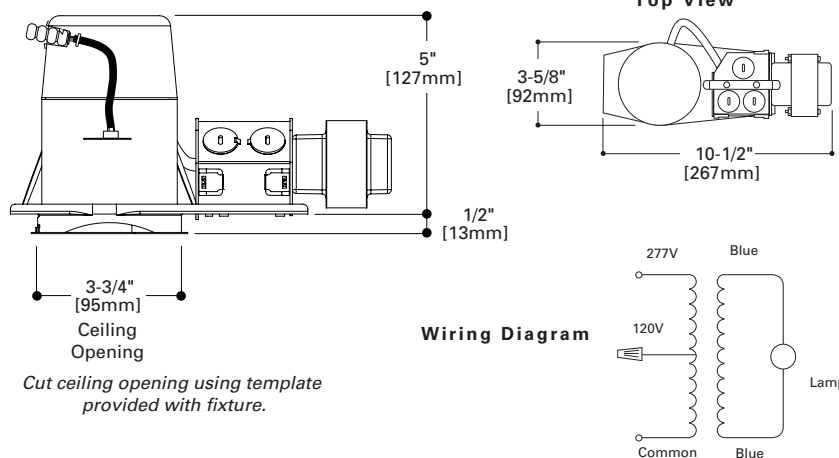
Transformer Data:

Type: Magnetic
 Primary: 120/277VAC dual tap
 60 Hz
 Secondary: 11.5 ±0.3V



Features

- Slide-N-Side™ Junction Box
- Quick-Connect Wiring Connectors



Cut ceiling opening using template provided with fixture.

REMODEL HOUSING INSTALLATION



ORDERING INFORMATION

SAMPLE NUMBER: H36LVRTAT277-3001WHBB

Order housing and trims separately.

Housing

Trims

H36LVRTAT277

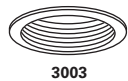
H36LVRTAT277= 3" AIR-TITE™
Non-IC Small
Aperture 120/277V
Low Voltage MR16
Remodel Housing



Adjustable Pinhole Baffle - 15° Tilt
50W 12V MR16
3001WHBB=White with Black Baffle
3001BKBB=Black with Black Baffle
3001SNBB=Satin Nickel with Black Baffle
3001ACBB=Antique Copper with Black Baffle
3001TBZBB=Tuscan Bronze with Black Baffle
OD: 4-1/4" [108mm]



Adjustable Pinhole Reflector- 15° Tilt
50W 12V MR16
3002WHC=White with Clear Reflector
3002BKBB=Black with Clear Reflector
3002SNCC=Satin Nickel with Clear Reflector
3002ACCC=Antique Copper with Clear Reflector
3002TBZC=Tuscan Bronze with Clear Reflector
OD: 4-1/4" [108mm]



Adjustable Baffle- 35° Tilt
50W 12V MR16
3003WHBB=White with Black Baffle
3003WHWB=White with White Baffle
3003BKBB=Black with Black Baffle
3003SNBB=Satin Nickel with Satin Nickel Baffle
3003ACBB=Antique Copper with Antique Copper Baffle
3003TBZB=Tuscan Bronze with Tuscan Bronze Baffle
OD: 4-1/4" [108mm]



Adjustable Reflector- 35° Tilt
50W 12V MR16
3004WHC=White with Clear Reflector
3004BKBB=Black with Clear Reflector
3004SN=Satn Nickel with Satin Nickel Reflector
3004AC=Antique Copper with Antique Copper Reflector
3004TBZ=Tuscan Bronze with Tuscan Bronze Reflector
3004WHH=White with Haze Reflector
3004WHW=White with White Reflector
OD: 4-1/4" [108mm]



Crossblade Reflector
50W 12V MR16
3005WHC=White with Clear Reflector
3005BKBB=Black with Clear Reflector
OD: 4-1/4" [108mm]



Adjustable Slot Aperture- 35° Tilt
50W 12V MR16
3006WHBB=White with Black Baffle
3006BKBB=Black with Black Baffle
3006SNBB=Satin Nickel with Black Baffle
3006ACBB=Antique Copper with Black Baffle
3006TBZBB=Tuscan Bronze with Black Baffle
OD: 4-1/4" [108mm]



Regressed Lens Showerlight- 15° Tilt -
Wet Location Listed
50W 12V MR16
3007WHC=White with Clear Reflector
3007PCC=Polished Chrome with Clear Reflector
3007SN=Satn Nickel with Satin Nickel Reflector
3007AC=Antique Copper with Antique Copper Reflector
3007TBZ=Tuscan Bronze with Tuscan Bronze Reflector
OD: 4-1/4" [108mm]



Showerlight - Wet Location Listed
50W 12V MR16
3008FG=White Polymer and Glass Lens with
Frosted Perimeter
OD: 4-1/4" [108mm]



Adjustable Gimbal- 35° Tilt
50W 12V MR16
3009WHBB=White with Black Baffle
3009WHWB=White with White Baffle
3009BKBB=Black with Black Baffle
3009SNBB=Satin Nickel with Black Baffle
3009ACBB=Antique Copper with Black Baffle
3009TBZBB=Tuscan Bronze with Black Baffle
OD: 4-1/4" [108mm]



Super Adjustable- 0 - 80° Adjustment
50W 12V MR16
3010WH=White
3010SN=Satn Nickel
3010TBZ=Tuscan Bronze
OD: 4-1/4" [108mm]



Square Adjustable - 15° Tilt
50W 12V MR16
3011WHBB=White with Black Baffle
3011WHWB=White with White Baffle
3011BKBB=Black with Black Baffle
3011SNBB=Satin Nickel with Black Baffle
3011ACBB=Antique Copper with Black Baffle
3011TBZBB=Tuscan Bronze with Black Baffle
OD: 4-1/4" [108mm]



Square Regressed Lens Adjustable
Showerlight - 15° Tilt
50W 12V MR16
3012WHBB=White with Black Baffle
3012WHWB=White with White Baffle
3012BKBB=Black with Black Baffle
3012SNBB=Satin Nickel with Black Baffle
3012ACBB=Antique Copper with Black Baffle
3012TBZBB=Tuscan Bronze with Black Baffle
OD: 4-1/4" [108mm]



Square Adjustable Gimbal - 35° Tilt
50W 12V MR16
3013WH=White
3013BK=Black
3013SN=Satn
3013AC=Antique Copper
3013TBZ=Tuscan Bronze
OD: 4-1/4" [108mm]



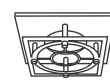
Glass Cylinder - Frost Glass with Optional
Blue Glass Included
50W 12V MR16
3014FBWH=Frost/Blue Glass Cylinder with
White Trim
3014FBSC=Frost/Blue Glass Cylinder with
Satin Chrome Trim
OD: 4-1/4" [108mm]



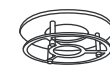
Low Profile Glass Curve
50W 12V MR16
3016FG=Frost Glass Curve
3016BG=Blue Glass Curve
3016AG=Amber Glass Curve
OD: 4-1/4" [108mm]



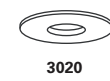
All-Glass Frost Curve Showerlight -
Wet Location Listed
50W 12V MR16
3017FGS=All-Glass Frost Curve with Clear
Glass Center - Showerlight
OD: 4-1/4" [108mm]



Square Drop Glass
50W 12V MR16
3018SGSC=Square Designer Drop Glass
with Satin Chrome Trim
OD: 4-1/4" [108mm]



Round Drop Glass
50W 12V MR16
3019RGSC=Round Designer Drop Glass
with Satin Chrome Trim
OD: 4-1/4" [108mm]



Wall Wash
50W 12V MR16
3020WW=White Downlight & Wall Wash
with Integral Kick Reflector
OD: 4-1/4" [108mm]