

# LRP38-10L

High Output PAR38 LED Lamp

## Product Description

The LRP38-10L LED high output PAR38 lamp delivers up to 1000 lumens of exceptional 92 CRI light while achieving over 70 lumens per watt. This breakthrough performance is achieved by combining the high efficacy and high-quality light of Cree TrueWhite<sup>®</sup> Technology. The LRP38-10L is available in warm or neutral color temperatures and 12- or 25-degree beam angles. Available in both Edison and GU24 bases, the LRP38-10L is a spec grade solution perfect for down lighting, track, and accent lighting use in both commercial and retail applications.

## Performance Summary

Utilizes Cree TrueWhite<sup>®</sup> Technology

Active Color Management

ENERGY STAR<sup>®</sup> qualified

**Delivered Light Output:** 1000 lumens (3000K), 950 lumens (2700K)

**Input Power:** 13.5 watts

**CRI:** 92

**CCT:** 3000K (1000 lumens), 2700K (950 lumens)

**Beam Angle:** 12°, 25°

**CBCP:** 12°: 13220, 25°: 4000

**Warranty:** 3 years<sup>†</sup>

**Lifetime:** Designed to last 50,000 hours in open fixtures

**non-IC Lifetime:** Designed to last 35,000 hours in non-IC recessed downlights

**Dimming:** Dimmable to 20% with ELV dimmers

## Ordering Information

Example: LRP38-10L-27K-25D

LRP38	10L			
Product	Lumen Output	Color Temperature	Beam Angle	Base
LRP38	10L 1000 Lumens	27K 2700 Kelvin	12D 12 Degree	Blank Edison Base GU24 GU24 Base
		30K 3000 Kelvin	25D 25 Degree	

## Housings & Accessories

Reference Housing & Accessory documents for more details.

Trackheads
<b>TL</b> Lampholder, Edison Socket
<b>TG38</b> Gimbal Ring, GU24 Socket

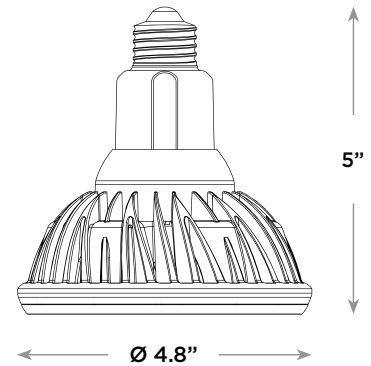
\*Reference [www.cree.com/lighting](http://www.cree.com/lighting) for the most up to date information.

† See [www.cree.com/lighting](http://www.cree.com/lighting) for warranty terms.

LRP38-10L (12°)



LRP38-10L (25°)



Rev. Date 02/11/2013



## Product Specifications

### CREE TRUEWHITE TECHNOLOGY

Cree TrueWhite™ Technology begins with the highest performing commercially available LEDs. Cree TrueWhite™ Technology mixes the light from red and unsaturated yellow LEDs to create beautiful, warm, white light. This patented approach enables color management to preserve high color consistency over the life of the product. Cree TrueWhite™ Technology also enables a CRI of at least 90 while maintaining high luminous efficacy—a no compromise solution.

### CONSTRUCTION & MATERIALS

- Durable die-cast aluminum housing with lens protects LEDs and optical system.
- Thermal management system uses integral heat sink to conduct heat away from LEDs and transfer it to the surrounding environment for optimal performance.
- Housing conforms to ANSI standards for PAR38 lamp envelopes.

NOTE: To ensure compatibility, verify fit in fixtures that utilize the lamp face for mechanical attachment. Color filters, baffles, or other shielding media may affect color consistency and lifetime.

### OPTICAL SYSTEM

- Injection molded total internal reflection (TIR) optics redirects light to achieve a uniform, comfortable appearance that eliminates pixelation and direct view of unshielded LEDs. This ensures smooth light patterns are projected with no hot spots and minimal striations.
- TIR optical patterns and stair-step design (25°) are precisely designed for exceptional optical control, enabling 12° or 25° beam angles with almost no light wasted outside of the beam. This ensures low brightness appearance when viewed from off-axis and outside of the beam.

### ELECTRICAL SYSTEM

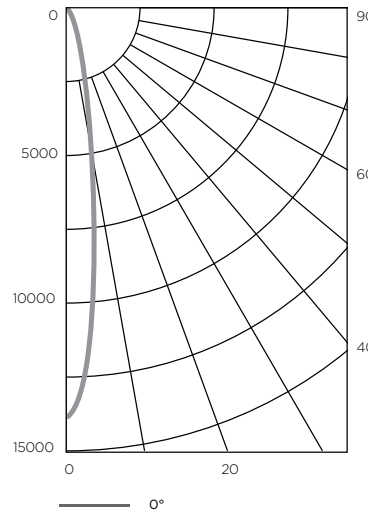
- Integral, high-efficiency driver and power supply.
- **Power Factor** > 0.9 nominal
- **Input Voltage:** 120V, 60Hz
- **Dimming:** Dimmable to 20% with ELV dimmers.

### REGULATORY & VOLUNTARY QUALIFICATIONS

- cULus Listed
- Utilize GU24 base for new construction projects in California or other areas where high-efficacy line voltage sockets are required.
- Suitable for damp locations.
- ENERGY STAR® qualified

## Photometry

### LRP38-10L-12D BASED ON ONSPEX #: 30017011



### Intensity (Candlepower) Summary

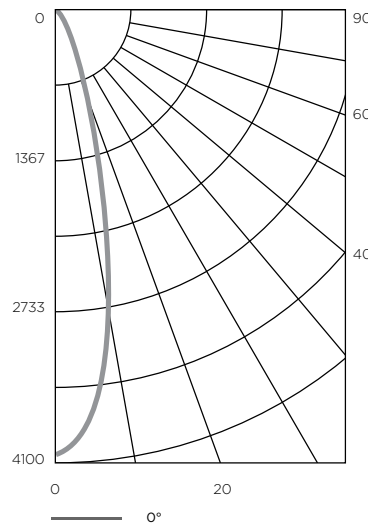
Angle	Mean CP
0°	13220
5°	9064
15°	910
25°	163
35°	127
45°	64
55°	14
65°	9
75°	7
85°	6
90°	5

### Zonal Lumen Summary

Zone	Lumens	% Lamp
0-30	1067	87.1%
0-40	1150	93.9%
0-60	1214	99.2%
60-90	10	0.8%

Reference [www.cree.com/lighting](http://www.cree.com/lighting) for detailed photometric data.

### LRP38-10L-25D BASED ON ONSPEX #: 2472807



### Intensity (Candlepower) Summary

Angle	Mean CP
0°	4034
5°	3631
15°	1285
25°	241
35°	95
45°	55
55°	35
65°	24
75°	15
85°	6
90°	2

### Zonal Lumen Summary

Zone	Lumens	% Lamp
0-30	789	81.3%
0-40	850	87.6%
0-60	925	95.2%
0-90	971	100%

Reference [www.cree.com/lighting](http://www.cree.com/lighting) for detailed photometric data.

©2013 Cree, Inc. and/or one of its subsidiaries. All rights reserved. For informational purposes only. See [www.cree.com/patents](http://www.cree.com/patents) for patents that cover these products. Cree®, the Cree logo, Cree TrueWhite®, TrueWhite®, and the Cree TrueWhite Technology logo are registered trademarks of Cree, Inc. or one of its subsidiaries.

