

Application:

UNY and UNF unions are installed in threaded thickwall conduit systems:

- UNY – to connect conduit to a conduit fitting, junction box or device enclosure
- UNF – to connect conduit to conduit, or to provide a means for future modification of the conduit system

UNA unions are used in conduit and fitting installations when entrance angle is between 90° and 180°.

EL elbows are installed in conduit run or in box or fitting hub:

- to change direction in threaded rigid conduit run by 90°, or when terminating at a box or fitting

Features:

UNY, UNF and UNL unions have:

- compact design which permits assembly with a minimum of clearance to other adjacent conduit and/or equipment
- strong and durable construction

UNA unions:

- have a single clamping nut on angle, making it both a union and a connector
- permit conduit joints at angles between 90° and 180°

EL elbows have a smooth interior and are both strong and compact.

Standard Materials:

- UNY, UNF unions – 1/2" to 1" – steel
- UNY, UNF unions – 1 1/4" to 6" – *Feraloy*® iron alloy
- UNL, UNA unions – *Feraloy* iron alloy
- EL elbows – *Feraloy* iron alloy or ductile iron

Standard Finishes:

- Steel – electrogalvanized with chromate treatment
- *Feraloy* iron alloy, malleable iron – electrogalvanized and aluminum acrylic paint

Options:

- Copper-free aluminum – add suffix SA to Cat. No. (not available on UNA or 5" and 6" UNY/UNF)

† See compliances for classification of each product.

Certifications and Compliances:

- NEC/CEC:
 - Class I, Division 1 & 2, Groups A,B,C,D
 - Class II, Div. 1, Groups E,F,G
 - Class II, Division 2, Groups F,G
- Class III
 - EL 1/2", 3/4", 1"
 - UNF/UNY 105, -215, -205, -305
 - UNL 105, -125, -215, -205
- Class I, Division 1 & 2, Groups B,C,D
- Class II, Division 1, Groups E,F,G
- Class II, Division 2, Groups F,G
- Class III
 - UNF/UNY406, -506, -606, -706, -806, -905, -1005

Class I, Division 1 & 2, Groups C,D
 Class II, Division 1, Groups E,F,G
 Class II, Division 2, Groups F,G
 Class III
 EL, UNF, UNL, UNY - all sizes

Class I, Division 1 & 2, Group D
 Class II, Division 1, Groups E,F,G
 Class II, Division 2, Groups F,G
 Class III
 UNA

- UL Standard: 886
- CSA Standard: C22.2 No. 30

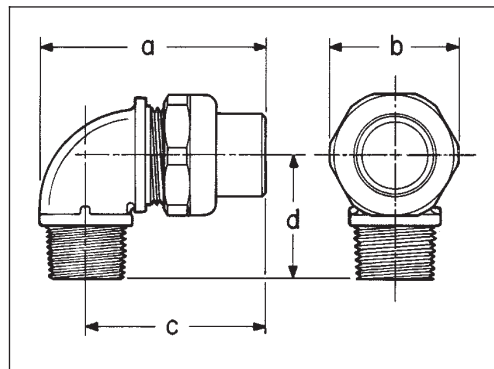


UNL

90° Angle

Size	Cat. #
1/2 to 1/2	UNL105
3/4 female to 1/2 male	UNL125
1/2 female to 3/4 male	UNL215
3/4 to 3/4	UNL205

Dimensions



1/2" - 4"



5" - 6"

UNY Male

Size	Cat. #
1/2	UNY105
1/2 female to 3/4 male	UNY215
3/4	UNY205
1	UNY305
1 1/4	UNY405
1 1/4	UNY406
1 1/2	UNY505
1 1/2	UNY506
2	UNY605
2	UNY606
2 1/2	UNY705
2 1/2	UNY706
3	UNY805
3	UNY806
3 1/2	UNY905
4	UNY1005
5	UNY012
6	UNY014



1/2" - 4"



5" - 6"

UNF Female

Size	Cat. #
1/2	UNF105
3/4 to 1/2	UNF215
3/4	UNF205
1	UNF305
1 1/4	UNF405
1 1/4	UNF406
1 1/2	UNF505
1 1/2	UNF506
2	UNF605
2	UNF606
2 1/2	UNF705
2 1/2	UNF706
3	UNF805
3	UNF806
3 1/2	UNF905
4	UNF1005
5	UNF012
6	UNF014

Size	UNY Length	Max. Dia.	UNF Length	Max. Dia.
1/2	2 3/8	1 1/2	1 13/16	1 1/2
3/4-1/2	2 7/16	1 13/16	1 3/4	1 13/16
3/4	2 7/16	1 13/16	1 3/4	1 13/16
1	2 3/4	1 7/8	2	1 7/8
1 1/4	3 3/16	2 3/4	2 1/4	2 3/4
1 1/2	3 9/16	3 1/16	2 5/8	3 1/16
2	3 3/4	3 13/16	2 9/16	3 13/16
2 1/2	4 5/8	4 5/8	3 3/16	4 5/8
3	5	5 1/16	3 7/16	5 1/16
3 1/2	5 1/2	5 11/16	4 1/8	5 11/16
4	5 5/8	6 3/16	4 1/8	6 3/16
5	5 1/4	8 3/16	3 13/16	8 3/16
6	5 3/8	9 5/16	3 13/16	9 5/16

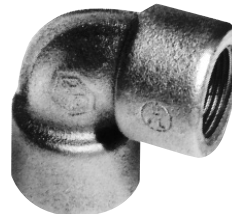
Dim.	105	125	215	205
a	2 1 1/16	2 1 1/16	2 7/8	2 7/8
b	1 17/32	1 13/16	1 13/16	1 13/16
c	2 1/16	2 1/4	2 1/4	2 1/4
d	1 7/16	1 7/16	1 5/8	1 5/8



Male (with removable nipple)



90° Male



90° Female



45° Female



90° Male and female

UNA

Male

Size	Cat. #
1/2	UNA16
3/4	UNA26
1	UNA36

EL

90° Male

Size	Cat. #
1/2	EL195
3/4	EL295
1	EL395

90° Female

Size	Cat. #
1/2	EL19*
3/4	EL29*
1	EL39*
1 1/4	EL49*
1 1/2	EL59*
2	EL69*
2 1/2	EL79

45° Female

Size	Cat. #
1/2	EL1
3/4	EL2
1	EL3
1 1/4	EL4
1 1/2	EL5
2	EL6
2 1/2	EL7
3	EL8
3 1/2	EL9
4	EL10

90° Male and Female

Size	Cat. #
1/2	EL196*
3/4	EL296*
1	EL396*
1 1/4	EL496

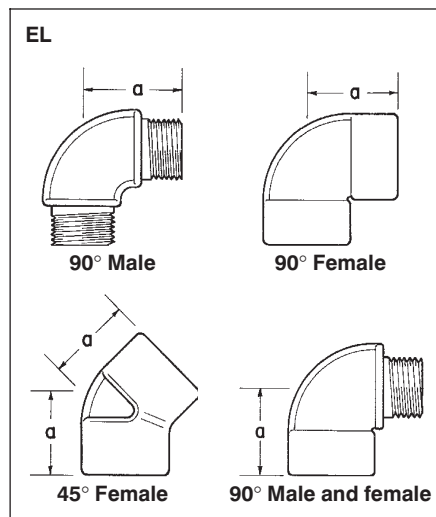
* Available in copper free aluminum – add suffix SA to catalog number.

Dimensions

UNA

Male

Size	Length	Width
1/2	4 5/16	2 5/8
3/4	4 13/16	2 7/8
1	5 1/16	3 1/2



EL

45° Female

Size	a
1/2	1 3/16
3/4	1 3/8
1	1 21/32
1 1/4	1 3/4
1 1/2	1 15/16
2	2 1/4
2 1/2	2 3/4
3	3 1/6
3 1/2	3 7/16
4	3 5/8

90° Male

Size	a
1/2	1 7/16
3/4	1 5/8
1	1 7/8

90° Female

Size	a
1/2	1 17/32
3/4	1 3/4
1	2
1 1/4	2 1/4
1 1/2	4
2	5
2 1/2	6 7/16

90° Male & Female

Size	a
1/2	1 17/32
3/4	1 5/8
1	1 7/8
1 1/4	2 1/8

† See compliances for classification of each product.

Application:

UNF/UNY expansion unions are designed to be used in all threaded rigid metal† conduit systems indoors and outdoors, in hazardous locations to:

- connect conduit to conduit
- connect conduit to a junction box or device enclosure
- compensate for conduit cut too short
- allow for expansion and contraction of conduit
- connect stub-ups to threaded conduit
- replace sections of conduit runs

Features:

- Compact design
- Internal beryllium copper grounding spring to insure positive grounding continuity.
- Knurled surface on body and sleeve allows secure gripping with wrench.
- Steel construction for maximum strength.
- Available in two styles – short length where space is limited, long length when extra expansion is required.

Standard Materials:

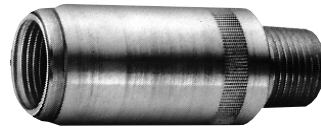
- Body and sleeve – steel
- Grounding spring – beryllium copper

Standard Finishes:

- Steel – electrogalvanized with chromate finish
- Beryllium copper – natural

Certifications and Comiances:

- NEC/CEC:
 - Class I, Division 1 & 2, Groups C,D
 - Class II, Division 1, Groups E,F,G
 - Class II, Division 2, Groups F,G
 - Class III
- UL Standard: 886
- CSA Standard: C22.2 No. 30



UNYL



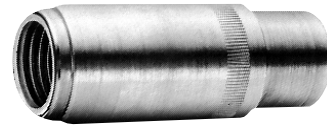
UNYL with sleeve extended

**UNY
Male – Short**

Conduit Size	Cat. #
1/2	UNY17
3/4	UNY27
1	UNY37

**UNYL
Male – Long**

Conduit Size	Cat. #
1/2	UNYL17
3/4	UNYL27
1	UNYL37



UNFL



UNFL with sleeve extended

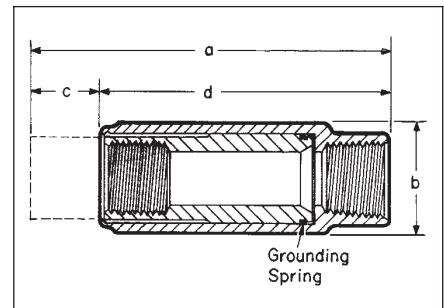
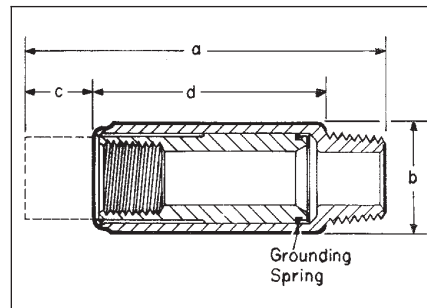
**UNF
Female – Short**

Conduit Size	Cat. #
1/2	UNF17
3/4	UNF27
1	UNF37

**UNFL
Female – Long**

Conduit Size	Cat. #
1/2	UNFL17
3/4	UNFL27
1	UNFL37

Dimensions



Size	Dimension			
	a*	b	c**	d
UNY				
1/2	3 5/16	1 3/16	1/2	2 1/16
3/4	3 3/8	1 7/16	1/2	2 1/8
1	3 13/16	1 11/16	5/8	2 1/4
UNYL				
1/2	4 5/16	1 3/16	1	2 9/16
3/4	4 1/2	1 7/16	1 1/16	2 11/16
1	5 3/16	1 11/16	1 5/16	2 15/16

Size	Dimension			
	a*	b	c**	d
UNF				
1/2	3 3/8	1 3/16	1/2	2 7/8
3/4	3 7/16	1 7/16	1/2	2 15/16
1	3 13/16	1 11/16	5/8	3 3/16
UNFL				
1/2	4 3/8	1 3/16	1	3 3/8
3/4	4 9/16	1 7/16	1 1/16	3 1/2
1	5 1/8	1 11/16	1 5/16	3 13/16

† Suitable with intermediate Metal Conduit in non-hazardous locations
* Overall length at maximum expansion
** Maximum expansion