

► Model 300

# SelecTone® Amplified Speaker



Federal Signal's SelecTone® Model 300 is a lightweight and compact, solid-state amplified speaker designed to amplify a pre-selected tone over existing ambient noises. The speaker cone and projector are made of spun aluminum. The internal amplifier circuitry and tone module are contained in a housing of die-cast aluminum. Dust- and moisture-proof gasketing provides protection from the elements. All external components are sealed with powder-coat paint.

SelecTone Amplified Speakers are used individually or as part of a plant-wide emergency notification system. The Model UTM Universal Tone Module, with 32 tones, or the TM33 Custom Tone Module is plugged into a single SelecTone Amplified Speaker for stand-alone use or into a SelecTone Command Unit for plant-wide signaling.

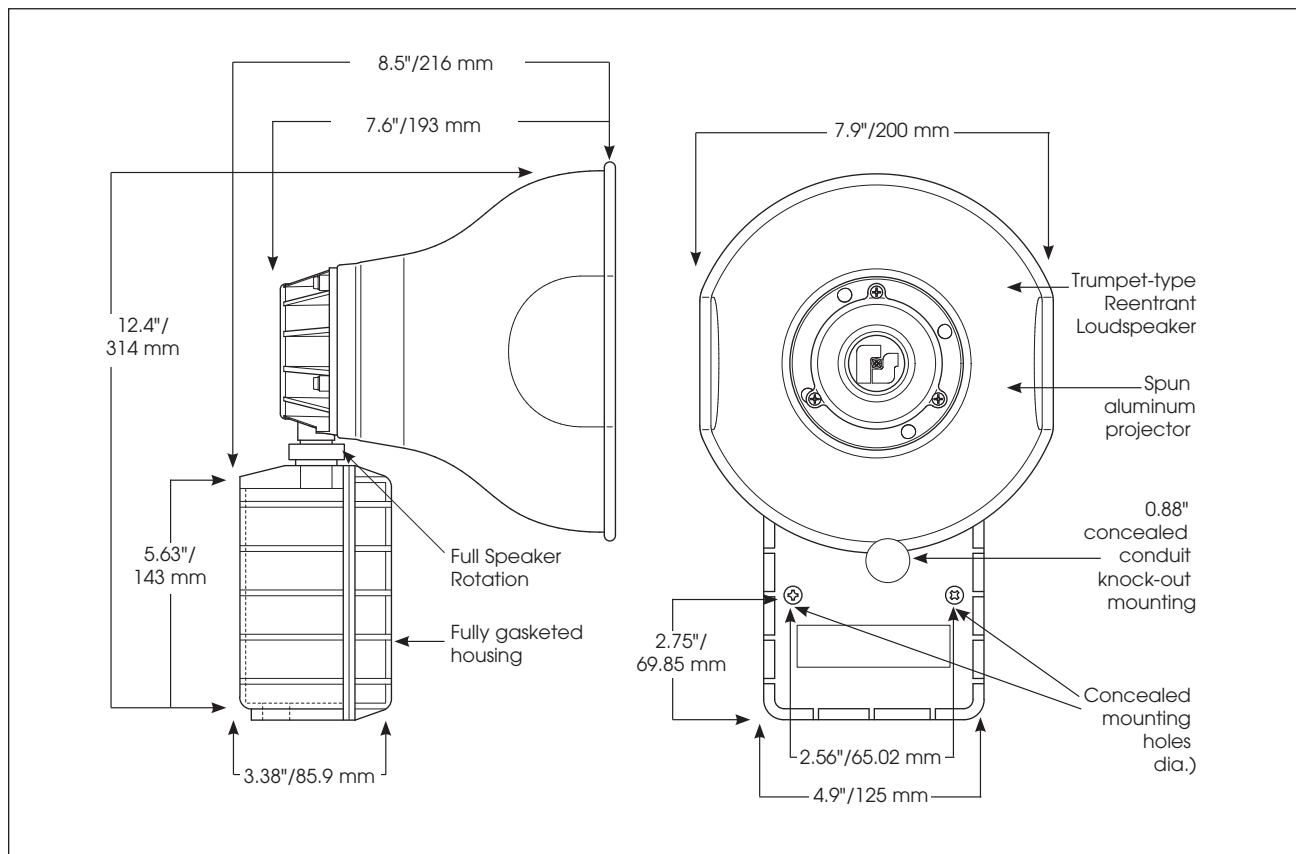
Model 300 speaker/amplifiers are ideally suited for full output tone signaling where voice paging is not a requirement. Typical applications include emergency warning, start and dismissal, general alarm, smelters and cranes.

## FEATURES

- Available in 250VDC
- Compatible with Federal Signal UTM Tone Module
- Produces 110 dBa @ 10' (120 dBa @ 1m)
- Type 3R enclosure
- Indoor/outdoor use
- UL and cUL Listed

MODEL	VOLTAGE	OPERATING CURRENT	STANDBY CURRENT	DECIBELS	
				10'	1M
<b>300-250</b>	250VDC	0.072 amps	N/A	110	120

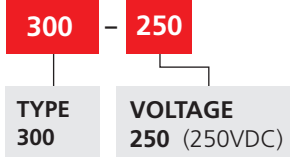
## SelecTone® Amplified Speaker (300)



### SPECIFICATIONS

Operating Temperature:	-31°F to 151°F	-35°C to 66°C
Net Weight:	5.0 lbs	2.3 kg
Shipping Weight:	6.1 lbs	2.8 kg
Height:	12.4"	314.0 mm
Width:	7.9"	200.0 mm
Depth:	8.5"	216.0 mm

### HOW TO ORDER



### REPLACEMENT PARTS

Description	Part Number
Amplifier Assembly, 250VDC	K2001903B
Voice Coil, Series C	K8593035A
Speaker Assembly	K8593082A

#### Specify Tone Module:

- For stand alone operation
- UTM** – Universal Tone Module  
(Reference page 199 for list of tones)
- TM33** – Custom Tone Module  
(Reference page 201 for list of tones)

#### Specify Connector Kit:

- (sold separately) for use in systems
- Call factory for system design assistance.
- (Reference page 202 for Connector Kits)

- AM25CK** – 25 Vrms, 1 Vrms
- AM70CK** – 70 Vrms, 1 Vrms
- 300CK** – 10 Vrms, 1 Vrms
- T-300CK** – 2.7 Vrms, 1 Vrms
- E-300CK** – 1 Vrms, 1 Vrms