

► Models 3H and 6H

## Air Horns



Models 3H and 6H air horns offer the industrial market a variety of tones and sizes to meet a wide-range of needs. Our air horns feature corrosion-resistant cast aluminum alloy housing and include long-lasting stainless steel diaphragms.

These precisely machined horns will yield peak performance at proper working air pressures and are virtually indestructible. The 3-inch horn (Model 3H) has a threaded female pipe connection. The Model 6H features flanges for additional support. The horn frequency (pitch) depends on both the diameter and length of the projector.

The 3H and 6H air horns can be used indoors, outdoors, or anywhere compressed air can be provided. They also are the loudest audible signals offered for indoor applications. The horns require a 120VAC Federal Signal air valve (sold separately). Use Model EVS with the 3H and Model EVL with the 6H. They are not subject to sparking and are ideal for hazardous locations (valves need to be located in a non-hazardous location).

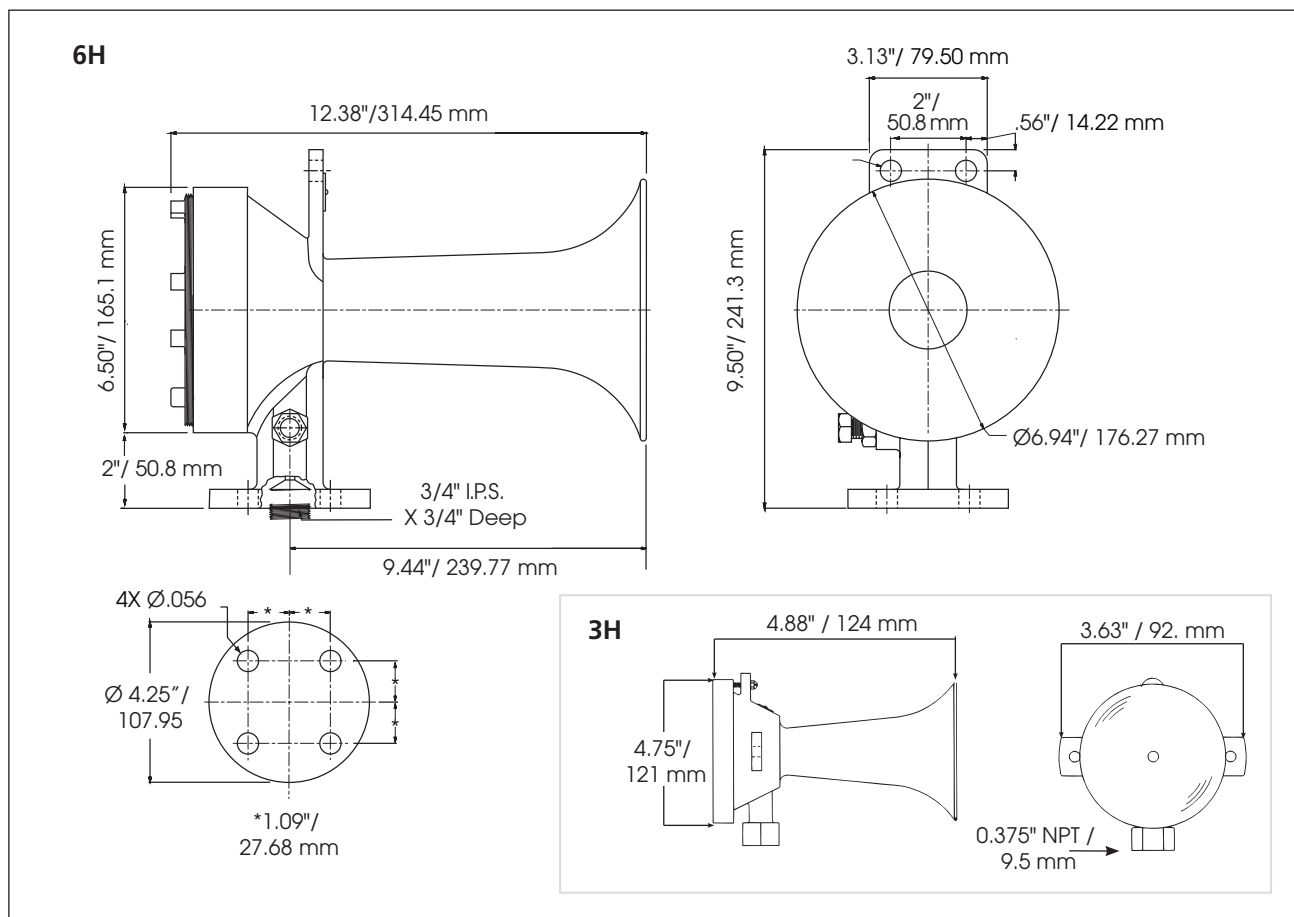
### FEATURES

- Available in 120VAC
- Wide variety of tones and sizes
- For indoor/outdoor use
- Cast aluminum housing
- Stainless steel diaphragm
- Type 4X enclosure
- 20 to 150 p.s.i. (pounds per square inch)
- Compresses air activation
- Tuned for 80 to 90 p.s.i. operation

MODEL	AIR CONSUMPTION CUBIC FT./SEC.	VALVE MODEL*	FREQUENCY	DECIBELS	
				10'	1M
<b>3H</b>	0.20	EVS-120	750Hz	112	122
<b>6H</b>	0.45	EVL-120	295Hz	122	132

\*120VAC valves sold separately

## Air Horns (3H/6H)



### SPECIFICATIONS

Net Weight:		
3H	1.6 lbs	0.73 kg
6H	9.7 lbs	4.4 kg
Shipping Weight:		
3H	2.1 lbs	0.95 kg
6H	11.4 lbs	5.17 kg
Height:		
3H	4.75"	121 mm
6H	9.5"	241 mm
Width:		
3H	6.63"	92 mm
6H	6.5"	165.1 mm
Length:		
3H	4.88"	124 mm
6H	12.38"	314 mm
Diaphragm Diameter:		
3H	3.0"	76 mm
6H	5.0"	152 mm
Pipe Size:		
3H	0.38"	9.5 mm
6H	0.75"	19 mm

### HOW TO ORDER

**Specify Model:**

**3H** – Air Horn, 3", high pitch

**6H** – Air Horn, 6", high pitch

**Specify Valve Model:** (sold separately)

**EVS-120** – Valve for 3H

**EVL-120** – Valve for 6H