



► Model AD-26, AD-27, AD-56 and AD-57

# Atkinson Dynamics Wall Mount Intercom

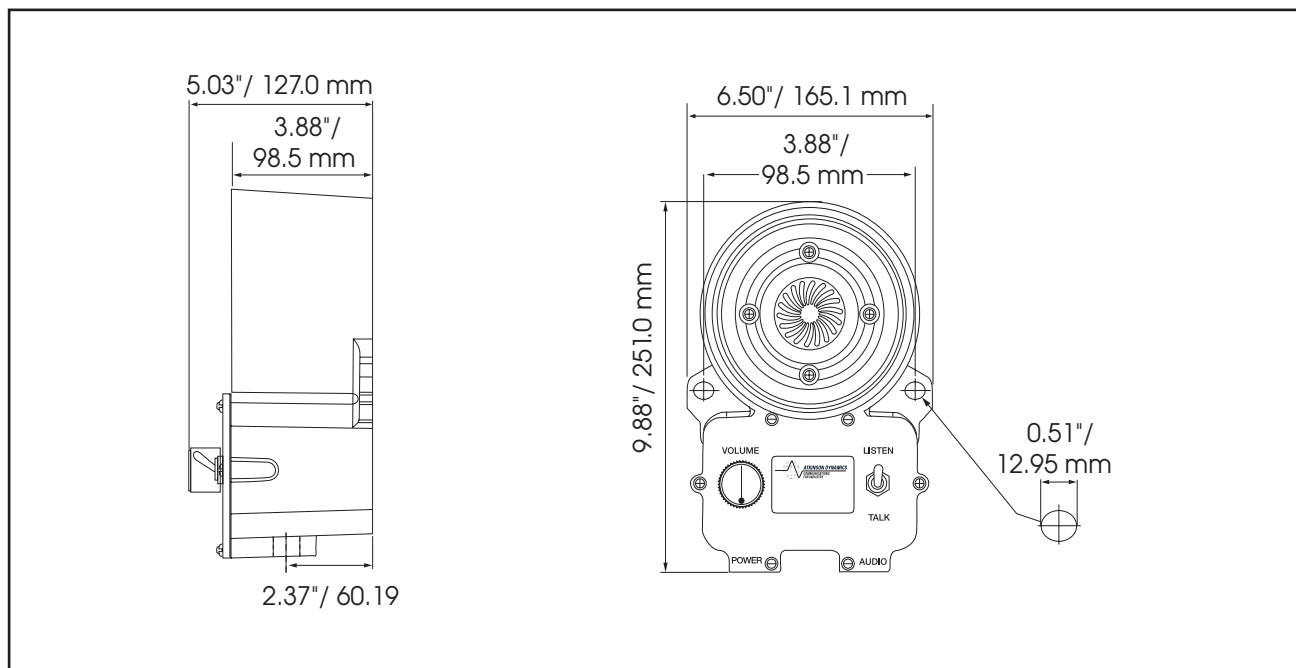
Designed for single-channel, two-way indoor and outdoor communication applications, Wall-Mount Intercoms feature integrated volume control, TALK/LISTEN switch, corrosion resistant cast aluminum housing with rugged powder coat finish (Type 4X, IP56 enclosure), reliable 25-watt speaker, and balanced line output. These heavy duty units are UL listed, CSA Certified and Marine rated; and available in 12 or 24VDC and 120 or 240 VAC, 50/60Hz models.

## FEATURES

- Available in 12 or 24VDC and 120 or 240VAC, 50/60Hz
- Heavy-duty industrial intercom for indoor or outdoor application
- Single channel, two-way communications
- Integrated volume control and Talk/Listen switch
- Balanced line output
- 25 watt speaker
- Cast aluminum housing with rugged powder coat finish
- Type 4X, IP56 enclosure
- UL listed, CSA Certified, Marine Rated

MODEL	VOLTAGE	OPERATING CURRENT	STANDBY CURRENT	FREQUENCY RESPONSE
<b>AD-26</b>	12VDC	1.47A	100mA	320Hz to 8.0Khz
<b>AD-27</b>	120VAC	240mA	83 mA	320Hz to 8.0Khz
<b>AD-56</b>	24VDC	1.65A	100mA	320Hz to 8.0Khz
<b>AD-57</b>	240VAC	127mA	83mA	320Hz to 8.0Khz

## Atkinson Dynamics Wall Mount Intercom (AD-26, AD-27, AD-56 and AD-57)



### SPECIFICATIONS

Product Specifications		
Speaker Rating		30 watt
Operating Temperature	-31°F to 150°F	-50°C to 66°C
Net Weight	9 lbs	4.08 kg
Shipping Weight	11 lbs	4.99 kg
Dimensions:		
Height	9.88"	251.0 mm
Width	6.5"	165.1 mm
Depth	5.03"	127.0 mm

### HOW TO ORDER

#### Step 1: Specify Base Model

- AD-26** (12VDC, Wall Mount Intercom)
- AD-27** (120VAC, Wall Mount Intercom)
- AD-56** (24VDC, Wall Mount Intercom)
- AD-57** (240VAC, Wall Mount Intercom)

#### Step 2: Add Optional Features

Example Part Number: AD-27A

### OPTIONAL FEATURES

Description	Optional Feature
Call Button, Sends call tone to other intercoms on the same audio line	A
Master, controls Talk/Listen function of a Slave unit	C
Slave, allows hands free operation, default Talk mode	D
Remote Power, 120VAC unit can supply power to a 12VDC unit remotely	-1
Foot Pedal Ready, hands free operation of the Talk/Listen switch, pedal sold separately (ADFP)	-2
Auxiliary Signal, remote call button activated contact closure to activate remote strobe for additional attention gathering*	-3
Zoned System Remote, designed to be a remote unit in a zoned system. (Contact factory for zone design assistance)	-6
Noise Cancelling Microphone Ready, equipped with a jack for hand held microphone sold separately	-7
Pre-Amp Equipped, pre-amp to power a remote speaker	-8
Remote Volume Control Equipped, equipped with volume control for remote speaker	-M44
Note: Some restrictions apply when combining optional features. Consult factory for details.	

\*LP3 strobe sold separately