

Hazardous Location Light Mounting Kit

Models LHWB



CUSTOM MOUNTING BRACKETS

- Heavy-duty construction
- Easy installation
- For wall mount applications
- Replaces unsightly and hazardous makeshift supports
- Provides 3/4-inch NPT standard pipe mount
- Indoor and outdoor use
- Class I, Division 2
- Type 4X
- IP66
- UL and cUL listed

Federal Signal's Model LHWB Hazardous Location mounting bracket is specifically designed for use with Federal Signal's stationary warning lights to provide an easy and consistent means of securely mounting lights throughout a facility. The bracket features a 3/4-inch NPT male pipe connection. Optional bushings are available for 1/2-inch and 1 inch fixture mounting.

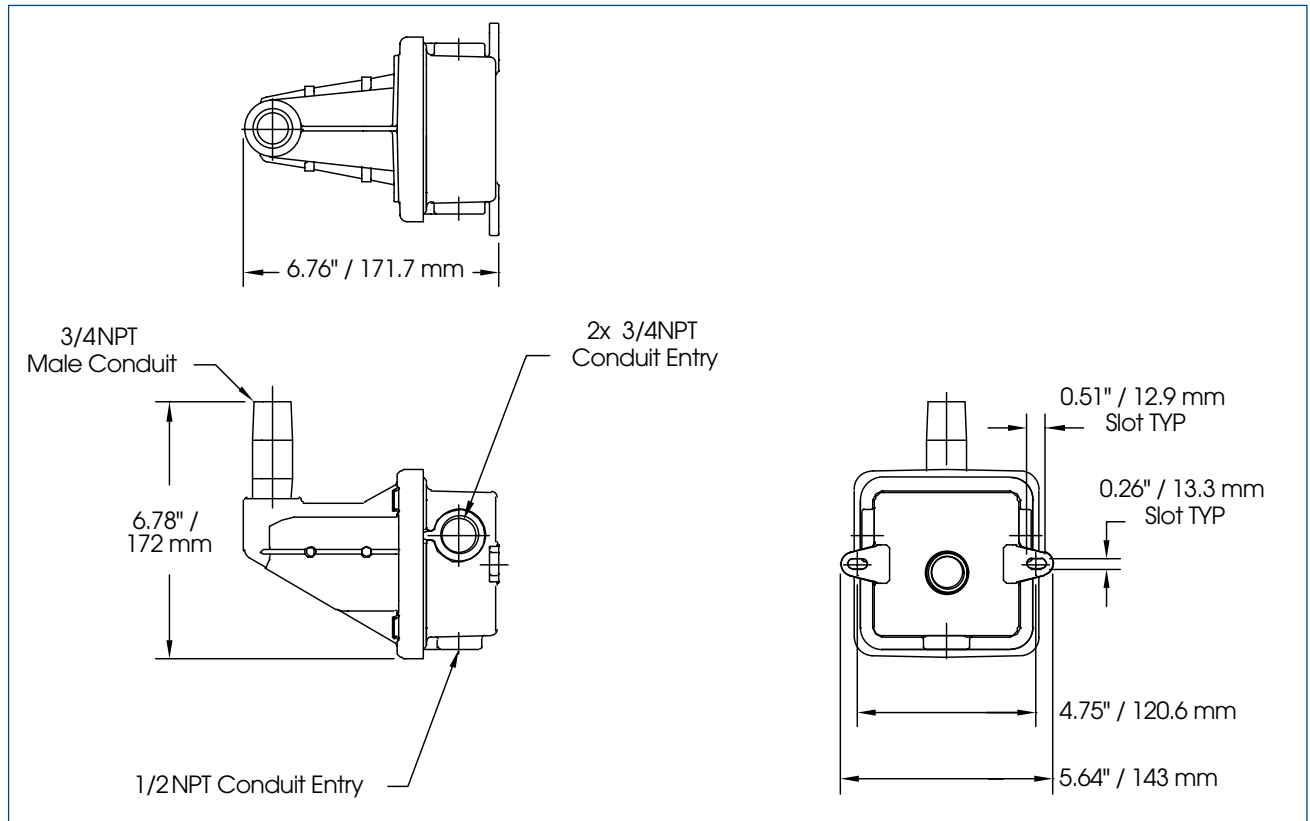
Model LHWB is constructed of durable cast aluminum and sealed with a durable black powder coat paint. Easy to install, these units can be wired through either the 1/2-inch or 3/4-inch conduit openings located in the weatherproof back box, included. Each kit includes a bracket, weatherproof back box and hardware kit. Easy installation, heavy-duty construction and a professional appearance make this bracket suitable for use in commercial, institution and industrial environments.

The LHWB bracket is UL Listed for Class I, Division 2, Groups A, B, C and D; Class II Division 2, Groups F and G; and Class III. This bracket may NOT be used in Class II, Division 1 applications. It is NEMA 4X and IP66 rated when used with the appropriate conduit fittings.

Model	Height	Width	Extension	Net Weight	Shipping Weight
LHWB	6.78"	5.64"	6.76"	2.0 lbs.	2.3 lbs.



HAZARDOUS LOCATION LIGHT MOUNTING KIT (LHWB)



SPECIFICATIONS

Operating Temperature:	-58°F to 150°F	-50°C to 66°C
Net Weight:	2 lbs.	0.91 kg
Shipping Weight:	2.3 lbs.	1.04 kg
Height:	6.78"	172.2 mm
Width:	5.64"	143.2 mm
Depth:	6.76"	171.7 mm

HOW TO ORDER

- Specify Model
LHWB – Wall Bracket

REPLACEMENT PARTS AND OPTIONAL EQUIPMENT

<i>Description</i>	<i>Part Number</i>
Hardware Kit, LHWB	K2881358A
Terminal Block Kit (8 connector) for WB	KIT-WBTB