

► Model SSTX3-MV

Explosion-Proof Remotely Selectable Electronic Siren



SSTX3-MV is an economical yet explosion-proof electronic siren capable of producing three high decibel tones from the same unit. The integrated circuitry is contained in a rugged die cast aluminum housing. The unique threaded rear access cover eliminates traditional time consuming bolting patterns. The access cover is also equipped with a braided cable lanyard securing it to the housing whenever the cover is open for installation or maintenance.

The Model SSTX3-MV can be used as a stand-alone, full output, audible warning device in any explosion-proof environment where multiple tones are needed but voice paging is not required.

Typical uses include emergency warning, start and dismissal, general alarm and evacuation.

FEATURES

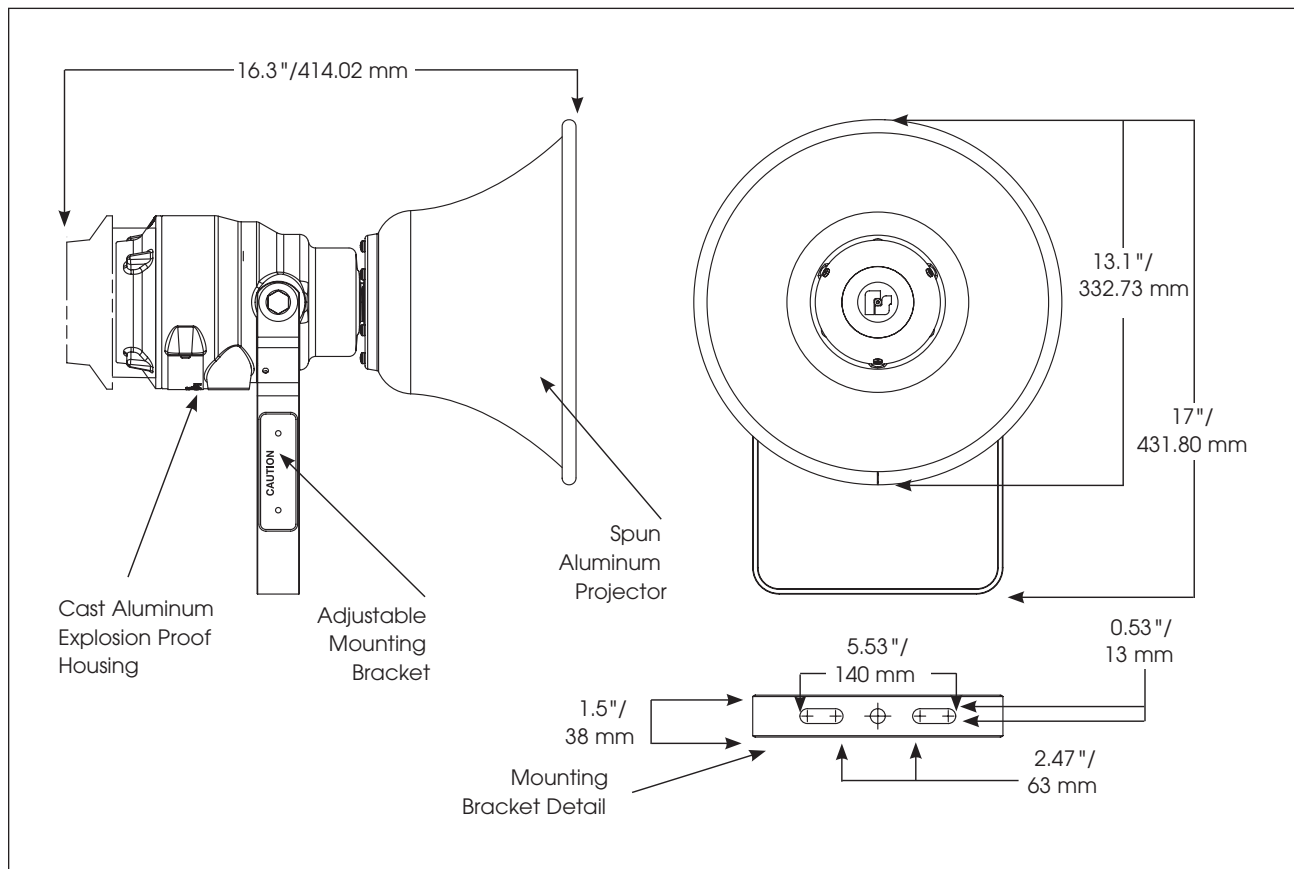
- Multi-voltage design – accepts 24VDC, 120VAC or 240VAC
- Produces three user activated tones – wail, yelp and horn
- Produces 101-108 dBa @ 10' (111-118 dBa @ 1m)
- Cast copper free aluminum housing, spun aluminum projector
- Indoor and outdoor use
- NEMA 4X, IP66 enclosure
- UL Listed and cUL Listed for Class 1, Division 1, Groups B, C and D

MODEL	VOLTAGE	OPERATING CURRENT	TONE	DECIBELS	
				10'	1M
SSTX3-MV	24VDC	600 mA	Wail	108	118
	120VAC	210 mA	Yelp	108	118
	240VAC	120 mA	Horn	101	111

HAZARDOUS LOCATION RATING: SSTX3-MV

T-CODE AT MAXIMUM AMBIENT TEMPERATURE, °C		
HAZARDOUS LOCATION	40 °C	66 °C
Class I, Division 1, Groups B, C & D	T6	T6
Class I, Division 2, Group A	T3B	T3
Class II, Division 2, Groups F & G	T6	T6
Class III	T6	T6

Electronic Siren (SSTX3-MV)



SPECIFICATIONS

Operating Temperature:	-67°F to 151°F	-55°C to 66°C
Net Weight:	15.4 lbs	7.0 kg
Shipping Weight:	22.8 lbs	10.4 kg
Height:	17.0"	431.80 mm
Width:	13.1"	332.73 mm
Depth:	16.3"	414.02 mm

HOW TO ORDER

Specify Model:
SSTX3-MV – Siren, electronic, remotely selectable, explosion-proof, multi-voltage

REPLACEMENT PARTS

Description	Part Number
Connector, 4-Position	K140340B
PC Board Assembly	K2001177D-01
Projector Assembly	K8593100A