

INSTRUCTION/INSTALLATION SHEET

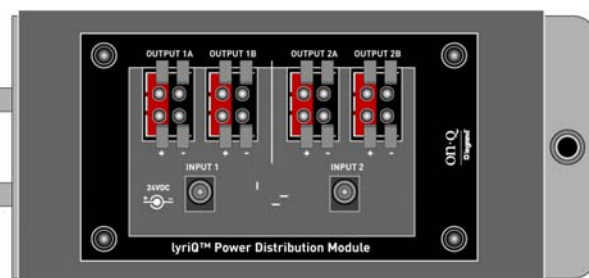
lyriQ™ High Performance Keypad Volume Control Power Distribution Module

IS-0370 REV. O

1. Introduction

The lyriQ™ High Performance Keypad Volume Control Power Distribution Module, P/N AU1001 (see **Figure 1**), is a component used to power multiple lyriQ™ High Performance Keypad Volume Controls. It is typically installed in the On-Q Enclosure and provides power for up to four volume controls.

Figure 1



2. Description

The lyriQ™ High Performance Keypad Volume Controls, P/N AU1000-xx utilize two on-board 20 Watt per channel class D amplifiers. These amplifiers require more current carrying capability than Cat 5 cable can support. That is where the AU1001 Power Distribution Module comes in. The front panel of the lyriQ™ High Performance Keypad Volume Control Power Distribution Module, PN AU1001 (see **Figure 1**), contains four sets of four spring loaded terminal blocks, each supporting up to 14 gauge speaker wire. The connections are labeled “+” (plus) and “-” (minus) and are also color-coded red for the two plus connections and black for the two minus connections. Although each connection is designed to support up to 14 gauge speaker wires, we recommend utilizing 16/4 speaker wire, since it is more readily available in a paired fashion with Category 5 cable. In that way, one cable can be run to each volume control location as shown in **Figure 2**.

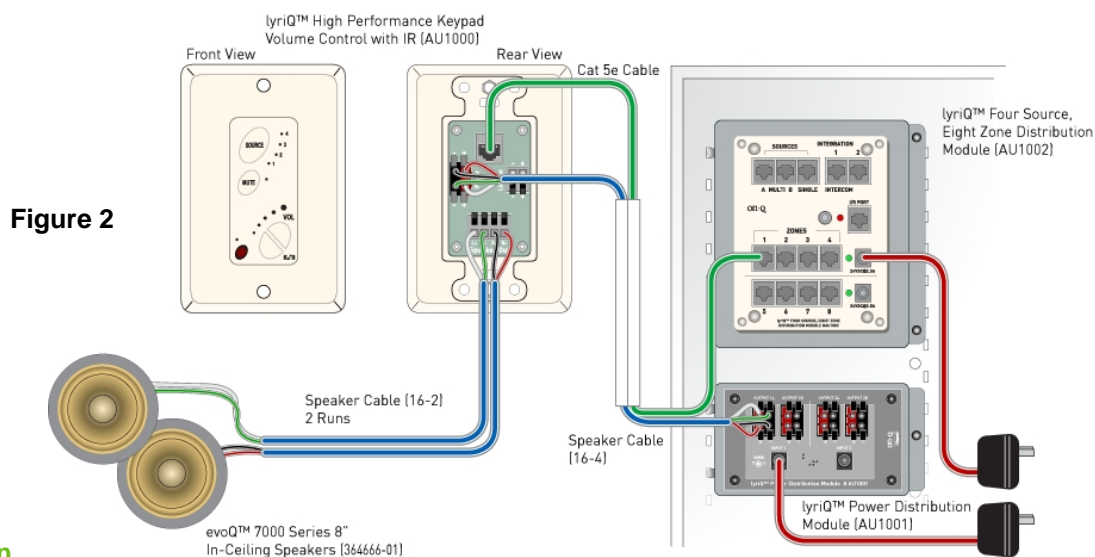


Figure 2

3. Installation

Installation of the Power Distribution Module is typically accomplished at “Trim-out”.

NOTE: “Rough-in” steps should have included running cables from the enclosure to each volume control location. Before connecting the volume controls, make sure that power supplies are not connected to the lyriQ™ Audio and Power Distribution Modules. For instructions on pre-wiring and installing other components of the lyriQ™ Audio System, please see the Instruction Sheets included with those components.

INSTRUCTION/INSTALLATION SHEET

lyriQ™ High Performance Keypad

Volume Control Power Distribution

Module

IS-0370 REV. 0

A. "Trim-out" steps: Connections in the enclosure (see **Figure 3**):

- 1) The Category 5 cable that was run to each volume control location should be terminated with an RJ45 plug according to the T568A wiring standard and inserted into one of the zone output jacks of the associated lyriQ™ audio distribution module.
- 2) For the 16/4 speaker wire power cable that was run to each volume control location, strip 3/8" of insulation from each of the four conductors and insert the red and white wires into the red (plus) portion of TB1. Insert the stripped black and green wires into the black (minus) portion of TB1.

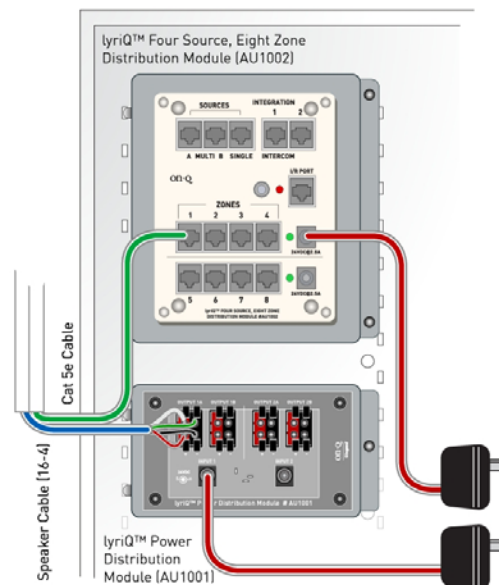
NOTE: The two red connections are tied together, as are the two black connections. They are provided in pairs to provide flexibility of wiring.

NOTE: Electricians may prefer to think of the black and red wires as plus and the green and white wires as minus. That wiring will also work, as long as it is also followed at each end of the cable.

- 3) After all Cat 5e and 16/4 cabling is connected, connect the one or two 24VDC power supplies to the Power Distribution Module, and any associated power supplies to the lyriQ™ Audio Distribution Module and plug those power supplies into an AC outlet.

NOTE: Each power supply is capable of powering up to two volume controls.

Figure 3



4. Important Safety Precautions:

READ ALL INSTRUCTIONS CAREFULLY BEFORE INSTALLING THE lyriQ™ AUDIO SYSTEM.

- **Do not** attempt to service, move or change any component of this system unless you are qualified to do so.
- This system should be installed by a qualified installer and must conform to all local building and electrical codes.
- **Do not** apply power to the lyriQ™ Audio System until all components have been installed and all wiring has been properly terminated.
- **Do not** attempt to terminate, change or un-install any wiring without first turning off power at the lyriQ™ Audio System which is located in the enclosure. Unplug the power transformer/s that is/are powering the lyriQ™ Audio System from the power outlet before proceeding with wiring terminations or changes.
- Install each component of this system away from heat sources such as HVAC ducts/registers, stoves or any other heat source.
- **Do not** expose any component that was designed for indoor use to moisture. Doing so can create electrical hazards or render the component unusable. Exposure to moisture will also void the warranty on the system.
- Only use a damp cloth to clean the cover plates of the system components. Do not use vacuum cleaners, liquid or aerosol cleaners.