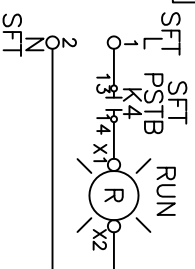


PILOT DEVICES

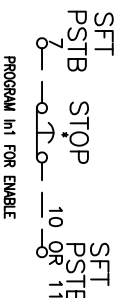
NONE

RED RUN LIGHT



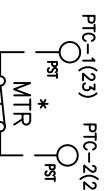
REMOTE STOP

WRITE THIS SECTION 16 BLUE



PROGRAM IN FOR ENABLE

PTC INPUT/ANALOGUE OUTPUT



NOTE - SEE PRODUCT MANUAL FOR ADDITIONAL CONFIGURATIONS FOR THESE TERMINALS (E.G., ANALOG OUTPUT)

THE PTC INPUT USES THE SAME TERMINALS AS THE ANALOGUE OUTPUT AND ONLY ONE OF THESE FUNCTIONS CAN BE USED AT ANY GIVEN TIME.

IT IS RECOMMENDED TO CONNECT TO (23,24) DIRECTLY AND NOT THROUGH A TERMINAL BLOCK.

NOTES

1. ALL CONTROL WIRING TO BE 16 GA. EXCEPT AS NOTED.
2. COLOR OF CONTROL WIRE SHALL BE PER CONTROL VOLTAGE:
 - RED-ALL AC VOLTAGES
 - WHITE WILL BE USED ON THE GROUNDED SIDE OF THE AC CIRCUIT.
 - BLUE-ALL DC VOLTAGES.
3. ALL DEVICES ARE SHOWN DE-ENERGIZED.
4. DO NOT USE SELECTOR SWITCHES WITH AUTO-RESET OVERLOAD RELAYS.
5. CONNECT THE GROUND WIRE TO ONE OF THE TOP SFT STR MOUNTING HOLES ONLY.
6. FOR REMOTE E-STOP OR ENABLE, REMOVE JUMPER.

INTERRUPTION RATINGS

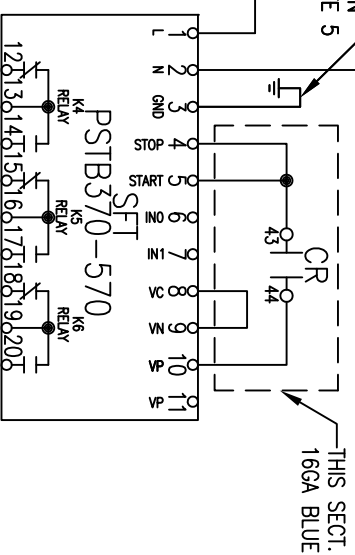
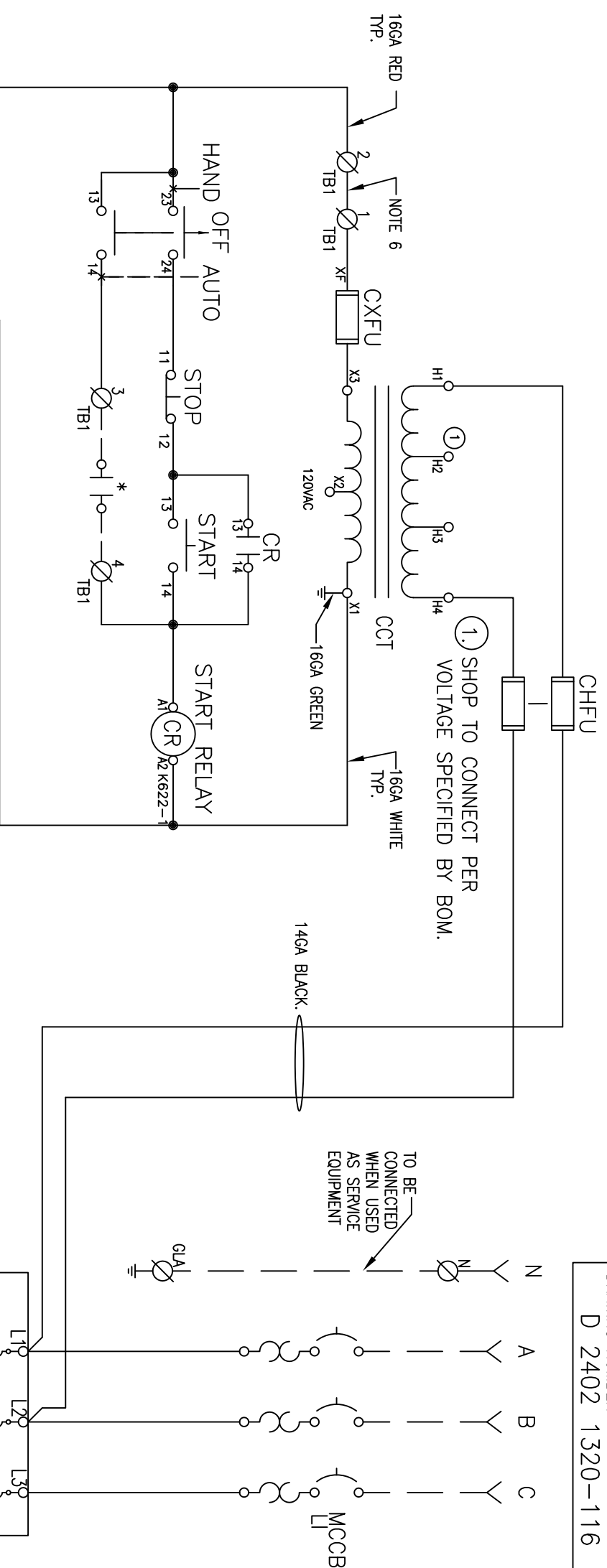
STANDARD:	
PSTB370-470	18 KA480 V
PSTB570-720	30 KA480 V
PSTB840-1050	42 KA480 V

HIGH FAULT, FUSES PER MANUAL/LABELING: 65 KA 600 V

PST NOTES:

1. PROG. INPUT IN0 FACTORY SET FOR RESET FAULT/OL.
2. PROG. RELAY K4 FACTORY SET FOR RUN.
3. PROG. RELAY K5 FACTORY SET FOR AT SPEED.
4. PROG. RELAY K6 FACTORY SET FOR EVENT.
5. FUNCTION MOT 1 le MUST BE SET TO MOTOR FLA.
6. SET INT BYPASS = YES AND EXT BYPASS = NO.

LEGEND	
CCT	CONTROL CIRCUIT TRANSFORMER
CHFU	CCT PRIMARY FUSE
CXFU	CCT SECONDARY FUSE
PTC	THERMISTOR
o 13	CONN POINT ON DEVICE WITH NUMBER
*	REMOTE DEVICE
Ø	CONNECTION POINT AT TERMINAL BLOCK



CAUTION
PRIOR TO CONNECTING THIS UNIT TO THE SUPPLY VOLTAGE, CAREFULLY INSPECT THE DISTRIBUTION SYSTEM FOR THE PRESENCE OF POWER FACTOR CORRECTION CAPACITORS. IF INSTALLED, THEY MUST BE ON THE LINE SIDE OF THE SOFT STARTER AND SWITCHED OUT OF THE CIRCUIT WHILE THE SOFT STARTER IS OPERATING. FOR UNITS EQUIPPED WITH BYPASS, THE CAPACITORS MAY BE RE-ENGAGED DURING BYPASS. FAILURE TO REMOVE THE CAPACITORS WHILE THE SCR'S ARE FIRING WILL RENDER THEM INOPERABLE.

CAUTION
ALL SFT STR CONTROL INPUT TERMINALS ARE SELF-POWERED WITH 24 VDC. EXTERNAL VOLTAGE APPLIED TO THESE TERMINALS WILL RENDER THE UNIT INOPERABLE UNLESS WIRED FOR EXTERNAL 24 VDC PER THE INSTALLATION AND MAINTENANCE MANUAL.

CONNECTION TORQUE:
REFER TO D 2401 1420-188 FOR WIRE TORQUE SPECIFICATIONS.

REV.	REV. LET.	REVISIONS	DATE	APPD BY	REV. LET.	REVISIONS	DATE	APPD BY	THIS DRAWING IS THE PROPERTY OF ABB Inc. AND CONTAINS PROPRIETARY AND CONFIDENTIAL INFORMATION WHICH MUST NOT BE DUPLICATED, USED OR DISCLOSED WITHOUT THE AUTHORIZATION BY ABB Inc.	ABB Inc.	DATE	REV.	TITLE
D	2402	1320-116									2/26/08	A	SCHEMATIC DIAGRAM PSTB370-570 AC1 HOA & S/S, SUSE
												B	DRAWING NUMBER D 2402 1320-116