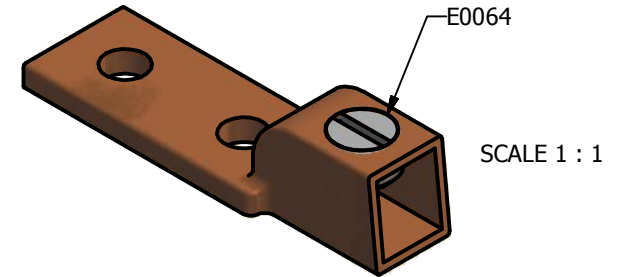
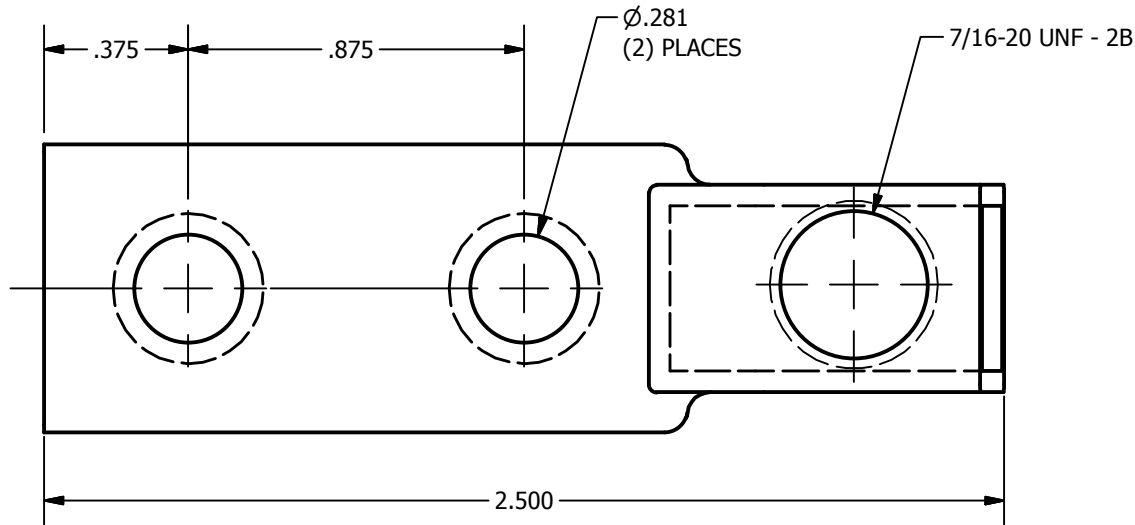


SCREW: E0064	MATERIAL: COPPER	REV: Q	<b>ILSCO</b> connections matter	
CAT. NO.: LO-0-S	PLATING: SEE CHART	DRAWN BY: CLH	SCALE: 2:1	800-776-9775 www.ilsco.com
INFORMATION SHEET: FORM 1	MARKING:  , LO-0-S, 0-14, D462	DATE: 5/30/2007	SIZE: A	DWG. NO. <b>D0462</b>
				SHEET: 1 OF 1



DEVIATION	PLATING
C00B	BRIGHT DIP
A00B	BRIGHT DIP
C00T	EL-TIN
A00T	EL-TIN

