



Delta BreezIntegrity Series (4" duct)

Delta BreezIntegrity series is ENERGY STAR qualified with brushless DC motor engineered to run continuously for a minimum 70,000 hours. UL and cUL listed for tub/shower enclosure when used with GFCI-protected branch circuit wiring.

Features:

Innovative brushless DC motor design for long life, low noise, and low power consumption

- Power rating of 120 volts/60Hz
- Brushless DC motor engineered to run continuously
- Motor equipped with thermal cutoff fuse
- Removable with permanently lubricated plug-in motor
- Built-in soft start function to increase bearings' life
- Automatically powers off when impeller is locked abnormally

Fan/Dimmable LED Light:

- 13-Watt LED light included (equivalent to a 60-Watt incandescent bulb)
- Main light output 850 lumens, 2700K
- Dimmable LED light (dimmer switch not included)

Fan/Edge-lit Dimmable LED Light:

- 13-Watt LED light
- Main light output 1000 lumens, 3000K
- Dimmable LED light (dimmer switch not included)
- 13-Watt integrated dimmable edge-lit LED light lasts up to 30,000 hours

Bluetooth® Speaker:

- Bluetooth® 3.0, Speaker 3W and 4 Ohm
- Play audio through most Bluetooth® wireless devices

The Bluetooth® word mark and logos are registered trademarks owned by Bluetooth® SIG, Inc. and any use of such marks by Delta Electronics, Inc. is under license. Other trademarks and trade names are those of their respective owners.



Fan with Bluetooth® speaker



Fan Only



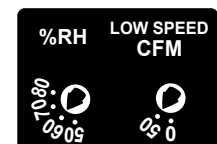
Fan/Edge-lit



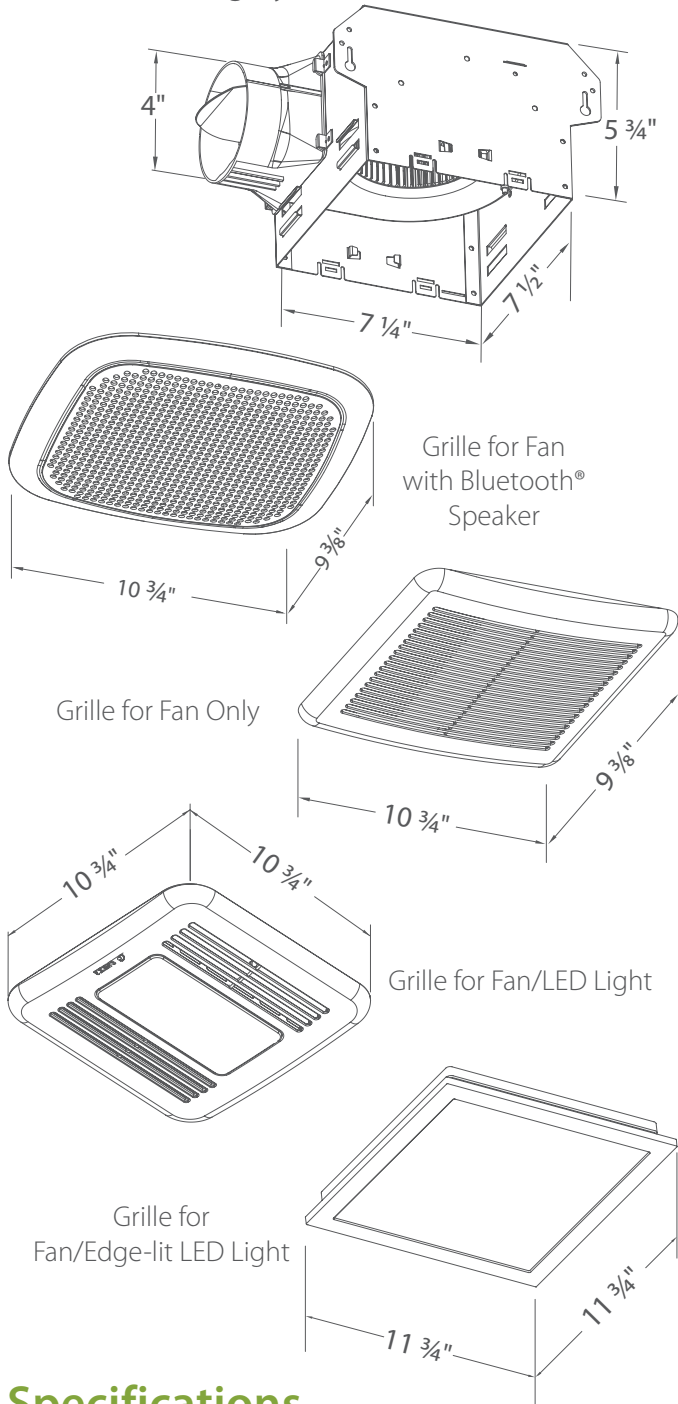
Project Pack

Built-in Controls

ITG80H



BreezIntegrity Series Dimensions



Specifications

ITG50* - 50 CFM Fan



Static Pressure (Inches w.g.)	0.1	0.25
Air Flow (CFM)	50	37
Sones	0.7	1.3
Power Consumption (Watts)	5.0	7.0
Energy Efficiency (CFM/Watts)	12.5	6.7
Current (Amps)	0.14 Max	
Power Rating (V/Hz)	120/60	
Project Pack Components Available ITG-A (housing) and ITG50-B (motor grille)		

ITG50LED* - 50 CFM Fan/Dimmable LED Light



Static Pressure (Inches w.g.)	0.1	0.25
Air Flow (CFM)	50	38
Sones	0.7	1.3
Power Consumption (Watts)	5.0	7.0
Energy Efficiency (CFM/Watts)	11	6.5
Current (Amps)	0.22 Max	
Power Rating (V/Hz)	120/60	
LED Light (Watts)	13	
Project Pack Components Available ITGLED-A(housing) and ITG50LED-B(motor grille)		

ITG70BT* - 70 CFM Fan w/ Bluetooth® Speaker



Static Pressure (Inches w.g.)	0.1	0.25
Air Flow (CFM)	70	59
Sones	1.0	1.5
Power Consumption (Watts)	8.4	10.0
Energy Efficiency (CFM/Watts)	10.6	5.9
Current (Amps)	0.22 Max	
Power Rating (V/Hz)	120/60	

ITG80 - 80 CFM Fan

Static Pressure (Inches w.g.)	0.1	0.25
Air Flow (CFM)	80	60
Sones	1.3	1.4
Power Consumption (Watts)	10.0	12.0
Energy Efficiency (CFM/Watts)	8.4	6.6
Current (Amps)	0.20 Max	
Power Rating (V/Hz)	120/60	
Project Pack Components Available ITG-A (housing) and ITG80-B (motor grille)		

ITG80H - 80 CFM Fan with Humidity Sensor



Fan Speed	Continuous Low Speed		Full Speed	
Static Pressure (Inches w.g.)	0.1	0.25	0.1	0.25
Air Flow (CFM)	50	36	80	60
Sones	0.7	1.0	1.5	1.5
Power Consumption (Watts)	5.0	7.0	10.0	11.0
Energy Efficiency (CFM/Watts)	12.0	6.9	9.0	6.2
Current (Amps)	0.20 Max			
Power Rating (V/Hz)	120/60			
Project Pack Components Available ITGH-A(housing) and ITG80H-B(motor grille)				

ITG80LED - 80 CFM Fan/Dimmable LED Light



Static Pressure (Inches w.g.)	0.1	0.25
Air Flow (CFM)	80	60
Sones	1.3	1.5
Power Consumption (Watts)	11.3	11.5
Energy Efficiency (CFM/Watts)	7.2	6.2
Current (Amps)	0.28 Max	
Power Rating (V/Hz)	120/60	
LED Light (Watt)	13	
Project Pack Components Available ITGLED-A(housing) and ITG80LED-B(motor grille)		

* Product is ENERGY STAR Most Efficient 2018 distinction and ENERGY STAR qualified



Delta BreezIntegrity ITG-CRD Ceiling Radiation Damper

Specifications (cont.)

ITG100 - 100 CFM Fan

Static Pressure (Inches w.g.)	0.1	0.25
Air Flow (CFM)	100	85
Sones	1.5	2.0
Power Consumption (Watts)	17.0	21.0
Energy Efficiency (CFM/Watts)	7.6	5.3
Current (Amps)	0.33 Max	
Power Rating (V/Hz)	120/60	

ITG100ELED - 100 CFM Fan/Edge-lit Dimmable LED Light

Static Pressure (Inches w.g.)	0.1	0.25
Air Flow (CFM)	100	85
Sones	1.5	2.0
Power Consumption (Watts)	17.0	21.0
Energy Efficiency (CFM/Watts)	7.5	5.9
Current (Amps)	0.47 Max	
Power Rating (V/Hz)	120/60	
LED Light (Watt)	13	

The damper employs a folded curtain style blade for point-of-origin control of radiant heat in a ventilation system. ITG-CRD installs in the ceiling membrane for floor/ceiling or roof/ceiling assemblies with a fire resistance rating up to and including 3 hours.

Features:

- UL and cUL listed and exceeds UL 555C for use in 3-hour fire rated assemblies
- Warnock-Hersey certified for use in fire rated floor/ceiling or roof/ceiling assemblies
- Available for use with Delta Breez ITG Series ventilation fans



Delta ITG-DGL Designer Grille

The ITG-DGL designer fan grille is offered as an alternative to the standard grille on Delta Breez ITG50, ITG70BT, ITG80, and ITG80H

Features:

- Adds modern aesthetic to bathroom
- Made of long-lasting ABS material
- Paintable to coordinate with any style bathroom
- Size: 10 3/4" x 10 3/4"

