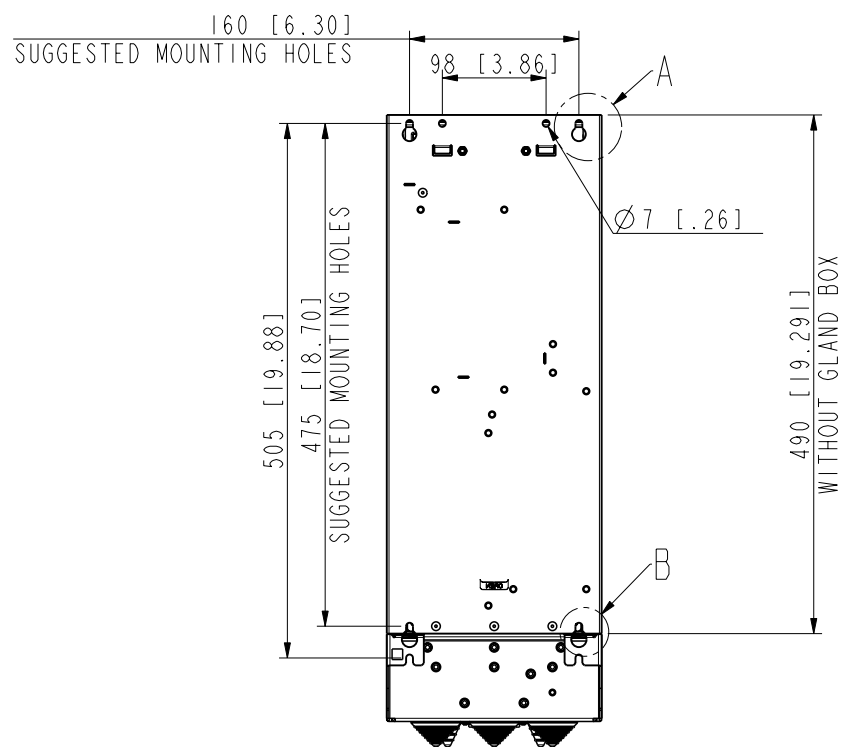
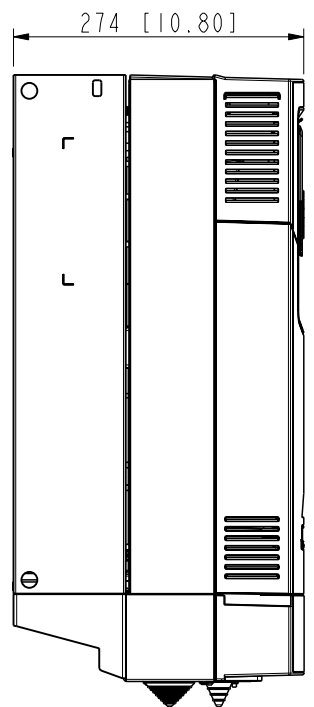
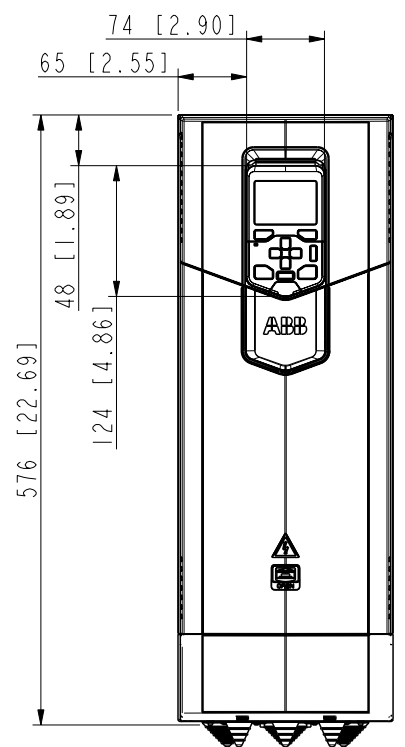
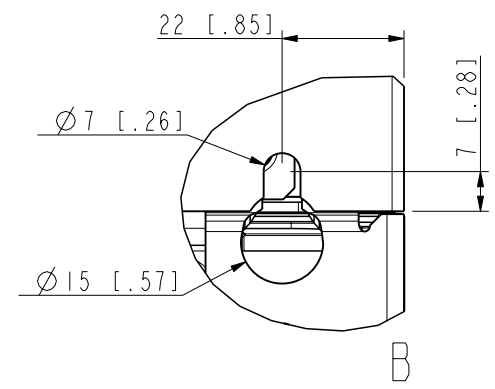
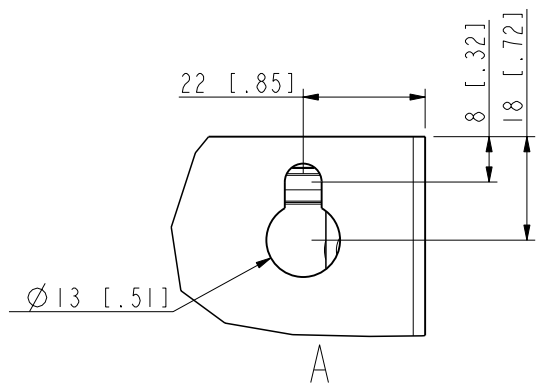
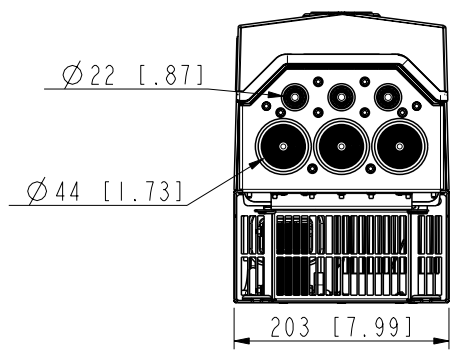


3AUA000098285
 SA_MAIN-ASSEMBLY (ASSEM)
 Information in data table been changed
 Updated dimensions and added IP55

C.4+
 -.48+
 10-Oct-11
 19-Jun-12
 S.Lilja
 M.Karis

First angle projection. Original drawing made with Pro/ENGINEER. Set the correct scale factor when adding dimensions after DWG/DXF conversion.



| | | | |
|----------------|--------------|-----------|-----------|
| Based on | Prepared | M.Karis | 19-Jun-12 |
| Customer | Check. | W.Diaz | 19-Jun-12 |
| | Appr. | J.Holappa | 19-Jun-12 |
| Cust. Doc. No. | Project name | Syrah | |
| ABB Ref. No. | Weight | kg | |

Title DIMENS. DRAWING
 R4 IP21/IP55 DIMENSIONAL DRAWING
 ACS880 R4
ABB DRIVES

| | | | |
|------------------|----------------|---------|----------|
| Doc. des. | Scale | Form | Lang. EN |
| ASSEMBLY DRAWING | 7:50 | A4 | |
| Resp.dept. | Rev.ind. | Sheet 1 | |
| EJO | C (AP) | Total 2 | |
| Doc. No. | 3AUA0000098285 | | |