

Air Horns

Models 3H and 6H



DESIGNED FOR USE IN HAZARDOUS LOCATIONS

- Available in 120VAC
- Wide variety of tones and sizes
- For indoor/outdoor use
- Type 4X enclosure

Federal Signal offers a line of air horns in a variety of tones and sizes for the industrial marketplace. High, medium and low tones are available which provides a wide range of frequencies and high sound output.

Federal Signal air horns feature a one-piece, cast aluminum alloy housing which has been treated to provide corrosion-resistance. The horns include specialized long-lasting stainless steel diaphragms. These precisely machined horns will yield peak performance at proper working air pressures and are virtually indestructible. The 3-inch horn (Model 3H) has a threaded female pipe connection. The Model 6H features flanges for additional support.

Federal Signal air horns operate with 20 to 150 p.s.i., (pounds per square inch) but they are tuned for 80 to 90 p.s.i. operation. The horn frequency (pitch) depends on both the diameter and length of the projector. Decibel output at 10 feet is 122dBA (132dBA @ 1m).

The horns require a 120VAC Federal Signal air valve (air valve sold separately). Use Model EVS with the 3H and Model EVL with the 6H.

Air horns can be used indoors, outdoors, or anywhere compressed air can be provided.

Federal Signal Air Horns are the loudest audible signals offered for indoor applications.

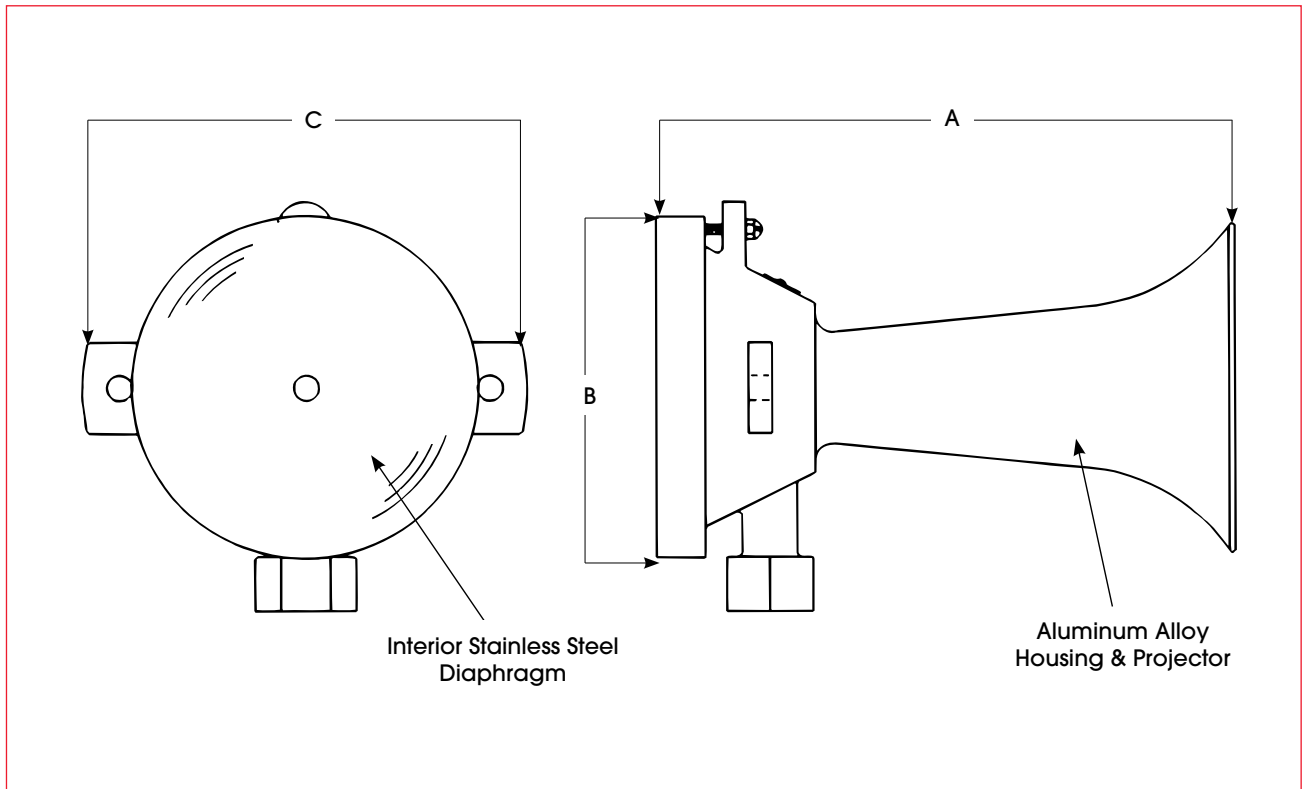
They are not subject to sparking and are ideal for hazardous locations (the valves need to be located in a non-hazardous location).

Model	Air Consumption Cubic Ft./Sec.	Valve Model*	Frequency	Decibels @	
				10'	1m
3H	0.20	EVS-120	750Hz	112	122
6H	0.45	EVL-120	295Hz	122	132

* 120VAC valves sold separately



AIR HORNS (3H/6H)



SPECIFICATIONS

<i>Model</i>	<i>Net Weight</i>	<i>Shipping Weight</i>	<i>Dimensions (in./mm)</i>			<i>Diaphragm Dia. (in./mm)</i>	<i>Pipe Size</i>
			<i>A</i>	<i>B</i>	<i>C</i>		
3H	1.6 lbs. 0.73 kg	2.1 lbs. 0.95 kg	4.88" 124.0 mm	4.75" 121 mm	3.63" 92.0 mm	3.0" 76.0 mm	0.38" 9.5 mm
6H	9.7 lbs. 4.4kg	11.4 lbs. 5.17 kg	12.38" 314.0 mm	9.5" 241.0 mm	6.5" 165.0 mm	5.0" 152.0 mm	0.75" 19.0 mm

HOW TO ORDER

- Specify air horn model
- Specify valve model (sold separately)