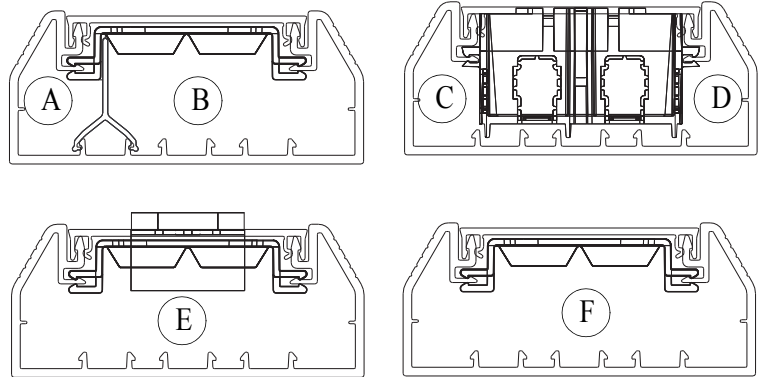


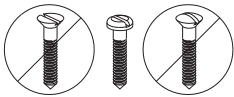
Raceway Type	See Fig.	** Electrical Cables		
		14 AWG	12 AWG	10 AWG
		0.105	0.122	0.153
T70 with Divider Wall and Wire Retainer	A	14	11	7
	B	*	*	*
T70 with Hanging Box	C	14	11	7
	D	*	*	*
T70 with Device Bracket and Device	E	24	20	15
T70 with Wire Retainers	F	24	20	15

\*\* WIRES NOT BUNDLED

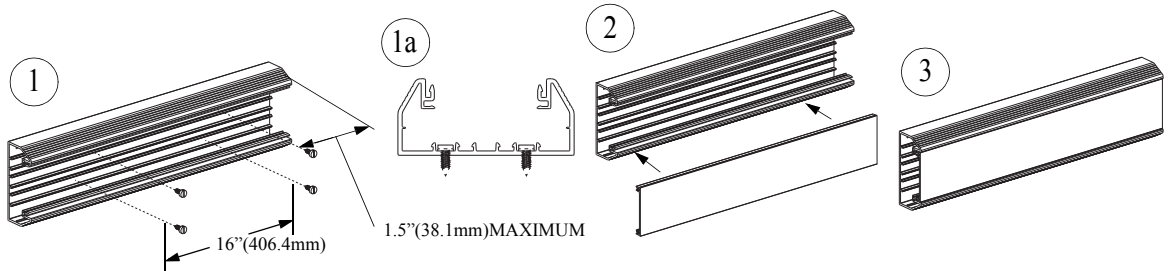


\* COMMUNICATION CONDUCTORS ONLY.

### BASE & COVER

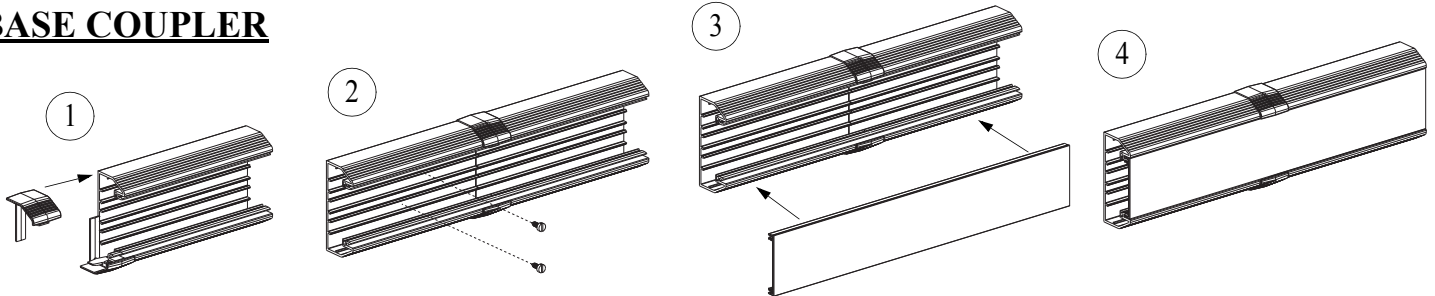


The mounting hardware used to secure the raceway shall be appropriate for the mounting surface.

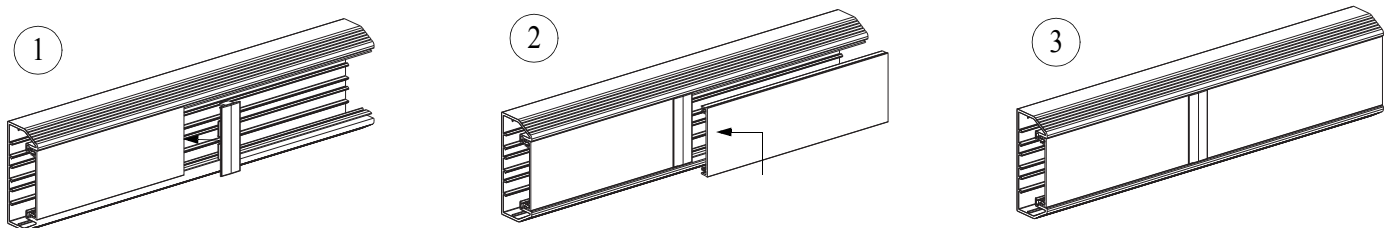


### FITTINGS

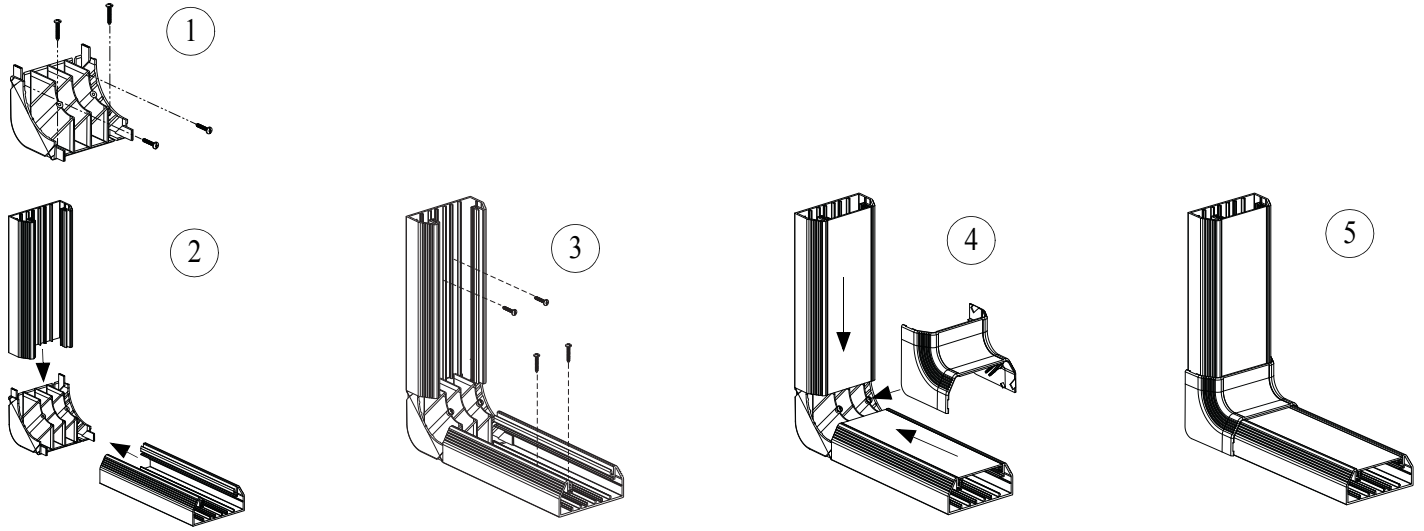
#### BASE COUPLER



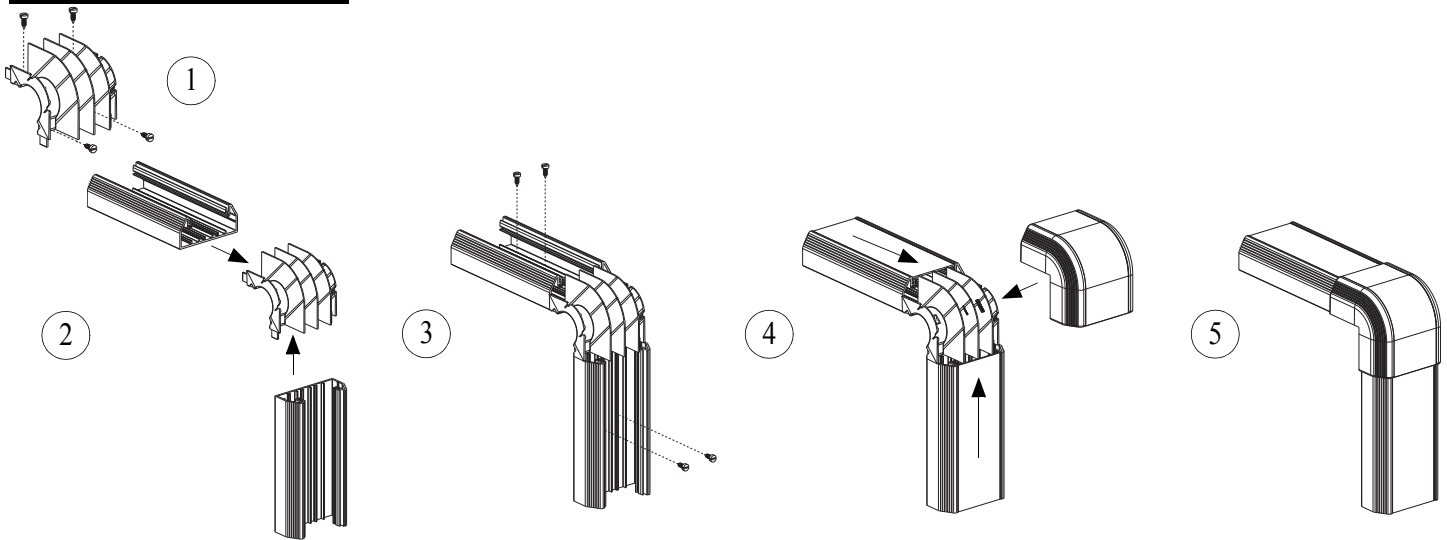
#### COVER COUPLER



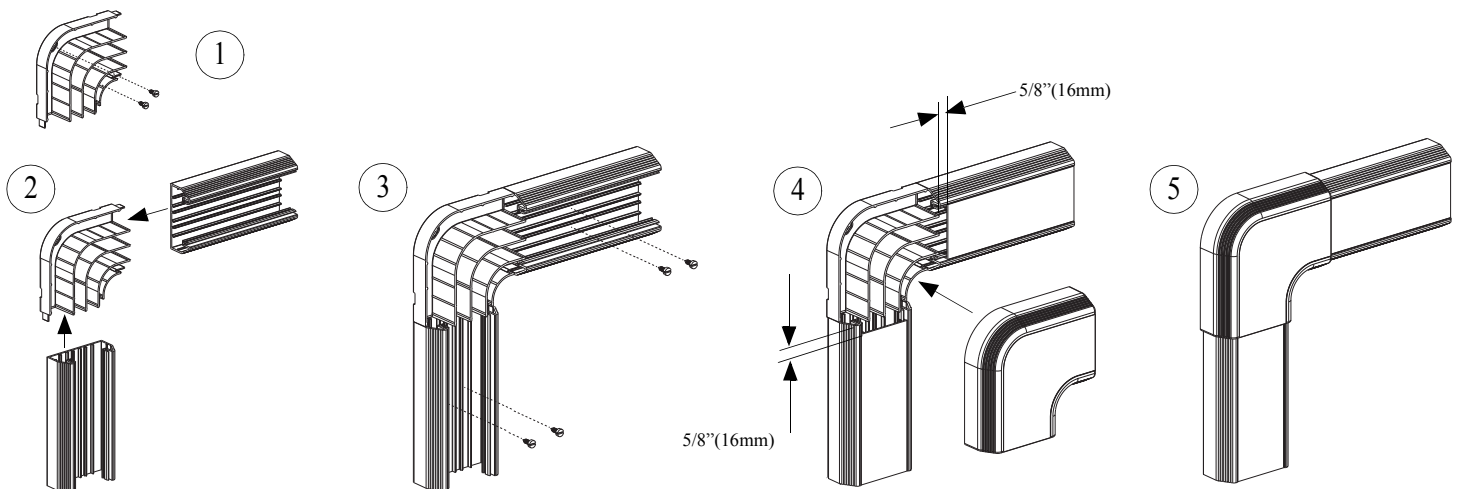
**INSIDE CORNER**



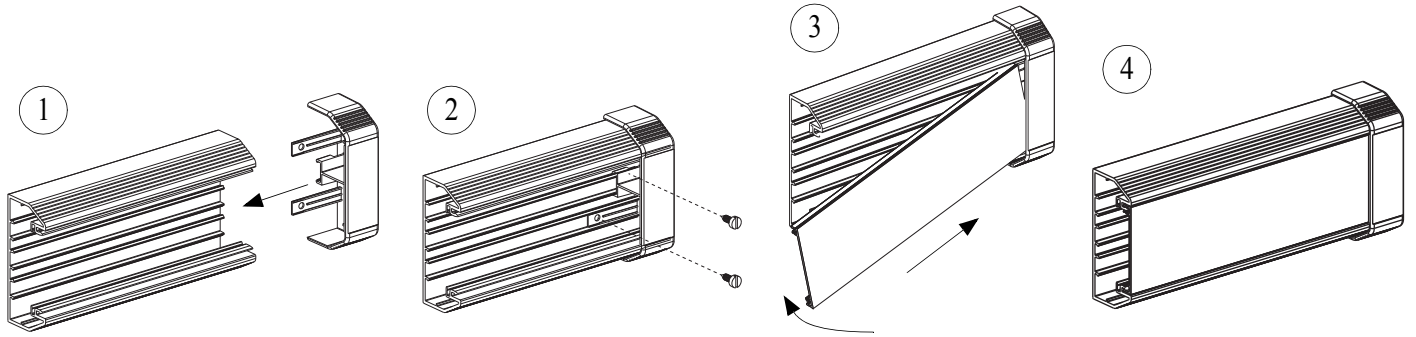
**OUTSIDE CORNER**



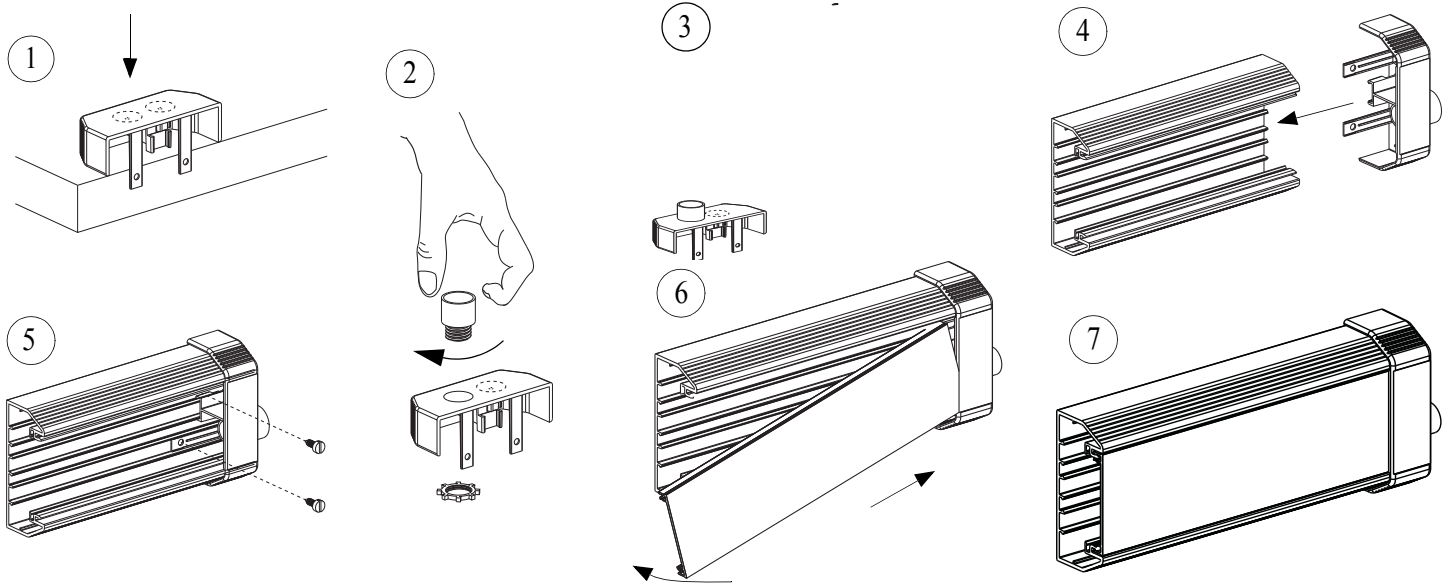
**RIGHT ANGLE**



**END CAP**



**END CAP WITH CONDUIT CONNECTOR**

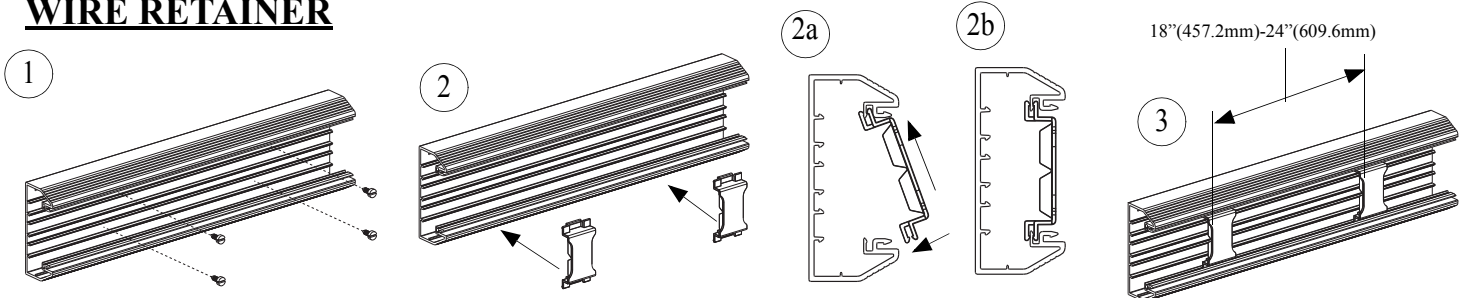


**ACCESSORIES**

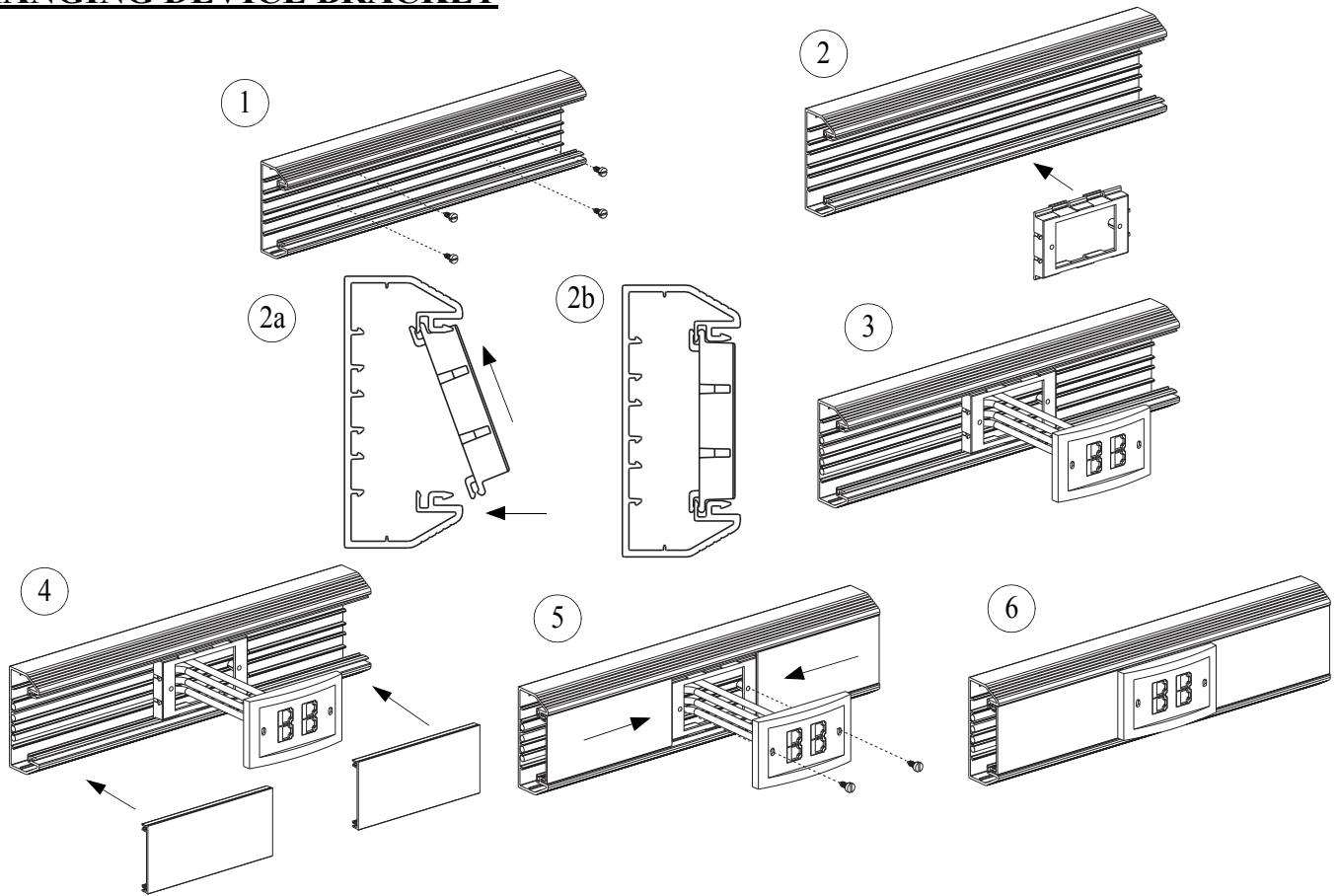
**DIVIDER WALL**



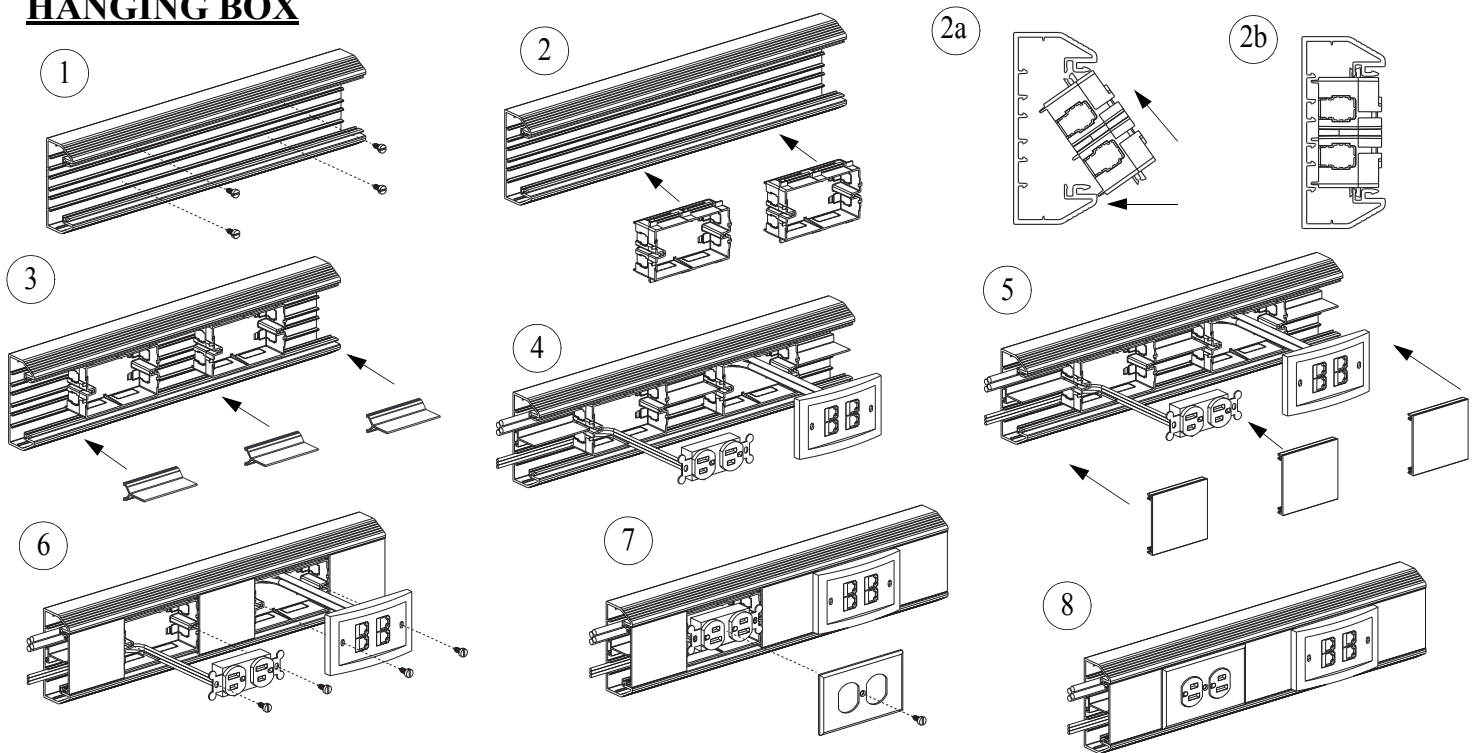
**WIRE RETAINER**



### HANGING DEVICE BRACKET



### HANGING BOX



For Instructions in Local Languages  
and Technical Support:  
[www.panduit.com/resources/install\\_maintain.asp](http://www.panduit.com/resources/install_maintain.asp)

**PANDUIT**  
[www.panduit.com](http://www.panduit.com)

E-mail:  
[techsupport@panduit.com](mailto:techsupport@panduit.com)  
Fax:  
866-405-6654