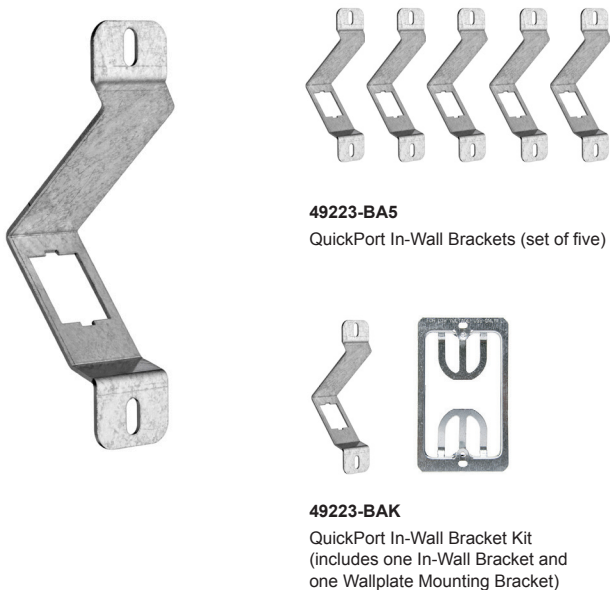


QuickPort® In-Wall Bracket

for use with NEMA-style electrical / low-voltage boxes and mud rings

APPLICATION

The QuickPort In-Wall Bracket provides the ability to create a testable permanent link for cabling that terminates in the wall without the use of a traditional wallplate. It is ideal for Ethernet-enabled devices that mount to electrical/low-voltage boxes or directly to the wall surface, such as WAPs, cameras, or clocks. The bracket provides a stable mounting surface for the connector that is recessed behind the wall. It allows for a cabling design that is ANSI/TIA-568-C compliant. Device connections from the recessed connector are easily made with Leviton High-Flex HD6 patch cords.



SPECIFICATION

Bracket shall provide the ability to create a testable permanent link for cabling that terminates in the wall without the use of a traditional wallplate. It shall provide a fixed location for the connector after termination, reducing the potential for damage prior to device installation. Bracket shall be compatible with standard NEMA electrical boxes and rings having a device mounting hole spacing of 3-9/32 inches. Ethernet-enabled devices shall be able to mount to the NEMA opening even with the adapter in place.

FEATURES

- Allows for ANSI/TIA-568-C compliant cabling design
- Provides the ability to create a testable permanent link for cabling that terminates in the wall without the use of a traditional wallplate
- Creates a fixed location for the connector after termination, reducing the potential for damage prior to device installation
- Provides ability to test and warrant the cabling using the same equipment and process as any other work area outlet connector
- Available as a set of 5 brackets, or individually kitted with a single-gang low-voltage Leviton Wallplate Mounting Bracket

DESIGN CONSIDERATIONS

- Bracket is designed to mount in standard NEMA electrical device opening with 3-9/32 inch [83.34 mm] hole spacing
- #8/32 mounting screws included with each bracket
- To ensure proper cable bend radius, a 4"x4" box with reducer ring is recommended; consider using a 5"x5" box for Cat 6A cabling
- Leviton High-Flex HD6 patch cords (6H460-xxx) have a 0.15" OD, resulting in a smaller minimum bend radius, and are available in multiple lengths starting at 6 inches.

PHYSICAL SPECIFICATIONS

Dimensions: see page two

Materials: 16-gauge galvanized steel (In-Wall Bracket)
 22-gauge galvanized steel (Wallplate Mounting Bracket)

STANDARDS COMPLIANCE

ANSI/TIA-568-C compliant

COUNTRY OF ORIGIN

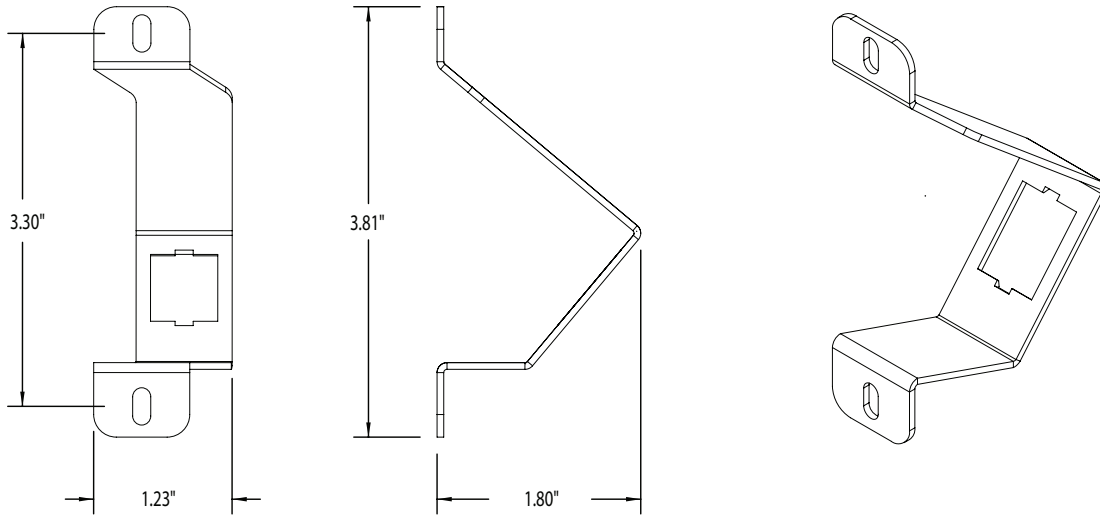
Mexico

WARRANTY INFORMATION

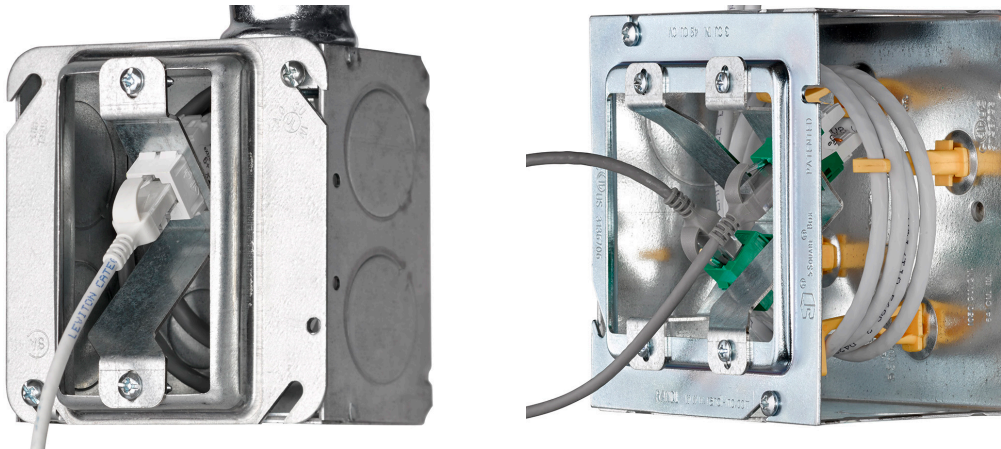
For a copy of Leviton product warranties, visit www.leviton.com/warranty

ELECTRONIC FILES

For CAD files, typical specs, or technical drawings (.DXF, .DWG), visit www.leviton.com.



49223-BA5, 49223-BAK



PART NUMBERS

Description	Part No.
QuickPort® In-Wall Brackets, set of 5	49223-BA5
QuickPort In-Wall Bracket Kit, includes In-Wall Bracket and single-gang Wallplate Mounting Bracket	49223-BAK



Leviton Network Solutions
 2222 - 222nd St. SE
 Bothell, WA 98021-4416

Asia / Pacific
 T +1.631.812.6228
 E infoasean@leviton.com

Canada
 T +1.514.954.1840
 E pcservice@leviton.com

Caribbean
 T +1.954.593.1896
 E infocaribbean@leviton.com

China
 T +852.2774.9876
 E infochina@leviton.com

Colombia
 T +57.1.743.6045
 E infocolombia@leviton.com

tel 1-800-824-3005
 tel +1-425-486-2222
appeng@leviton.com
www.leviton.com

Europe
 T +33.6.8869.1380
 E infoeurope@leviton.com

India / SAARC
 T +971.4.886.4722
 E infoindia@leviton.com

Mexico
 T +52.55.5082.1040
 E lsamarketing@leviton.com

Middle East & Africa
 T +971.4.886.4722
 E lmeinfo@leviton.com

South Korea
 T +82.2.3273.9963
 E infokorea@leviton.com