
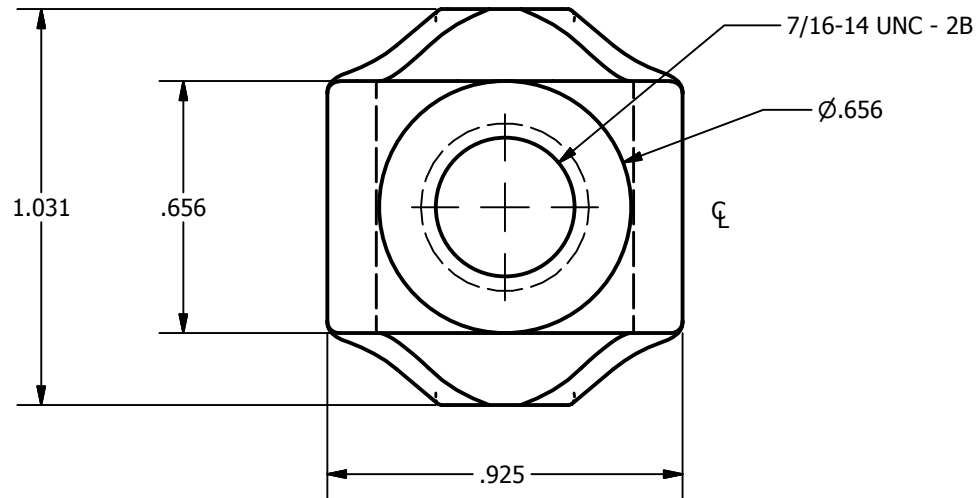


SCREW: E1274	MATERIAL: COPPER	REV: C	 800-776-9775 www.ilsco.com
CAT. NO.: BGRC-58	PLATING: NONE	DRAWN BY: CLH SCALE:2:1	
INFORMATION SHEET: FORM 1	MARKING: SEE DRAWING	DATE:9/16/2011 SIZE: A	
			DWG. NO. R1435
			SHEET: 1 OF 1



SCALE 1 : 1

