

Brackets

Figure B3066 - Welded Bracket - Medium Duty

Max. Recommended Load: 1500 lbs. (6.67kN)

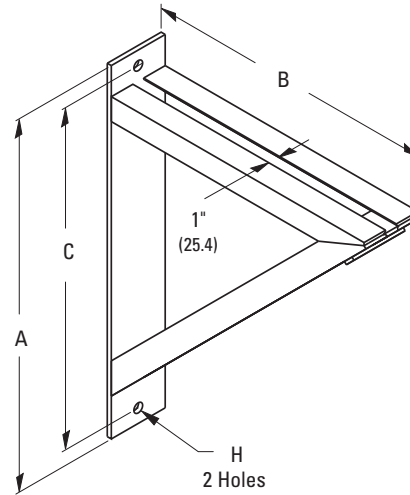
Material: Steel

Function: Recommended for supporting pipe on top or hanging through support bracket outward from mounting surface.

Approvals: Conforms to Federal Specification WW-H-171E & A-A-1192A, Type 33 and Manufacturers Standardization Society ANSI/MSS SP-69 & SP-58, Type 32.

Finish: Plain or Electro-Galvanized. Contact customer service for alternative finishes and materials.

Order By: Part number and finish



Part No.	Mtg. Hole H		A		B		C	
	in.	(mm)	in.	(mm)	in.	(mm)	in.	(mm)
B3066-0	13/16"	(20.6)	18"	(457.2)	12"	(304.8)	15 1/2"	(393.7)
B3066-1	13/16"	(20.6)	24"	(609.6)	18"	(457.2)	21 1/2"	(546.1)
B3066-2	13/16"	(20.6)	30"	(762.0)	24"	(609.6)	27 1/2"	(698.5)

Part No.	Design Load		Approx. Wt./100	
	Lbs.	(kN)	Lbs.	(kg)
B3066-0	1500	(6.67)	1577	(715.3)
B3066-1	1500	(6.67)	2578	(1169.4)
B3066-2	1500	(6.67)	4446	(2016.7)

All dimensions in charts and on drawings are in inches. Dimensions shown in parentheses are in millimeters unless otherwise specified.