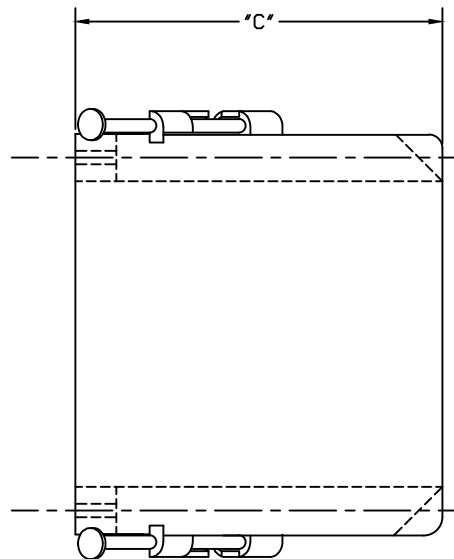
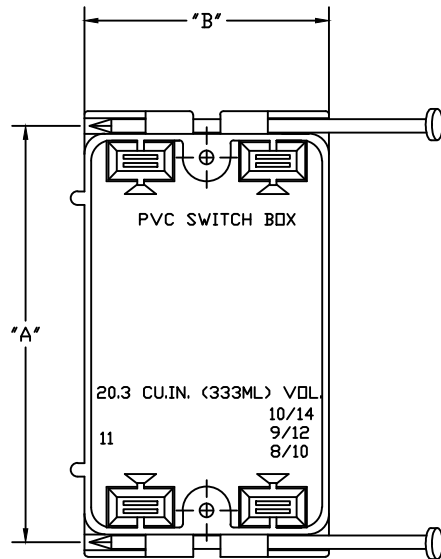
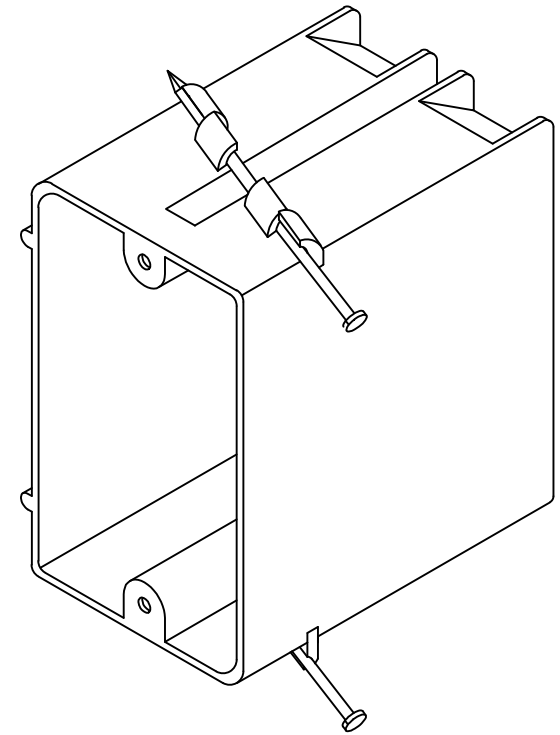


PART NUMBER	SIZE	"A"	"B"	"C"
EZ20SNA	2 1/4" X 3 5/8" X 3 1/4" four knockouts Enhanced angled nails for quick mounting between studs	3 7/8"	2 1/4"	3 1/8"



UL Listed
 UL File # R18795 & E98429
 UL Category Code QCMZ, QBWY & CEYY
 UL 2 Hour Wall & Ceiling Fire Rated
 Suitable for Masonry Walls
 Material is Rigid PVC - Red



CANTEX
 INC.
 Fort Worth, TEXAS

Red Single Gang EZ Box 20.3 Cubic In. Nail On
 Single Gang Nonmetallic Nail On Boxes

Drawn By: O.M.

Date: 5/22/17

Ref. EZ20SNA