

## D2 Series Relay



## D2PR/D2PF Series

## Product Description

The D2 Series is a compact line of relays with quick response time and long life. Available in DPDT, 4PDT and DPDT latching configurations.

## Features

**D2PR**


- Ultra-high sensitivity relay with quick response
- High reliability, long life
- Panel, DIN rail and flange mounting
- Small size

## Contents

<b>Description</b>	<b>Page</b>
D1PR/D1PF Series . . . . .	V7-T3-46
D2PR/D2PF Series	
Catalog Number Selection . . . . .	V7-T3-52
Product Selection . . . . .	V7-T3-52
Accessories . . . . .	V7-T3-54
Technical Data and Specifications . . . . .	V7-T3-55
Wiring Diagrams . . . . .	V7-T3-56
Dimensions . . . . .	V7-T3-57
D3PR/D3PF Series . . . . .	V7-T3-61
D4 Series . . . . .	V7-T3-71
D5PR/D5PF Series . . . . .	V7-T3-75
D7PR/D7PF Series . . . . .	V7-T3-85
D8 Series . . . . .	V7-T3-100
D9 Series . . . . .	V7-T3-106
Accessories . . . . .	V7-T3-110

## Standards and Certifications



 When used with accompanying Eaton screw terminal socket.

**D2PF**

- Flag indicator shows relay status in manual or powered condition
- Bipolar LED status lamp allows for reverse polarity applications
  - Shows coil ON or OFF status
  - Ideal in low light conditions
- Color-coded pushbutton identifies AC coils with red or DC coils with blue pushbuttons
  - Allows for manual operation of relay without the need for coil power
  - Ideal for field service personnel to test control circuits
- Lock-down door, when activated, holds pushbutton and contacts in the operate position
  - Excellent for analyzing circuit problems
- Finger-grip cover allows operator to remove relays from sockets more easily than conventional relays
- White plastic ID tag/write label used for identification of relays in multi-relay circuits

# 3.4

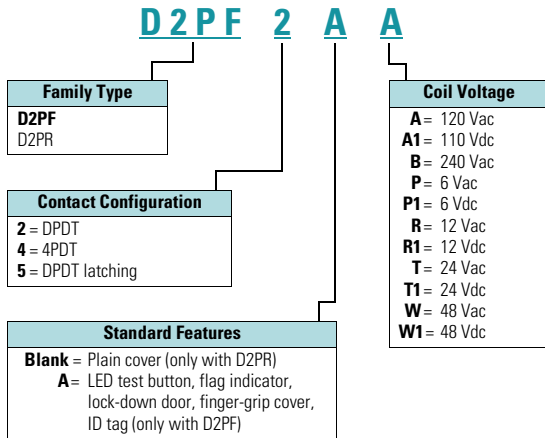
## Control Relays and Timers

### General Purpose Plug-In Relays

#### Catalog Number Selection

##### D2PF/D2PR ①

3



#### Product Selection

##### D2PF/D2PR Relay/Socket Quick Reference

Relay Type	Socket	Clip	Module Type	ID Tag	Jumper
D2PR2, D2PF2	D2PAL	PWC-D24	B	PWF-D2P	D2PJ1
		PQC-1782	—	—	—
	D2PA6	PQC-1342	None	—	—
D2PR4, D2PF4	D2PAP	PWC-D24	B	PWF-D2P	D2PJ1
		PQC-1782	—	—	—
	D2PA7	PWC-D24	B	—	—
		PQC-1782	B	—	—
D2PA6	PQC-1342	None	—	—	
D2PR5	D2PA4	PYC-A1	None	—	—

##### Note

① For deciphering catalog numbers. Do not use for ordering as not all combinations are readily available.

# 3.4

## Control Relays and Timers

### General Purpose Plug-In Relays

#### Accessories

##### D2PF/D2PR Sockets and Accessories

3

Type	Module Size	Nominal Voltage (Max. for Sockets)	Nominal Current	Mounting Style	Wire Size	Wire Connection	Standard Pack	Catalog Number
Socket	B	300	12	DIN rail/panel	14/16 (2) AWG, 2.5/1.5 (2) mm <sup>2</sup>	Elevator	1	<b>D2PAL</b> ①
	None	300	10	DIN rail/panel	12/14 (2) AWG, 4/2.5 (2) mm <sup>2</sup>	Screw clamping	10	<b>D2PA6</b>
	B	300	10	DIN rail/panel	14/16 (2) AWG, 2.5/1.5 (2) mm <sup>2</sup>	Elevator	1	<b>D2PAP</b> ①
	B	300	10	DIN rail/panel	12/14 (2) AWG, 4/2.5 (2) mm <sup>2</sup>	Screw clamping	10	<b>D2PA7</b> ①
	None	300	10	DIN rail/panel	12/14 (2) AWG, 4/2.5 (2) mm <sup>2</sup>	Screw clamping	5	<b>D2PA4</b>
Flange mount adapter	—	—	—	Flange	—	—	25	<b>PFC-D2D72</b>
Plastic ejector clip	—	—	—	—	—	—	10	<b>PWC-D24</b>
Metal spring clip	—	—	—	—	—	—	25	<b>PQC-1782</b>
	—	—	—	—	—	—	25	<b>PQC-1342</b>
Hold-down spring	—	—	—	—	—	—	100	<b>PYC-A1</b>
Protection diode	B	6 to 250 Vdc	—	—	—	—	20	<b>MOD-BD250</b>
LED indicator	B	24 Vac/Vdc	—	—	—	—	20	<b>MOD-BLG24</b>
	B	120/240 Vac/Vdc	—	—	—	—	20	<b>MOD-BLG240</b>
MOV suppressor	B	120 Vac/Vdc	—	—	—	—	20	<b>MOD-BMV120</b>
	B	24 Vac/Vdc	—	—	—	—	20	<b>MOD-BMV24</b>
	B	240 Vac/Vdc	—	—	—	—	20	<b>MOD-BMV240</b>
Coil bus jumpers	—	—	—	—	—	—	10	<b>D2PJ1</b>
Plastic DIN rail end stop	—	—	—	—	—	—	25	<b>PPF-P</b>

**Note**

① Protection category (finger safe), EN 60529: IP20.