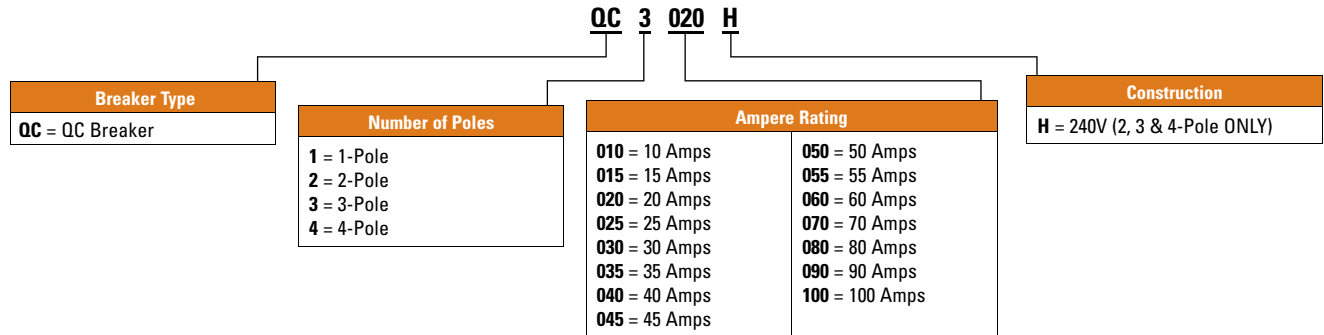


Circuit & Motor Protection

Circuit Breakers

CATALOG SELECTION / PRODUCT SELECTION

Type QC Miniature Circuit Breakers — Cable-In / Cable-Out Type QC — Catalog Numbering System



Type QC Miniature Circuit Breakers — Cable-In / Cable-Out Type QC

For Cable-In / Cable-Out Panel Mount Applications

- 1 – 4-pole options
- Built and listed to UL 489
- All products UL and CSA listed
- All products 10 – 100A are HACR rated



QUICKLAG Type QC 10,000 Ampere I.C. Thermal-Magnetic Breakers

Continuous Ampere Rating at 40°C	1-Pole	2-Pole	3-Pole
	120/240V ac	120/240V ac	240V ac
	Catalog Number	Catalog Number	Catalog Number
10	QC1010	QC2010	—
15	QC1015 ① ②	QC2015	QC3015H
20	QC1020 ① ②	QC2020	QC3020H
30	QC1030	QC2030	QC3030H
40	QC1040	QC2040	QC3040H
50	QC1050	QC2050	QC3050H
60	—	QC2060	QC3060H
70	—	QC2070	QC3070H
100	QC1100	QC2100	QC3100H

① Switching duty rated for 120V ac fluorescent light applications only.

② For special low-magnetic breaker, order QC1015L1 or QC1020L1.

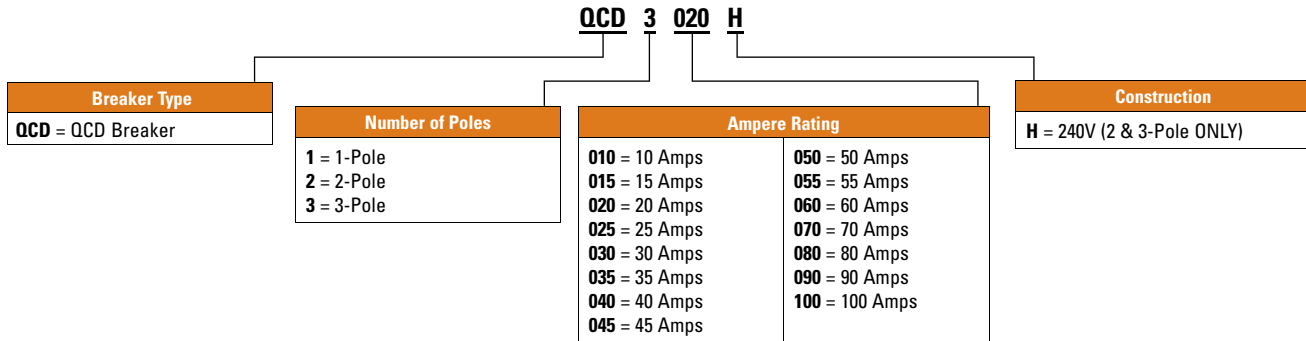
Note: For non-automatic switches, see Distribution Products Catalog, CA08101001E, Tab 11.

Circuit & Motor Protection

Circuit Breakers

CATALOG SELECTION / PRODUCT SELECTION

Type QC Miniature Circuit Breakers — Cable-In / Cable-Out Type QCD — Catalog Numbering System



Type QC Miniature Circuit Breakers — Cable-In / Cable-Out Type QCD

For Cable-In / Cable-Out DIN-Rail Mount HVAC Applications

- 1 – 3-pole options
- Modular construction
- DIN mounted (symmetrical rail 35 x 7.5 DIN / EN 50 022)
- Flexible power feed connection: wire size, position
- Same breaker size for entire rating range
- Field-mountable accessories: finger-shroud proof, quick connect terminals, jumper units



QUICKLAG Type QCD 10,000 Ampere I.C. Thermal-Magnetic Breakers

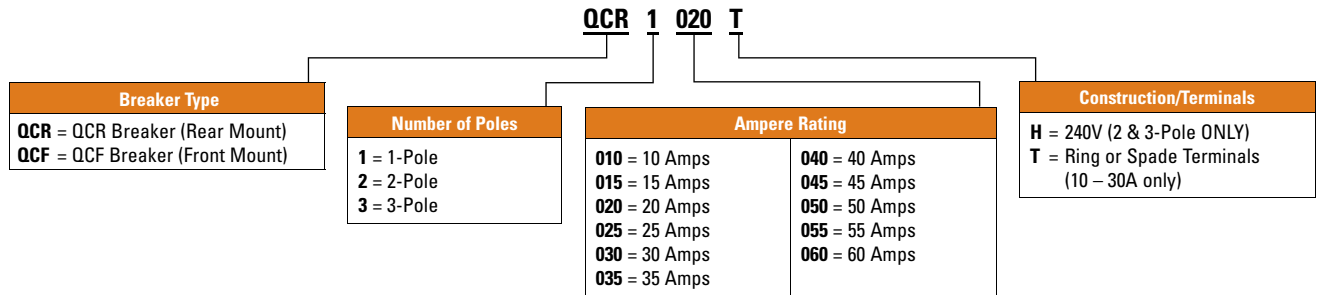
Continuous Ampere Rating at 40°C	1-Pole	2-Pole	3-Pole
	120/240V ac	120/240V ac	240V ac
	Catalog Number	Catalog Number	Catalog Number
10	QCD1010	QCD2010	—
15	QCD1015	QCD2015	QCD3015H
20	QCD1020	QCD2020	QCD3020H
30	QCD1030	QCD2030	QCD3030H
40	QCD1040	QCD2040	QCD3040H
50	QCD1050	QCD2050	QCD3050H
60	QCD1060	QCD2060	QCD3060H
70	—	QCD2070	QCD3070H
100	—	QCD2100	QCD3100H

Circuit & Motor Protection

Circuit Breakers

CATALOG SELECTION / PRODUCT SELECTION

Type QC Miniature Circuit Breakers — Cable-In / Cable-Out 1/2-Inch Wide Types QCR, QCF — Catalog Numbering System



Type QC Miniature Circuit Breakers — Cable-In / Cable-Out 1/2-Inch Wide Types QCR, QCF

When Space is at a Premium

- QCR: For DIN-Rail mount cable-in / cable-out applications
- QCF: For front-mount through-the-door cable-in / cable-out applications
- 1/2-inch (12.7 mm) wide per pole
- Three-position handle: ON, Tripped (center), OFF
- Thermal-magnetic protection
- 1, 2 and 3-pole
- 10 kAIC at 120/240V ac, 10 – 60A
- 10 kAIC at 240V ac, 10 – 30A



QUICKLAG Type QCR Breaker 10 kAIC Interrupting Ratings ①②③④

Continuous Ampere Rating at 40°C	1-Pole	2-Pole	3-Pole
	120/240V ac	120/240V ac	240V ac
	Catalog Number	Catalog Number	Catalog Number
10	QCR1010 QCR1010T	QCR2010 QCR2010T	— —
15	QCR1015 ⑤ QCR1015T ⑤	QCR2015 QCR2015T	QCR3015H QCR3015HT
20	QCR1020 ⑤ QCR1020T ⑤	QCR2020 QCR2020T	QCR3020H QCR3020HT
25	QCR1025 —	QCR2025 —	QCR3025H QCR3025HT
30	QCR1030 —	QCR2030 —	QCR3030H QCR3030HT
35	QCR1035	QCR2035	—
40	QCR1040	QCR2040	—
45	QCR1045	QCR2045	—
50	QCR1050	QCR2050	—
55	QCR1055	—	—
60 ⑥	QCR1060	QCR2060	—

① Standard breaker terminals are box type lugs.

② Breakers with "T" catalog number suffix are suitable for line and load side ring terminal connection (#10 – 32 plus/minus terminal screw provided).

③ Breakers with "P" catalog number suffix are suitable for terminating two 10 AWG Quick-Connect Type Terminals per phase on breaker load side.

④ Breakers with shunt trip (extra pole required on breaker right-hand side) are available on 1, 2 and 3-pole.

⑤ All 15 and 20 ampere single-pole breakers are SWD (switching duty) rated for fluorescent lighting applications.

⑥ 60/75°C Cu/Al wire on all ratings except 60 amperes, which requires Cu only conductor.

Type QC Miniature Circuit Breakers — Cable-In / Cable-Out 1/2-Inch Wide, Types QCR, QCF

QUICKLAG Type QCF Breaker 10 kAIC

Interrupting Ratings ①②③

Continuous Ampere Rating at 40°C	1-Pole	2-Pole	3-Pole
	120/240V ac	120/240V ac	240V ac
	Catalog Number	Catalog Number	Catalog Number
10	QCF1010 QCF1010T	QCF2010 QCF2010T	— —
15	QCF1015 ④ —	QCF2015 —	QCF3015H QCF3015HT
20	QCF1020 ④ —	QCF2020 —	QCF3020H QCF3020HT
25	QCF1025 —	QCF2025 —	QCF3025H QCF3025HT
30	QCF1030 —	QCF2030 —	QCF3030H QCF3030HT
40	QCF1040	QCF2040	—
50	QCF1050	QCF2050	—
60 ⑤	QCF1060	QCF2060	—

① Standard breaker terminals are box type lugs.



② Breakers with "T" catalog number suffix are suitable for line and load side ring terminal connection (#10 – 32 plus/minus terminal screw provided).

③ Breakers with shunt trip attachment (extra pole required on breaker right-hand side) are available.

④ All 15 and 20 ampere single-pole breakers are SWD (switching duty) rated for fluorescent lighting applications.

⑤ 60/75°C Cu/Al wire on all ratings except 60 amperes, which requires Cu only conductor.

Accessories

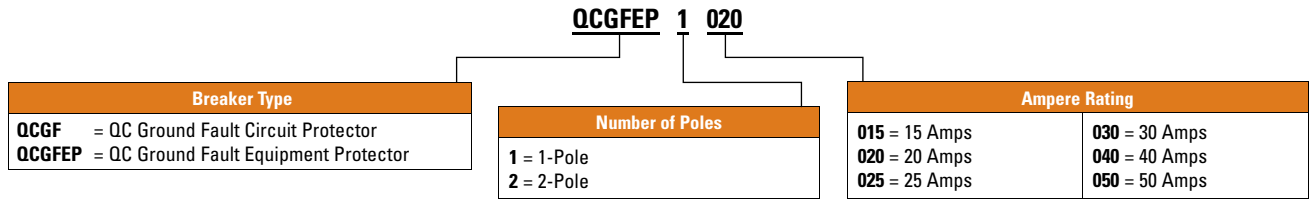
	Description	Catalog Number
	Steel mounting clip mounts QCR breaker if individual mounting is required. Quantity two required for 1- and 2-pole and four required for 3-pole breakers.	QCRMGTFT
	Removable padlock device for single-pole QCR or QCF breaker.	QCRFPL1P
	Removable padlock device for multi-pole QCR or QCF breaker.	QCRFPLMP
	Padlock bracket assembly for QCR or QCF single- or multi-pole breakers (OFF only).	QCRFLOFF
	Padlock bracket for QCR, lock-off only.	QCRPLOFF
	QUICKLAG Type C Spacer	QCRSPACER
	QCR and QCF Ring or Spade Lug Terminals (10 – 30A ratings only) Factory installed line and load side terminals each equipped with a #10-32 screw suitable for terminating one 10 AWG wire with insulated ring or spade type terminal as shown.	Suffix "T"

Circuit & Motor Protection

Circuit Breakers

CATALOG SELECTION / PRODUCT SELECTION

Type QC Miniature Circuit Breakers — Cable-In / Cable-Out Ground Fault and Equipment Protector Types QCGF, QCGFEP — Catalog Numbering System



Type QC Miniature Circuit Breakers — Cable-In / Cable-Out 1/2-Inch Wide Types QCGF, QCGFEP

For Cable-In / Cable-Out Panel-Mount Applications

- QUICKLAG ground fault circuit breakers, Class A GFCI:
 - Built and tested to UL 943
 - 5 mA trip sensitivity
- QUICKLAG ground fault equipment protectors:
 - Built and tested to UL 1053
 - 30 mA trip sensitivity
- All products UL and CSA listed



Types QCGF and QCGFEP Thermal-Magnetic Breakers

Continuous Ampere Rating at 40°C	1-Pole	2-Pole
	120/240V ac	120/240V ac
	Catalog Number	Catalog Number

Ground Fault Circuit Breakers — 5 mA Sensitivity QUICKLAG Type: QCGF 10,000 Ampere I.C.





15	QCGF1015	QCGF2015
20	QCGF1020	QCGF2020
30	QCGF1030	QCGF2030
40	QCGF1040	QCGF2040
50	—	QCGF2050

Ground Fault Equipment Protectors — 30 mA Sensitivity QUICKLAG Type: QCGFEP 10,000 Ampere I.C.

15	QCGFEP1015	QCGFEP2015
20	QCGFEP1020	QCGFEP2020
30	QCGFEP1030	QCGFEP2030
40	QCGFEP1040	QCGFEP2040
50	—	QCGFEP2050

Type QC Miniature Circuit Breakers

Accessories

	Accessory ①	Description	Catalog Number
 <p>QL1NPL QL23NPL</p>	Handle Locks: Non-Padlockable ②	QUICKLAG Type P, B, C — 1-Pole QUICKLAG Type P, B, C — 2, 3-Pole	QL1NPL QL23NPL
 <p>QL1PL QC123PL</p>	Handle Locks: Padlockable	QUICKLAG Type P, B, C — 1-Pole QUICKLAG Type C — 1, 2, 3-Pole QUICKLAG Type C — 1, 2, 3-Pole (off only)	QL1PL QC123PL QCD123PLOFF
 <p>QL1HT</p>	Handle Tie	QUICKLAG Handle Tie — 1-Pole QUICKLAG Handle Tie — 3-Pole	QL1HT QL3HT
 <p>QCFCLIP QC1FP</p> <p>QC2FP QC3FP</p> <p>QCBCLIP</p>	Mounting Hardware	QUICKLAG Type C Face Mounting Clip QUICKLAG Type C Face Mounting Plate — 1-Pole QUICKLAG Type C Face Mounting Plate — 2-Pole QUICKLAG Type C Face Mounting Plate — 3-Pole QUICKLAG Type C Face Mounting Plate and Lock-off (off only) — 2-Pole ③ QUICKLAG Type C Face Mounting Plate and Lock-off (off only) — 3-Pole QUICKLAG Type C Base Mounting Clamp	QCFCLIP QC1FP QC2FP QC3FP QC2FPLOFF QC3FPLOFF QCBCLIP

① See Page 21 for QCR and QCF accessories.

② Can lock in ON or OFF position.

③ Suitable for ground fault breakers.





Circuit & Motor Protection

Circuit Breakers

PRODUCT SELECTION

Type QC Miniature Circuit Breakers

Accessories (Continued)

	Accessory ①	Description	Catalog Number
 <p>QC6BP</p>	Mounting Hardware	QUICKLAG Base Mounting Plate — 6 Poles Total	QC6BP
 <p>QCDJ4</p>		QUICKLAG Type C Base Mounting Plate — 6 Poles Total — Heavy-Duty Screw-Secured	QC6BPS
 <p>QCDINADAPT</p>		QUICKLAG Type C (QCD) 2-Way Jumper Unit with Cover	QCDJ2
 <p>QCDFP</p>		QUICKLAG Type C (QCD) 4-Way Jumper Unit with Cover	QCDJ4
		QUICKLAG Type C (QCD) 6-Way Jumper Unit with Cover	QCDJ6
		QUICKLAG Type C (QCD) 2-Way Jumper Unit, no Cover	QCDJ2T
		QUICKLAG Type C (QCD) 4-Way Jumper Unit, no Cover	QCDJ4T
		QUICKLAG Type C (QCD) 6-Way Jumper Unit, no Cover	QCDJ6T
		QUICKLAG Type C QCD Finger Protection Attachment	QCDFP
		QUICKLAG Type C DIN-Rail Adapter	QCDINADAPT

① See Page 21 for QCR and QCF accessories.