

Meets EUSERC Requirements Service Entrance Devices 100 – 225 Amperes



Meets EUSERC Requirements Service Entrance Devices 100 – 225 Amperes

Product Description

Eaton is proud to introduce a new line of Cutler-Hammer West Coast/EUSERC Meter Breaker units. The new EUSERC devices complement the existing standard meter breaker devices. Customers who are interested in the complete meter breaker line of products can refer to Technical Data TD.31F.01.T.E

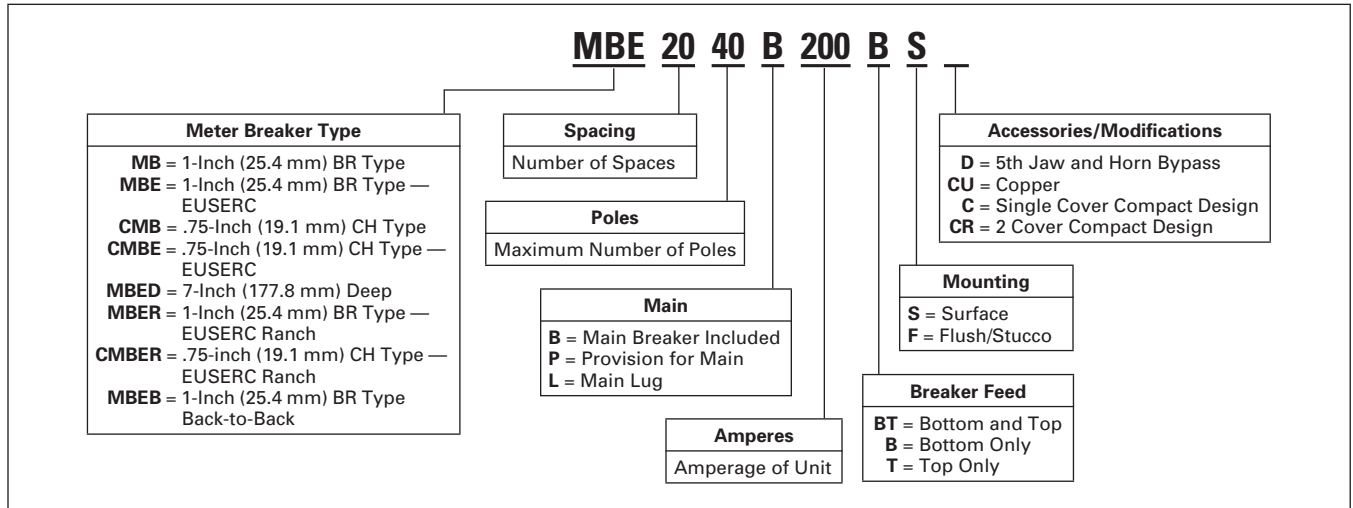
Features, Benefits and Functions

- Single-phase, 3-wire, 120/240 volt, 10,000 AIC.
- Larger 300 kcmil lugs and additional knockouts for ease of installation.
- Box type main lugs are included.
- Factory installed neutrals.
- Hub provisions on top endwall. If hubs are required, order "DS" type hubs.
- Ring type sockets are provided with a sealing ring.
- Padlockable device covers provide an additional measure of security, and help prevent tampering.
- Most units have center keyhole for easy one-person installation.
- Clip-Tight™ socket has reduced connections. This offers fewer hot spots and improves socket integrity.
- NEMA 3R rainproof construction.

5

Product Selection

Table 5-47. Catalog Numbering System (Applies to New Designs Only)



Residential

Product Selection

Table 5-48. Combination Service Entrance Devices — Non-EUSERC

Ampere Rating	Bypass	Service	kAIC	Jaws	Distribution	Main	Branch Breaker Type	Dimensions & Enclosure Shape ^①	Figure Numbers		Catalog Number	Price U.S. \$
									Wiring ^②	Knockout ^②		
Ring Style Meter Mains (no distribution section included)												
100	None	OH	③	4	None	Provision ^④	None	8	—	—	WMB102RN	
150	None	OH/UG	10	4	None	CSH2150	None	13	5-95	5-113	MBB150BTSCR ^⑨	
150	None	OH/UG	22	4	None	CSH2150	None	3	5-59	5-103	CMBB150BTS ^{⑨⑩}	
200	None	OH/UG	10	4	None	CSH2200	None	13	5-95	5-113	MBB200BTSCR ^⑨	
200	None	OH/UG	③	4	None	Provision ^{⑥⑦}	None	3	5-59	5-103	CMBP200BTS ^{⑨⑩}	
200	None	OH/UG	22	4	None	CSH2200	None	3	5-59	5-103	CMBB200BTS ^{⑨⑩}	
Ringless Meter Mains (no distribution section included)												
150	None	OH/UG	10	4	None	CSH2150	None	13	5-95	5-113	MBB150BTSC ^⑪	
200	None	OH/UG	10	4	None	CSH2200	None	9	5-96	5-112	MBB200BTS ^⑪	
200	None	OH/UG	10	4	None	CSH2200	None	13	5-95	5-113	MBB200BTSC ^⑪	
150	None	OH/UG	10	4	None	CSH2125	None	9	5-96	5-112	MBB150BTS	
200	None	OH/UG	③	4	None	Provision ^⑤	None	9	5-96	5-112	MBP200BTS ^⑫	
200	Horn	OH/UG	③	5	None	Provision ^{⑤⑥}	None	11	5-96	5-112	MBP200SD ^⑬	
200	Horn	OH/UG	③	5	None	Provision ^{⑤⑥}	None	9	5-96	5-112	MBP200BTSD	
100	Horn	OH/UG	10	5	None	Provision	None	15	—	5-114	CHMMB100BTS	
150	Horn	OH/UG	10	5	None	BWH2150	None	16	—	5-115	CHMMB150BTS	
200	Horn	OH/UG	10	5	None	BWH2200	None	16	—	5-115	CHMMB200BTS	

- ① See Page 5-65 for box details.
- ② See drawings for hub information knockout.
- ③ Per installed main breaker rating.
- ④ Provision for main is provided. WMB style devices accept Main Breaker style BR, 2-Pole.
- ⑤ When a provision for main is provided, order one of the main breakers listed in Table 5-49. Panels are dual labeled to accept Types BW or CSR Main Breakers.
- ⑥ MCBK225 lug kit is needed for load side cable connection for Meter Mains. Please order separately.
- ⑦ When a provision for main is provided, order one of the main breakers listed in this table. Panels are labeled to accept Type CSR Main Breakers.
- ⑧ Panels are specifically designed for the Georgia Power Service Territory, but may be used in any service territory that has the same design requirements.
- ⑨ Copper bus.
- ⑩ One-piece cover on utility side, Florida approved.
- ⑪ Single cover design.
- ⑫ Xcel approved.

Product Selection

Table 5-48. Combination Service Entrance Devices — Non-EUSERC (Continued)

Ampere Rating	Bypass	Service	kAIC	Jaws	Distribution	Main	Branch Breaker Type	Dimensions & Enclosure Shape ^①	Figure Numbers		Catalog Number	Price U.S. \$
									Wiring ^②	Knockout ^②		
Ring Style All-in-Ones (includes distribution section)												
125	None	OH/UG	③	4	④	None — Refer to Distribution CSH2150	BR	1	⑤	—	WMB1224SCN CMB24L125BTS ^{⑥⑦} CMB88B150BTS ^{⑥⑦}	
150	None	OH/UG	③	4	2/4		CH	2	5-61	5-103		
150	None	OH/UG	22	4	8		CH	3	5-60	5-103		
200	None	OH/UG	10	4	4/8	BWH2200	BR	3	5-73	5-103	MB48B200BTS ^{⑦⑧} CMB88B200BTS ^{⑥⑦⑧} CMB3242B200BS ^{⑥⑦}	
200	None	OH/UG	22	4	8	CSH2200	CH	3	5-60	5-103		
200	None	UG	22	4	32/42	CSH2200	CH	7	5-56	5-101		
200	None	OH/UG	22	—	42/42	—	CH	—	—	—	CMB4242B200BTS ^⑥	
Ringless All-in-Ones (includes distribution section)												
125	None	OH/UG	22	4	4/8	BWH2125	BR	21	—	5-111	MBT48B125BTS MBT48B150BTS MB816B150STD ^⑨	
150	None	OH/UG	22	4	4/8	BWH2150	BR	21	5-90	5-111		
150	Horn	OH/UG	10	5	8/16	BW2150	BR	11	—	—		
150	Horn	OH/UG	10	5	20/40	BW2150	BR	11	5-98	5-112	MB2040B150SD ^⑨ MB816B200BTS ^{⑦⑧} MB816B200BTS ^{⑥⑦⑧}	
200	None	OH/UG	10	4	8/16	BWH2200	BR	10	5-97	5-112		
200	None	OH/UG	10	4	8/16	BWH2200	BR	10	5-97	5-112		
200	Horn	OH/UG	10	5	8/16	BW2200	BR	11	—	—	MB816B200STD ^⑨ MB816P200BTS ^{⑦⑧} MB816P200BTSCU ^{⑥⑦⑧}	
200	None	OH/UG	③	4	8/16	Provision ^⑤	BR	10	5-97	5-112		
200	None	OH/UG	③	4	8/16	Provision ^⑤	BR	10	5-97	5-112		
200	Horn	OH/UG	③	5	8/16	Provision ^⑤	BR	11	5-97	5-112	MB816P200STD ^{⑧⑨} MB816P200BTSD ^⑧ CMB1212B200BTS ^{⑥⑦⑧}	
200	Horn	OH/UG	③	5	8/16	Provision ^⑤	BR	10	5-97	5-112		
200	None	OH/UG	10	4	12/12	CSH2200	CH	10	5-81	5-105		
200	None	OH/UG	③	4	6 – 2 Pole	Main Lugs	CH	9	5-84	5-105	CMB1212L200BTS ^{⑥⑧} CMB1212P200BTS ^{⑥⑦⑧} MB1212L200BTS ^⑧	
200	None	OH/UG	③	4	12/12	Provision ^⑤	CH	10	5-81	5-105		
200	None	OH/UG	③	4	6 – 2 Pole	Main Lugs	BR	9	5-82	5-105		
200	None	OH/UG	22	4	24/24	CSH2200	CH	10	5-83	5-113	CMB2424B200BTS ^{⑥⑦} CMB2436B200BTS ^⑥ MB2040B200BTS ^⑦	
200	None	OH/UG	22	4	24/36	CSH2200	CH	10	5-89	5-113		
200	None	OH/UG	10	4	20/40	BWH2200	BR	10	5-98	5-112		
200	None	OH/UG	③	4	20/40	Provision ^⑤	BR	10	5-98	5-112	MB2040P200BTS ^⑦ MB2040P200SD ^⑨ MB2040B200SD ^⑨	
200	Horn	OH/UG	③	5	20/40	Provision ^⑤	BR	11	5-98	5-112		
200	Horn	OH/UG	10	5	20/40	BWH2200	BR	10	5-98	5-112		
200	Lever	OH/UG	10	5	None	CSH2200	None	14	5-91	5-108	CMBXB200BTS ^⑧ CMBX1212B200BTS ^{⑥⑧} CMBX3242B200BTS ^⑥	
200	Lever	OH/UG	10	5	12/12	CSH2200	CH	14	5-93	5-108		
200	Lever	OH/UG	10	5	32/42	CSH2200	CH	14	5-92	5-108		
200	Lever	OH/UG	10	5	None	Provision	None	14	5-91	5-108	CMBXP200BTS ^⑥ CMBX1212P200BTS ^{⑥⑧} CMBX3242P200BTS ^⑥	
200	Lever	OH/UG	10	5	12/12	Provision	CH	14	5-93	5-108		
200	Lever	OH/UG	10	5	32/42	Provision	CH	14	5-92	5-108		
200	None	OH/UG	③	4	4/8	Provision	BR	21	5-90	5-111	MBT48P200BTS ^⑧ MBT48B200BTS ^⑧	
200	None	OH/UG	22	4	4/8	BWH2200	BR	21	5-90	5-111		

- ① See Page 5-65 for box details.
- ② See knockout drawings for hub information.
- ③ Per installed main breaker rating.
- ④ Will accept maximum four 1-pole, two 2-pole, or two quad breakers.
- ⑤ When a provision for main is provided, order one of the main breakers listed in Table 5-49. All panels are dual labeled to accept Types BW or CSR Main Breakers.
- ⑥ Copper bus.
- ⑦ One-piece cover on utility side, Florida approved.
- ⑧ Units come with feed-through lugs.
- ⑨ Xcel approved.

Table 5-49. Main Breaker Selection Chart

Maximum Ampere Rating	2-Pole Breaker Catalog Numbers				
	10 kAIC	Price U.S. \$	22 kAIC	Price U.S. \$	22 kAIC Price U.S. \$
100	BW2100		BWH2100		CSR2100N
125	BW2125		BWH2125		CSR2125N
150	BW2150		BWH2150		CSR2150N
200	BW2200		BWH2200		CSR2200N
Load Side Lug Kit for BW and CSR Breakers [Ⓣ]					MCBK225

[Ⓣ] When a provision for main is provided, order one of the main breakers listed in this table. All panels are dual labeled to accept Types BW, BWH and CSR Main Breakers.

Residential

Table 5-50. Combination Service Entrance Devices (EUSERC)

Amp. Rating	By-pass	Service	kAIC	Jaws	Distri-bution	Main	Branch Breaker Type	Dimen-sions & Enclosure Shape ①	Figure Numbers		Catalog Number	Price U.S. \$	Flush	Price U.S. \$
									Wir-ing	Knock-out ②				
125	None	OH/UG	③	4	2/4	MLO	BR	2	5-71	5-103, 5-102	MBE24L125BTS		MBE24L125BTF	
125	None	OH/UG	③	4	2/4	MLO	CH	2	5-61	5-103	CMBE24L125BTS ④		—	
150	None	OH/UG	22	4	None	CSH2150N	None	3	5-59	5-103	CMBE150BTS ④		—	
200	None	OH/UG	10	4	None	BWH2200	None	3	5-75	5-103, 5-102	MBEB200BTS		MBEB200BTF	
200	None	OH/UG	22	4	None	CSH2200N	None	3	5-59	5-103	CMBE150BTS ④		—	
200	None	OH/UG	③	4	2/4	MLO	BR	3	5-72	5-103, 5-102	MBE24L200BTS		MBE24L200BTF	
200	None	OH/UG	③	4	2/4	MLO	CH	3	5-63	5-103	CMBE24L200BTS ④		—	
Ring Style Meter Mains (no distribution section included)														
100	None	OH/UG	10	4	12/24	BR2100	BR	2	5-62	5-103, 5-102	MBE1224B100BTS		MBE1224B100BTF	
100	None	UG	10	4	14/28	BR2100	BR	4	5-66	5-101, 5-100	MBE1428B100BS		MBE1428B100BF	
100	None	OH	10	4	12/24	BR2100	BR	9	5-99	5-105	MBE1224B100TS		—	
125	None	OH/UG	10	4	12/24	BR2125	BR	2	5-62	5-103, 5-102	MBE1224B125BTS		MBE1224B125BTF	
125	None	OH	10	4	12/24	BR2125	BR	9	5-99	5-105	MBE1224B125TS		—	
125	None	UG	10	4	18/36	BR2125	BR	5	5-65	5-100	—		MBE1836B125BF	
150	None	OH/UG	10	4	4/8	BWH2150	BR	19	—	—	MBER48B150BTS ⑤⑩		—	
150	None	OH/UG	22	4	8/8	CSH2150N	CH	19	—	—	CMBER88B150BTS ④⑤⑩		—	
150	None	OH/UG	22	4	8	CSH2150N	CH	3	5-60	5-103, 5-102	CMBE88B150BTS ④⑤		CMBE88B150BTF ④⑤	
150	None	UG	22	4	32/42	CSH2150N	CH	7	5-56	5-101	CMBE3242B150BS ④		—	
150	None	UG	10	4	20/40	BWH2150	BR	6	5-64	5-100	—		MBE2040B150BF ⑦	
150	None	OH/UG	22	4	20/40	BWH2150	BR	—	5-68	—	MBE2040B150BTS ⑦		—	
150	None	OH/UG	10	4	4/8	BWH2150	BR	3	5-73	5-103	MBE48B150BTS		—	
200	None	OH/UG	10	4	4/8	BWH2200	BR	3	5-73	5-103, 5-102	MBE48B200BTS ⑤		MBE48B200BTF ⑤	
200	None	OH/UG	22	4	8	CSH2200N	CH	3	5-60	5-103, 5-102	CMBE88B200BTS ④⑤		CMBE88B200BTF ④⑤	
200	None	OH/UG	10	4	8	BWH2200	BR	3	5-74	5-103	MBE88B200BTS		—	
200	None	OH/UG	③	4	4/8	BWH2200	BR	19	5-88	5-107	MBER48B200BTS ⑤⑩		—	
200	None	OH/UG	22	4	8/8	CSH2200N	CH	19	5-87	5-107	CMBER88B200BTS ④⑤⑩		—	
200	None	OH/UG	③	4	8/16	Provision	BR	10	5-76	5-105	MBE816P200TSCU ④⑥		—	
200	None	OH	③	4	8/16	Provision	BR	10	5-76	5-105	MBE816P200TS ⑤⑥		—	
200	None	UG	③	4	6 – 2 Pole	Main Lug	CH	5	5-58	5-101, 5-100	CMBE1212L200BS ④		MBE1212L200BTF	
200	None	OH/UG	③	4	6 – 2 Pole	Main Lug	BR	9	5-78	5-100, 5-101	MBE1212L200BTS		—	
200	None	OH	10	4	20/40	BWH2200	BR	10	5-77	5-105, 5-104	MBE2040B200TS ⑦		MBE2040B200TF ⑦	
200	None	UG	10	4	20/40	BWH2200	BR	6	5-64	5-101, 5-100	MBE2040B200BS ⑦		MBE2040B200BF ⑦	
200	None	OH/UG	22	4	20/40	BWH2200	BR	—	5-68	—	MBE2040BH200BTS ⑦		—	
200	None	OH/UG	22	4	20/40	BWH2200	BR	—	5-68	—	MBE2040BH200BTF ⑦		—	
200	None	UG	22	4	30/42	BWH2200	BR	7	5-69	—	—		MBE3042B200BF	
200	None	UG	22	4	32/42	CSH2200N	CH	7	5-56	5-101, 5-100	CMBE3242B200BS ④		CMBE3242B200BF ④	
200	None	UG	22	4	40	BWH2200	BR	12	5-86	5-106	MBE4040B200BSH ⑧		—	
200	None	OH/UG	22	4	40	BWH2200	BR	12	5-86	5-106	MBE4040B200BTS		MBE4040B200BTF ⑨	
200	None	OH/UG	22	4	42	CSH2200N	CH	12	5-85	5-106	CMBE4242B200BTS ④		—	
200	None	OH/UG	10	4	20/40	BWH2200	BR	18	5-68	5-109, 5-110	MBE2040B200BTS ⑦		MBE2040B200BTF ⑦	
225	None	OH/UG	10	4	20/40	BWH2225	BR	18	5-94	5-109	MBE2040B225BTS ⑦		MBE2040B225BTF ⑦	
225	None	UG	22	4	30/42	BWH2225	BR	7	5-70	—	—		MBE3042B225BF	
225	None	UG	22	4	32/42	CSH2225N	CH	7	5-56	5-101, 5-100	CMBE3242B225BS ④		CMBE3242B225BF ④	

- ① See Table 5-57 on Page 5-65 for box details.
- ② See knockout drawings for hub information.
- ③ Interrupting rating is dependent on the main breaker that is installed.
- ④ Unit has copper bus.
- ⑤ Units come with feed-through lugs.
- ⑥ When a provision for main is provided, order one of the main breakers listed in Table 5-51. All panels are dual labeled to accept Types BW or CSR Main Breakers.
- ⑦ Please use RH-Type hubs on top end wall for overhead feed.
- ⑧ Includes factory mounted 2.50 inch hub on bottom endwall. UG feed only.
- ⑨ Semi flush flange, not full stucco flange.
- ⑩ Units include a 2-pole provision for secondary main 70 A max. Type BR, BRH, BRHH.

Table 5-51. Main Breaker Selection Chart

Maximum Ampere Rating	2-Pole Breaker Catalog Numbers					
	10 kAIC	Price U.S. \$	22 kAIC	Price U.S. \$	22 kAIC	Price U.S. \$
100	BW2100		BWH2100		CSR2100N	
125	BW2125		BWH2125		CSR2125N	
150	BW2150		BWH2150		CSR2150N	
200	BW2200		BWH2200		CSR2200N	
Load Side Lug Kit for BW and CSR Breakers ⑪					MCBK225	

- ⑪ When a provision for main is provided, order one of the main breakers listed in this table. All panels are dual labeled to accept Types BW, BWH and CSR Main Breakers.

Mechanical Interlock Covers

Product Selection

Table 5-56. Mechanical Interlock Cover

Mechanical Interlock Deadfront	Meter Breaker Catalog Number
MBDF1M	CMB1212B200BTS, CMB1212B200BTSD, CMB1212P200BTS, CMB1212P200BTSD
MBDF1AM	CMB2424B200BTS
MBDF2M	MB816B200BTS, MB816B200BTSCU, MB816P200BTS, MB816P200BTSCU, MB816P200STD
MBDF3M	MB2040B200BTS, MB2040P200BTS, MB2040P200SD
MBDF4M	MBE816P200TS, MBE816P200TSCU
MBDF5M	MBE2040B150BF, MBE2040B150BS, MBE2040B200BF, MBE2040B200BS
MBDF6M	MBE2040B200TF, MBE2040B200TS, MBE2040T200TF, MBE2040P200TS
MBDF7M	CMBE324B150BF, CMBE324B150BS, CMBE324B200BF, CMBE324B200BS, CMB324B150BS, CMB324B200BS
MBDF8M	CMBE4242B200BSH, CMBE4242B200BTF, CMBE4242B200BTS
MBDF9M	MBE4040B200BSH, MBE4040B200BSHH, MBE4040B200BTF, MBE4040B200BTS

*Meter Breaker with Interlock Cover*

Covers mechanically interlock two breakers. Covers interlock main breaker with 2-pole breaker mounted in the distribution section of the meter breakers.

Box Styles

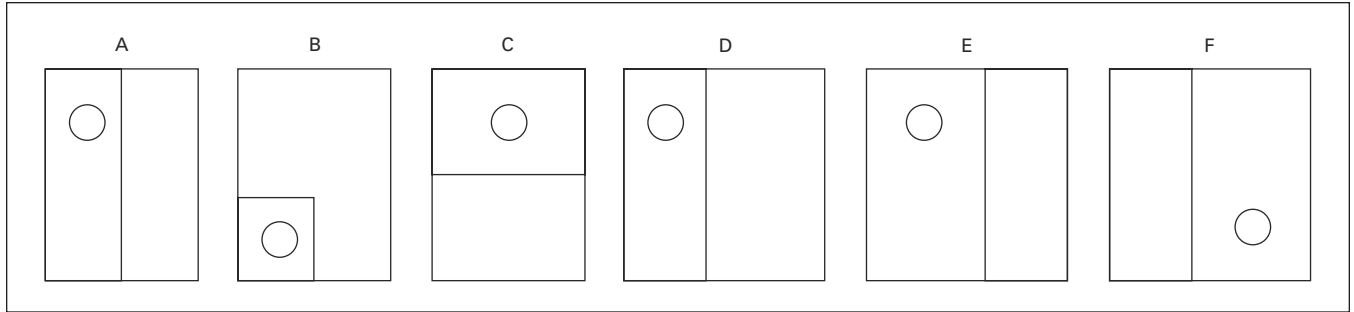


Figure 5-55. Five Different Styles (Shapes) of Product

Table 5-57. Box Dimensions

Box Number	Dimensions in Inches (mm)			Box Style
	Height	Width	Depth	
1	12.50 (317.5)	14.44 (366.7)	4.00 (101.6)	A
2	23.88 (606.4)	14.44 (366.7)	5.38 (136.5)	A
3	28.38 (720.7)	14.44 (366.7)	5.38 (136.5)	A
4	34.13 (866.8)	14.44 (366.7)	5.38 (136.5)	B
5	36.13 (917.6)	14.44 (366.7)	5.38 (136.5)	B
6	43.38 (1101.7)	14.44 (366.7)	5.38 (136.5)	B
7	46.88 (1190.6)	14.44 (366.7)	5.38 (136.5)	B
8	19.75 (501.7)	7.50 (190.5)	4.00 (101.6)	C
9	25.00 (635.0)	14.44 (366.7)	5.38 (136.5)	C
10	32.38 (822.3)	14.44 (366.7)	5.38 (136.5)	C
11	36.63 (930.3)	14.44 (366.7)	5.38 (136.5)	C
12	34.38 (873.1)	22.00 (558.8)	5.38 (136.5)	D
13	19.75 (501.7)	14.44 (366.7)	5.38 (136.5)	E
14	39.91 (1013.7)	14.44 (366.7)	5.38 (136.5)	C
15	23.88 (606.6)	13.00 (330.2)	4.94 (125.5)	F
16	28.38 (720.9)	13.00 (330.2)	4.94 (125.5)	F
17	34.19 (868.4)	22.13 (562.1)	5.00 (127.0)	D
18	36.06 (915.9)	16.63 (422.4)	5.50 (139.7)	A
19	28.38 (720.9)	14.44 (366.8)	4.94 (125.5)	A
20	32.06 (814.3)	14.44 (366.8)	4.94 (125.5)	C
21	25.50 (647.7)	14.44 (366.8)	4.94 (125.5)	C

Table 5-58. Meter Breaker Parts

Description	Catalog Number	Price U.S. \$
5th Jaw Kits		
Compact and Standard Styles (MB & CMB) WMB Style	MB5JAWKIT	
EUSERC Styles	WMB5J 1MM5JKOP	
Manual Bypass Kits		
Ring Style Units Only (MB)	1MMBPM200	
Horn Bypass Kits		
Ringless Style Units Only (MB & CMB) EUSERC Styles	MBHBPKIT 1MMBPH	

Table 5-59. Wire Size Chart

Main	Wire Size Range Cu/Al 60°C or 75°C for Line Terminals
BR250	#14 – 4 kcmil
BR260	#4 – 1/0 kcmil
BR270	#4 – 1/0 kcmil
BR280	#4 – 1/0 kcmil
BR290	#4 – 1/0 kcmil
BR2100	#4 – 1/0 kcmil
BW2125	#2 – 300 kcmil
BW2150	#2 – 300 kcmil
BW2200	#2 – 300 kcmil
BWH2125	#2 – 300 kcmil
BWH2150	#2 – 300 kcmil
BWH2200	#2 – 300 kcmil
CSR2125N	#1/0 – 250 kcmil
CSR2150N	#1/0 – 250 kcmil
CSR2200N	#1/0 – 250 kcmil
125 Ampere Main Lugs	—
200 Ampere Main Lugs	—
MCBK225	#2 – 300 kcmil

Table 5-60. Wire Size is Determined by the Circuit Breaker Installed in the Enclosure

Wire/Application	Maximum	
	Wire Size	Ampere Rating
Aluminum — Standard	250 kcmil	200
Aluminum — Service Entrance	250 kcmil	225
Copper — Standard and Service Entrance	250 kcmil	225

Table 5-61. Hub Selection Chart

Hub Size Dimensions in Inches (mm)	Catalog Number	Price U.S. \$
1.00 (25.4)	DS100H2	
1.25 (31.8)	DS125H2	
1.50 (38.1)	DS150H2	
2.00 (50.8)	DS200H2	
2.50 (63.5)	DS250H2	
3.00 (76.2)	DS300H2	

Typical Wiring Diagrams (Residential Meter Breakers)

5

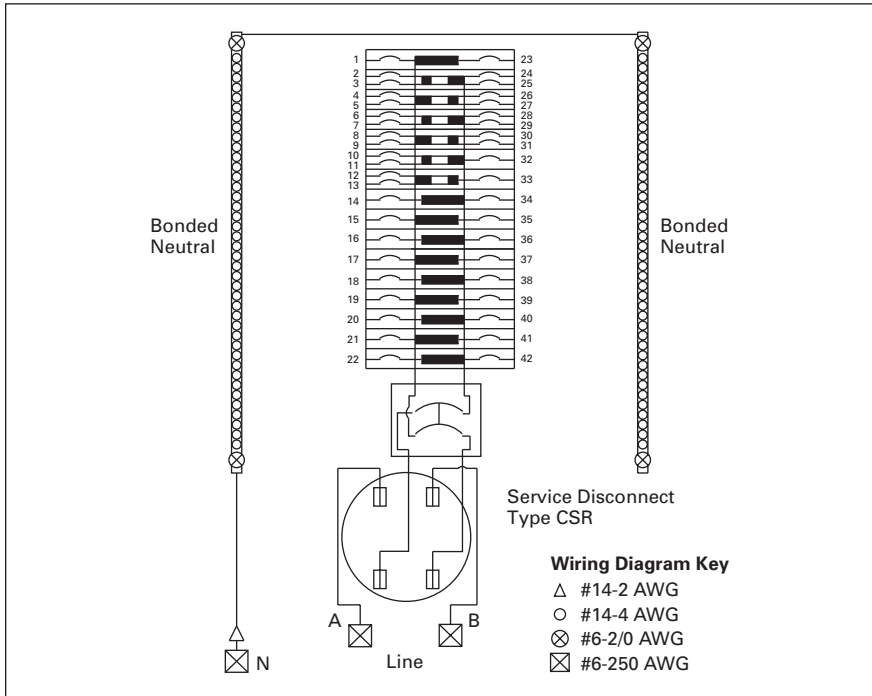


Figure 5-56. Catalog Numbers — CMB3242B200BS, CMBE3242B150BS, CMBE3242B200BS, CMBE3242B200BF, CMBE3242B225BS and CMBE3242B225BF

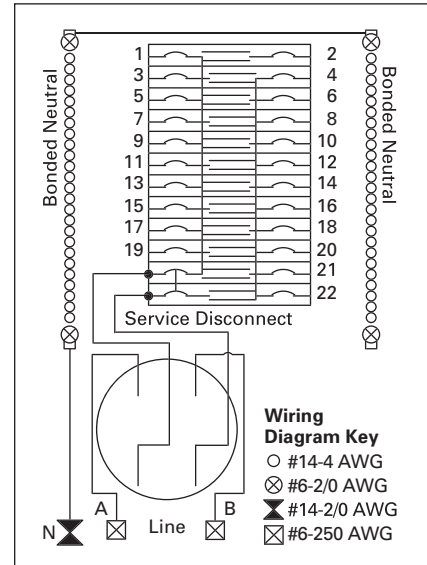


Figure 5-57. Catalog Numbers —

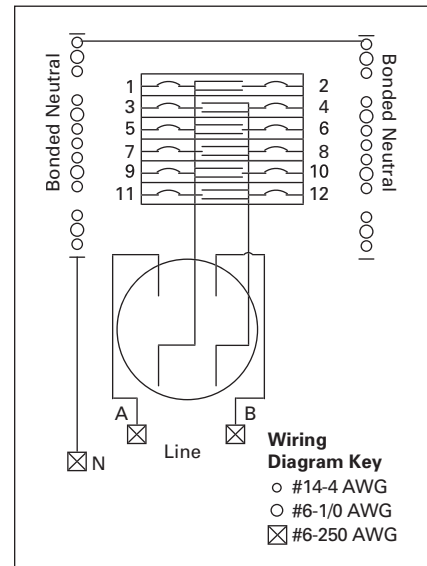
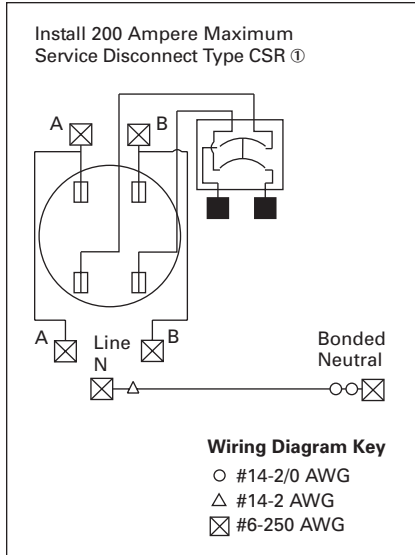


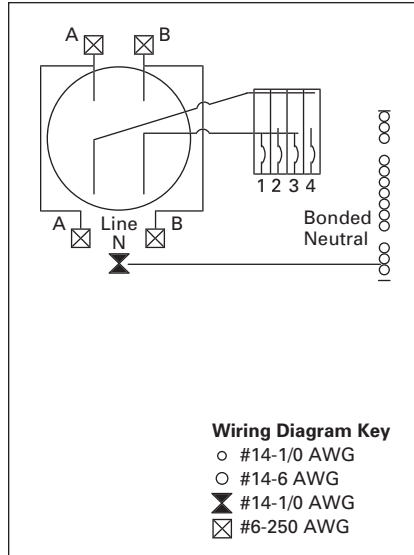
Figure 5-58. Catalog Number — CMBE1212L200BS

Typical Wiring Diagrams (Residential Meter Breakers)

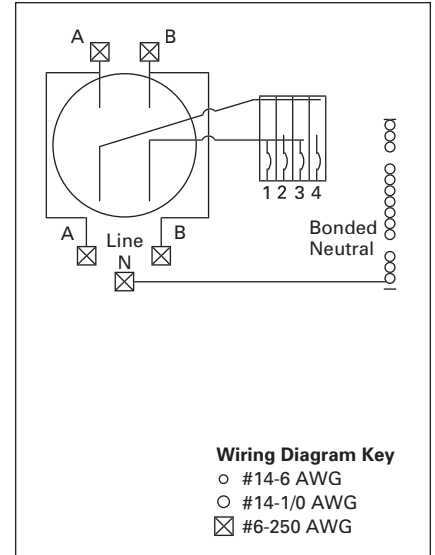


**Figure 5-59. Catalog Numbers —
CMBP200BTS, CMBB150BTS, CMBB200BTS,
CMBEB150BTS and CMBEB200BTS**

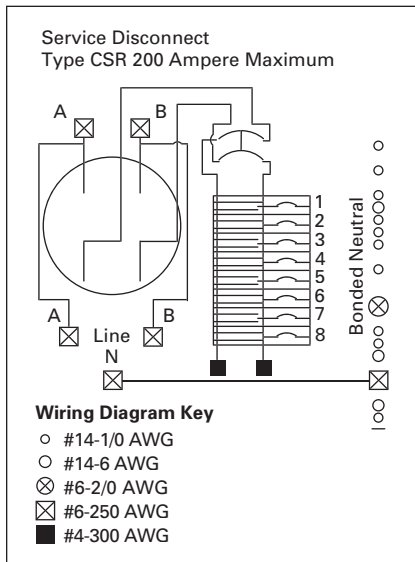
① Factory installed MCBK225 Kit for C/B load lugs.



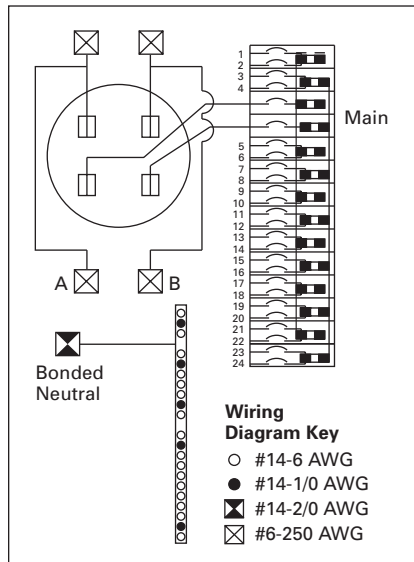
**Figure 5-61. Catalog Numbers —
CMBE24L125BTS and CMB24L125BTS**



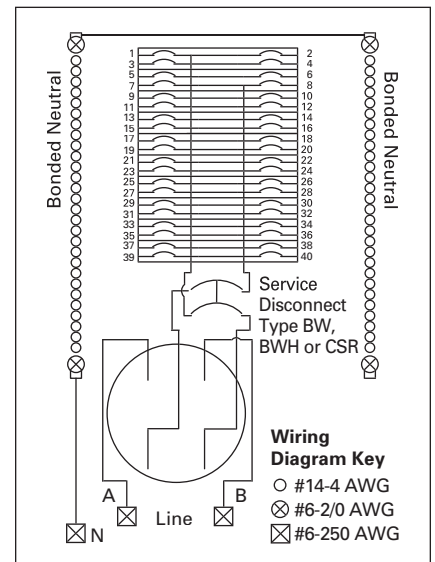
**Figure 5-63. Catalog Number —
CMBE24L200BTS**



**Figure 5-60. Catalog Numbers —
CMBE88B200BTS, CMBE88B200BTF,
CMB88B200BTS, CMB88B150BTS,
CMBE88B150BTS and CMBE88B150BTF**



**Figure 5-62. Catalog Numbers —
MBE1224B100BTS, MBE1224B100BTF,
MBE1224B125BTS and MBE1224B125BTF**



**Figure 5-64. Catalog Numbers —
MBE2040B150BF, MBE2040B200BS and
MBE2040B200BF**

Typical Wiring Diagrams (Residential Meter Breakers)

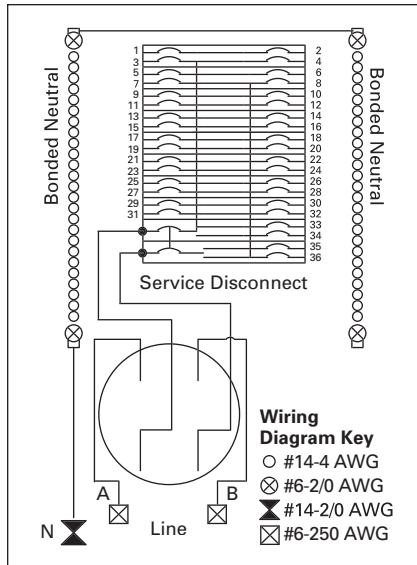


Figure 5-65. Catalog Number —
MBE1836B125BF

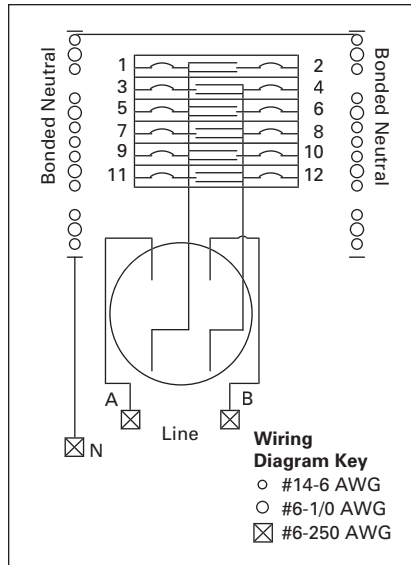


Figure 5-67. Catalog Numbers —

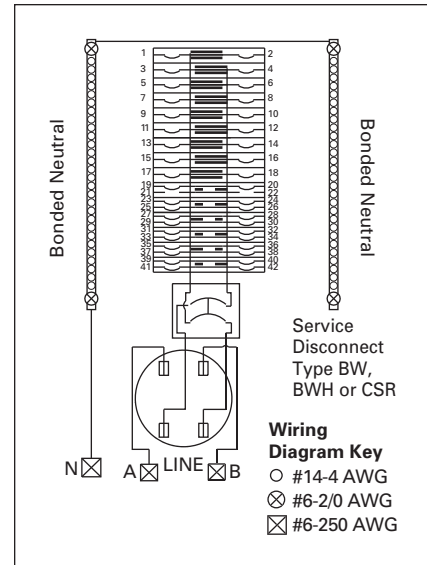


Figure 5-69. Catalog Number —
MBE3042B200BF

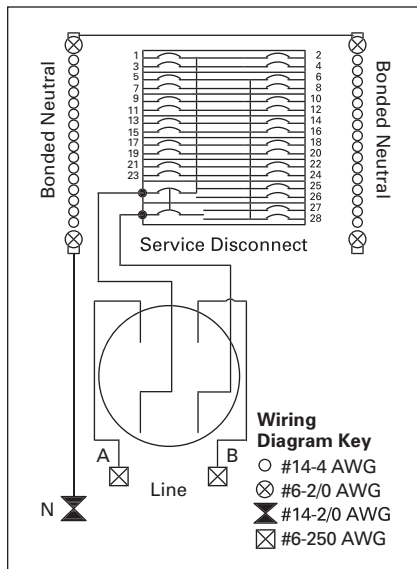


Figure 5-66. Catalog Numbers —
MBE1428B100BS and MBE1428B100BF

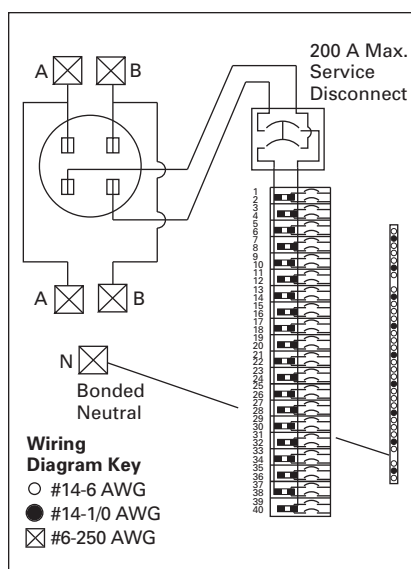


Figure 5-68. Catalog Numbers —
MBE2040B200BTS, MBE2040B150BTS,
MBE2040BH200BTS and MBE2040BH200BTF

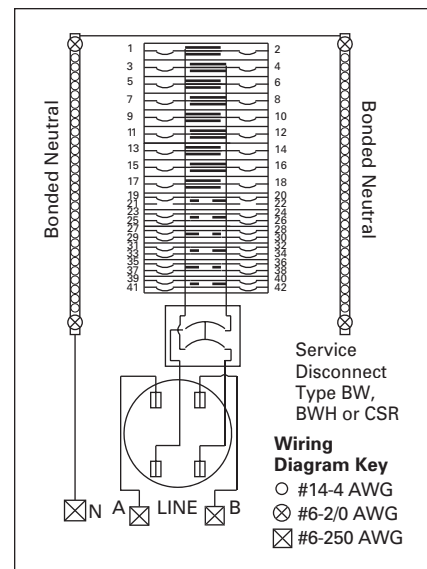


Figure 5-70. Catalog Number —
MBE3042B225BF

Typical Wiring Diagrams (Residential Meter Breakers)

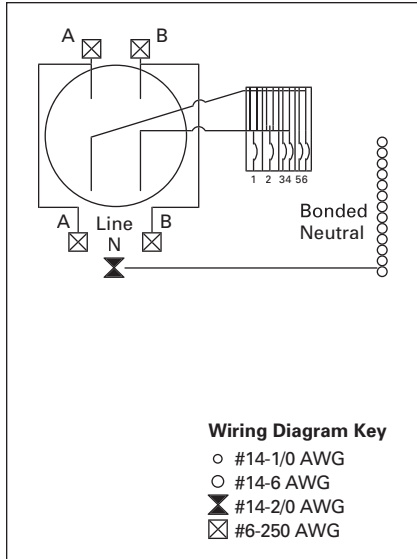


Figure 5-71. Catalog Numbers — MBE24L125BTS and MBE24L125BTF

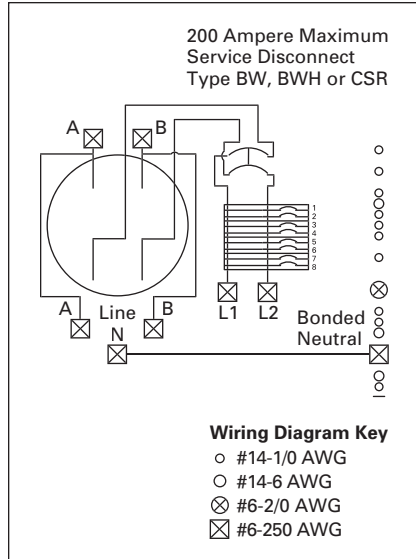


Figure 5-73. Catalog Numbers — MBE48B150BTS, MBE48B200BTS, MBE48B200BTF and MB48B200BTS

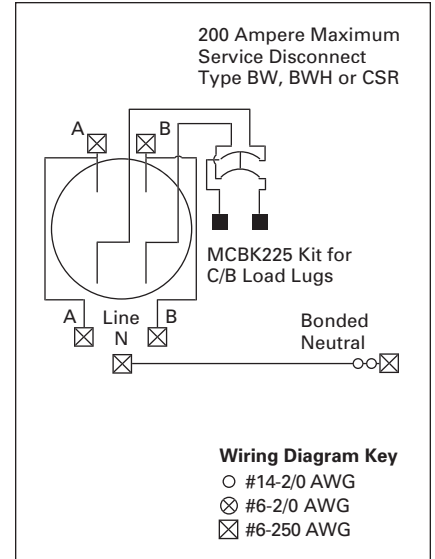


Figure 5-75. Catalog Numbers — MBEB200BTS and MBEB200BTF

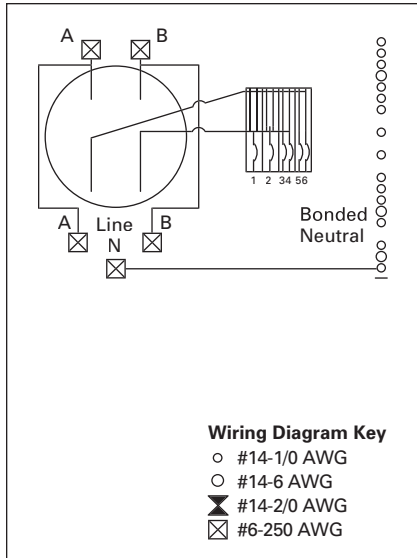


Figure 5-72. Catalog Numbers — MBE24L200BTS and MBE24L200BTF

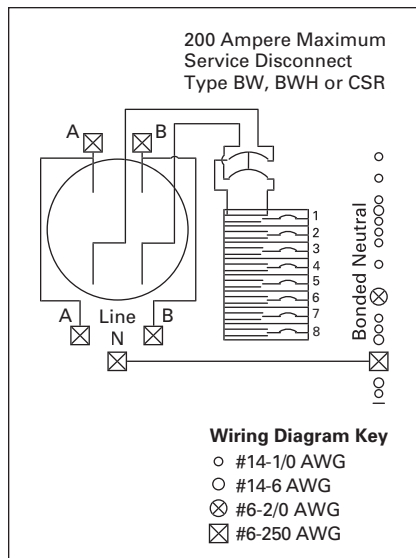


Figure 5-74. Catalog Number — MBE88B200BTS

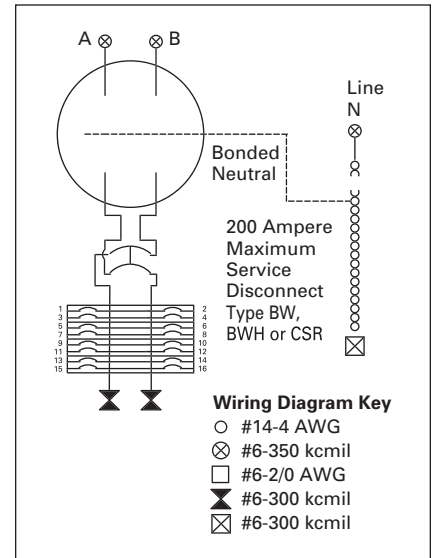


Figure 5-76. Catalog Numbers — MBE816P200TS and MBE816P200TSCU

Typical Wiring Diagrams (Residential Meter Breakers)

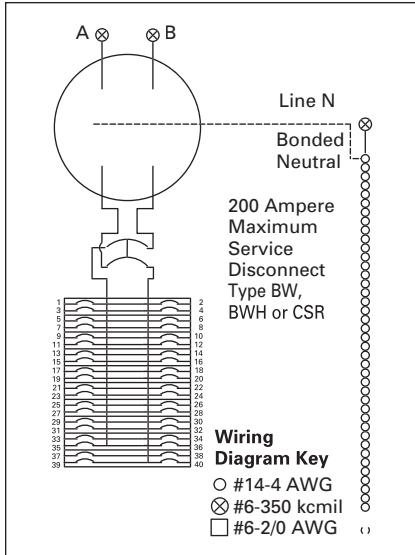


Figure 5-77. Catalog Numbers — MBE2040B200TS and MBE2040B200TF

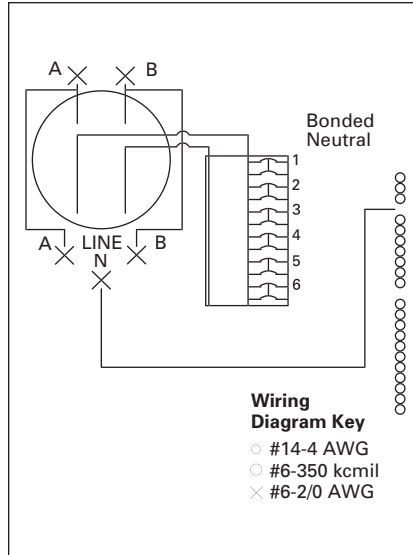


Figure 5-79. Catalog Number — MBE1212L200BTS

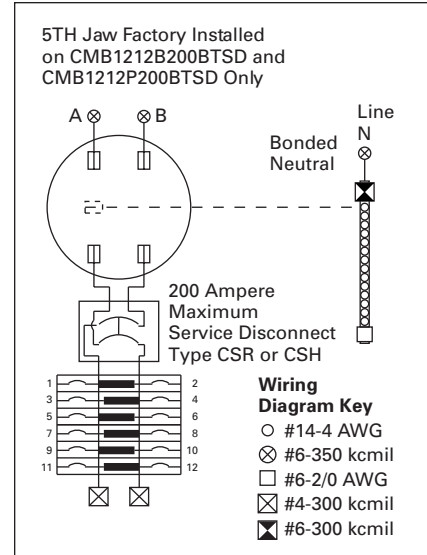


Figure 5-81. Catalog Numbers — CMB1212B200BTSD, CMB1212P200BTS and CMB1212B200BTS

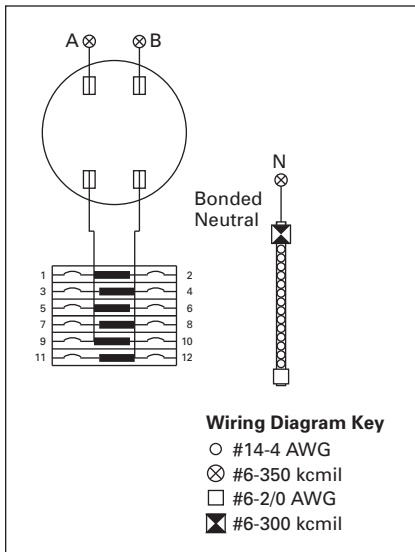


Figure 5-78. Catalog Number — MBE1212L200BTS

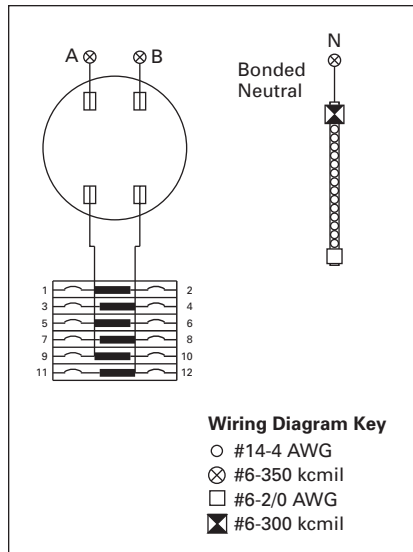


Figure 5-80. Catalog Number — CMBE1212L200TS

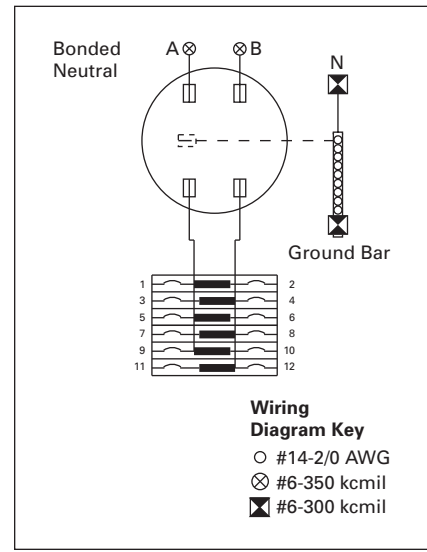


Figure 5-82. Catalog Number — MB1212L200BTS

Typical Wiring Diagrams (Residential Meter Breakers)

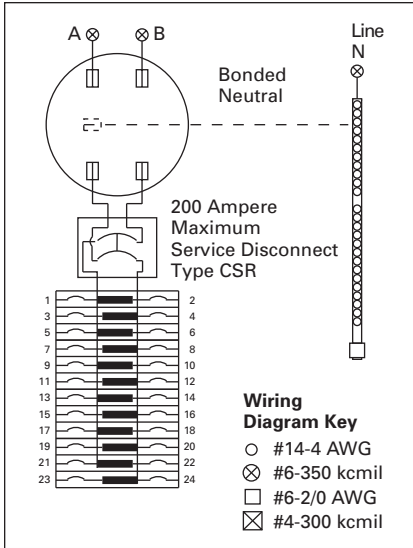


Figure 5-83. Catalog Number — CMB2424B200BTS

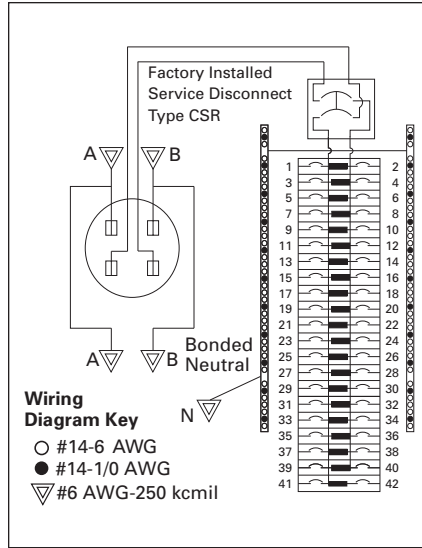


Figure 5-85. Catalog Number — CMBE4242B200BTS

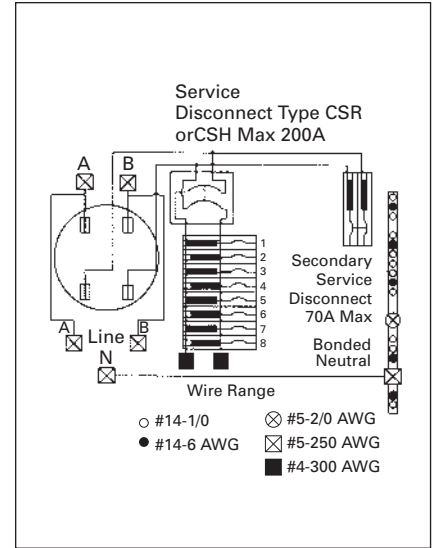


Figure 5-87. Typical Wiring Diagram for CMBER88B200BTS and CMBER88B200BTF

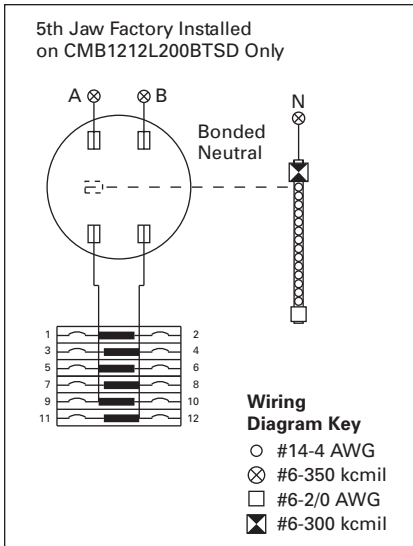


Figure 5-84. Catalog Number — CMB1212L200BTS

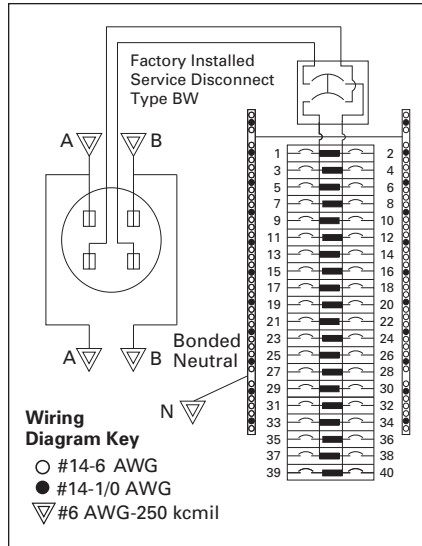


Figure 5-86. Catalog Numbers — MBE4040B200BTS and MBE4040B200BSH

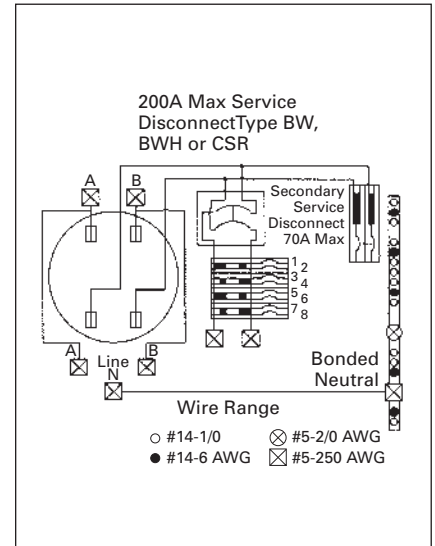


Figure 5-88. Typical Wiring Diagram for MBER48B200BTS and MBER48B200BTF

Residential

Typical Wiring Diagrams (Residential Meter Breakers)

5

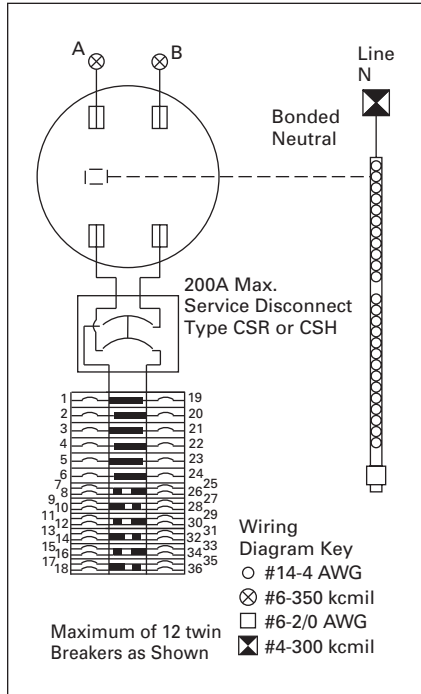


Figure 5-89. Typical Wiring Diagram for Catalog Number CMB2436B200BTS

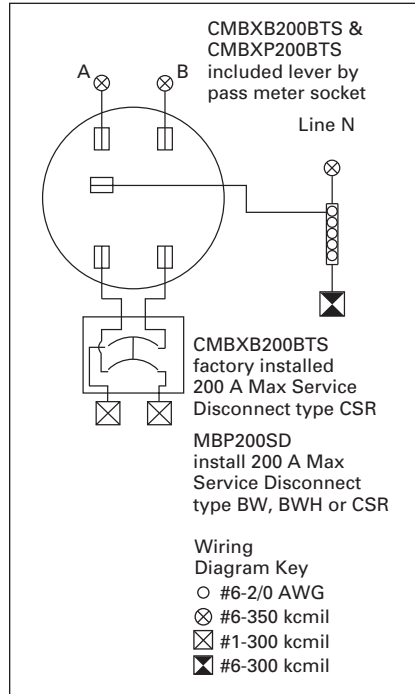


Figure 5-91. Typical Wiring Diagram for Catalog Numbers MBP200SD, CMBXB200BTS, CMBXP200BTS

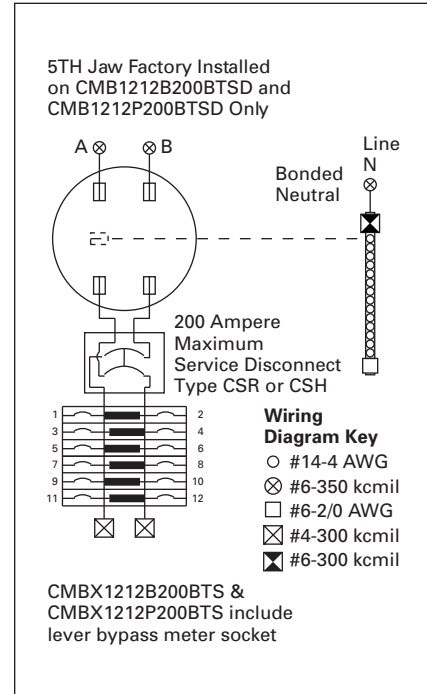


Figure 5-93. Typical Wiring Diagram for Catalog Numbers CMB1212B150BTS, CMB1212B200BTS, CMB1212P200BTS, CMB1212B200BTS, CMB1212P200BTS, CMB1212P200BTS

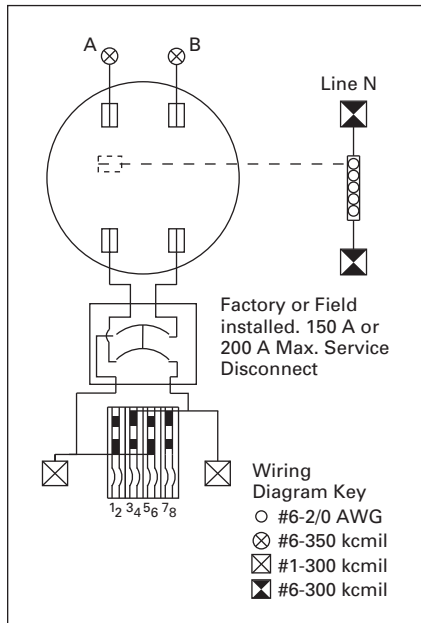


Figure 5-90. Typical Wiring Diagram for Catalog Numbers MBT48B200BTS, MBT48P200BTS, MBT48B150BTS, MBT48P150BTS

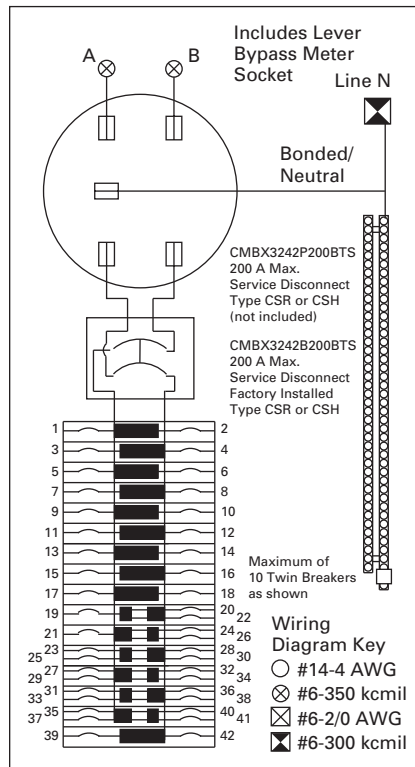


Figure 5-92. Typical Wiring Diagram for Catalog Numbers CMBX3242P200BTS, CMBX3242B200BTS

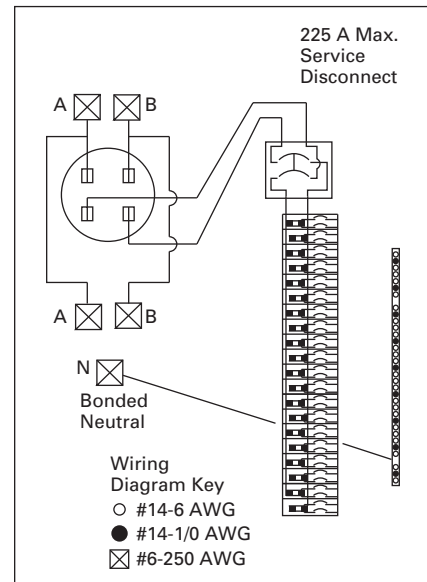


Figure 5-94. Typical Wiring Diagram for Catalog Numbers MBE2040B225BTS, MBE2040B225BTF

Typical Wiring Diagrams (Non-EUSERC Meter Breaker Design)

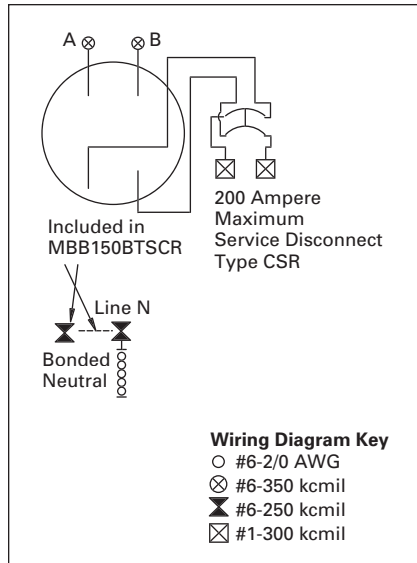


Figure 5-95. Catalog Numbers — MBB150BTSCR, MBB150BTSCR, MBB200BTSCR and MBB200BTSCR

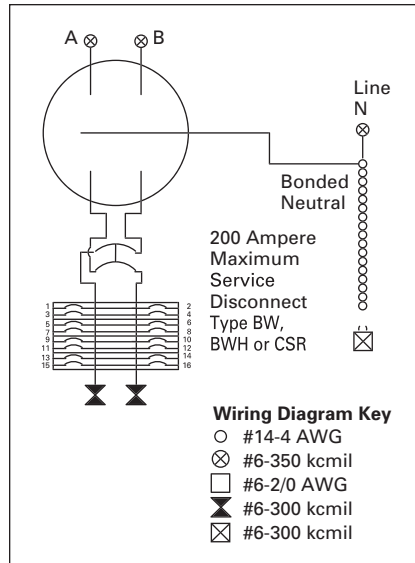


Figure 5-97. Catalog Numbers — MB816P200STD, MB816B200BTS, MB816B200BTSCU, MB816P200BTS, MB816P200BTSCU and MB816P200BTS

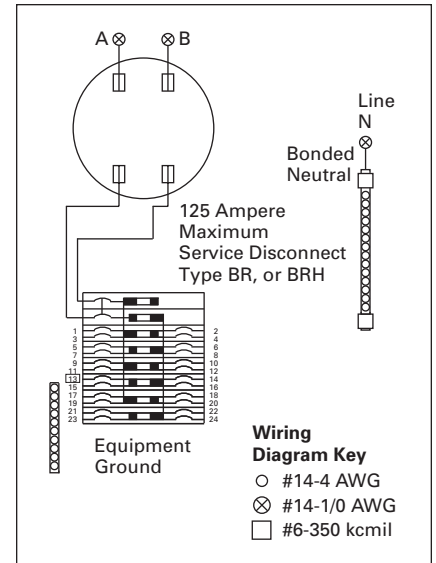


Figure 5-99. Catalog Numbers — MBE1224B125TS and MBE1224B100TS

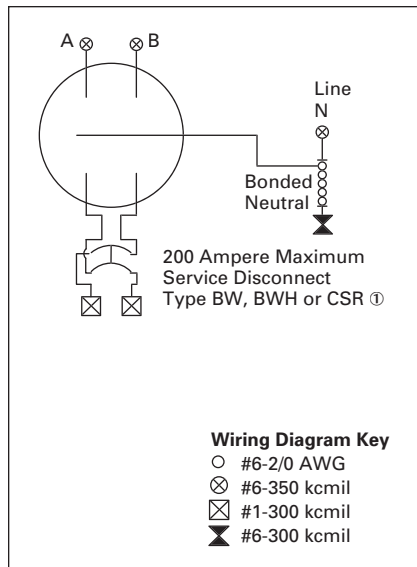


Figure 5-96. Catalog Numbers — MBB150BTS, MBP200SD, MBB200BTS, MBP200BTS, MBP200BTSD, CMBXB200BTS and CMBXP200BTS

① Use MCBK225 for C/B Load Lugs.

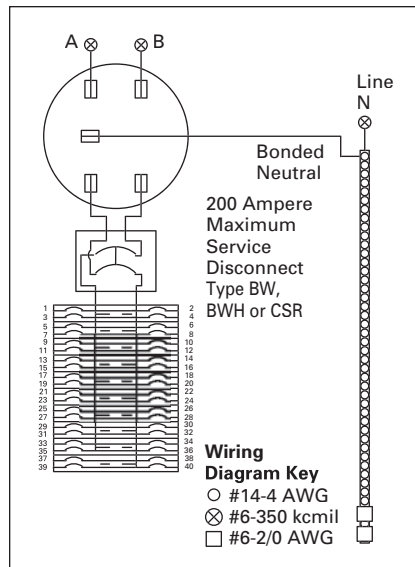


Figure 5-98. Catalog Numbers — MB2040P200SD, MB2040B200BTS, MB2040P200BTS, MB2040B150SD and MB2040B200SD

Dimensions and Knockouts (Residential Meter Breakers) — Dimensions in Inches (mm)

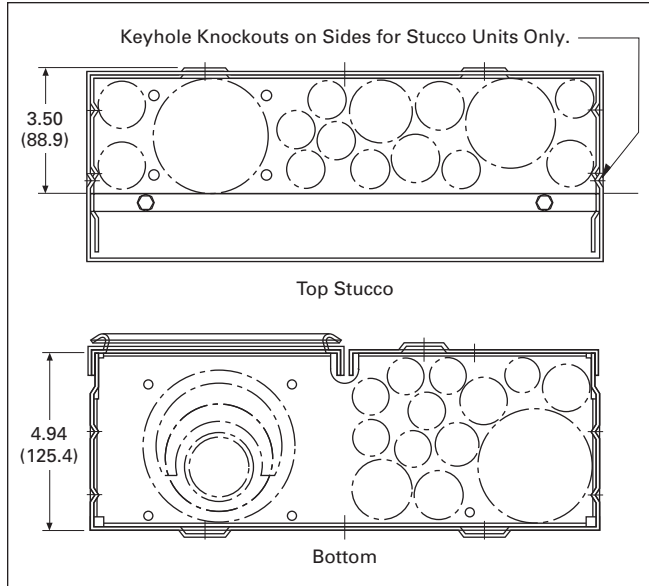


Figure 5-100. Knockouts for Stucco and Surface Units Catalog Numbers — CMBE3242B200BF, CMBE3242B225BF, MBE2040B200BF, MBE2040B150BF, MBE1428B100BF, MBE1212L200BTF, MBE1836B125BF and MBE1212L200BTS

Table 5-62. Top Endwall (Surface)

Hub Provision Catalog Number	Price U.S. \$
DS100H2 DS125H2 DS150H2	
DS200H2 DS250H2 DS300H2 DS900AP (Adapter Plate if using DS__H1 hubs only) ①	

① Use when DS H1 Type 1, 1.25 and 1.50-inch hubs are needed.

Table 5-63. Top Endwall (Stucco)

Knockout Size Dimensions in Inches (mm)	Quantity
1.25, 1.50, 2.00, 2.50 (31.8, 38.1, 50.8, 63.5)	1
1.00, 1.25, 1.50 (25.4, 31.8, 38.1)	1
.50, .75, 1.00 (12.7, 19.1, 25.4)	1
.50, .75 (12.7, 19.1)	5
.50 (12.7)	7

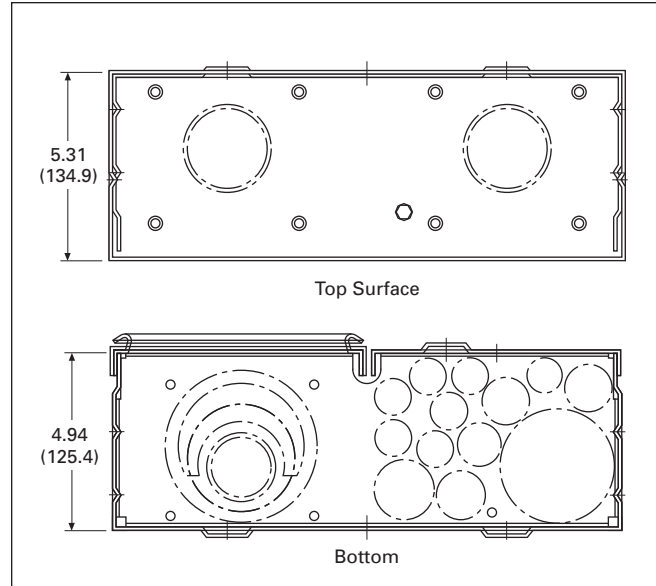


Figure 5-101. Knockouts for Stucco and Surface Units Catalog Numbers — CMBE3242B150BS, CMBE3242B200BS, CMBE3242B225BS, CMBE1212L200BS, MBE2040B200BS, MBE1428B100BS, MBE1212L200BTS, CMB3242B150BS and CMB3242B200BS

Table 5-64. Bottom Endwall

Knockout Size Dimensions in Inches (mm)	Quantity
.50 (12.7)	7
.50, .75 (12.7, 19.1)	4
.50, .75, 1.00 (12.7, 19.1, 25.4)	1
1.00, 1.25, 1.50, 2.00 (25.4, 31.8, 38.1, 50.8)	1
1.25, 1.50, 2.00, 2.50, 3.00 (31.8, 38.1, 50.8, 63.5, 76.2)	1

Dimensions and Knockouts (Residential Meter Breakers) — Dimensions in Inches (mm)

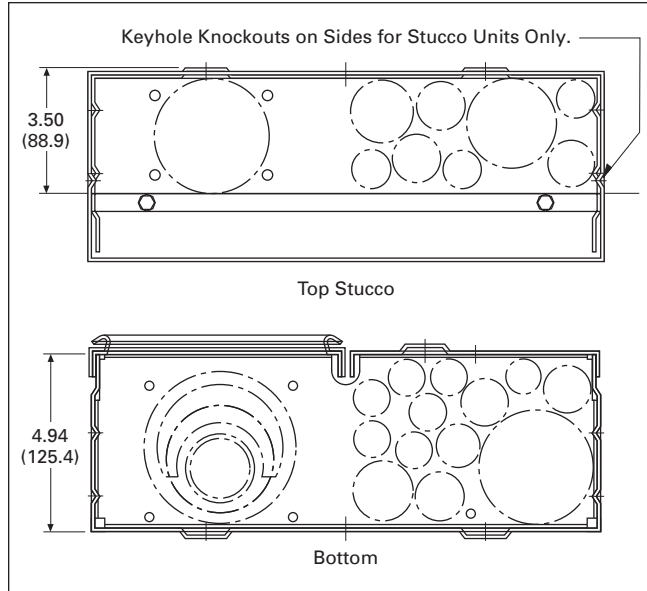


Figure 5-102. Knockouts for Stucco and Surface Units Catalog Numbers — CMBE88B150BTF, CMBE88B200BTF, MBE24L125BTF, MBE24L200BTF, MBE48B200BTF, MBEB200BTF, MBE1224B100BTF and MBE1224B125BTF

Table 5-65. Top Endwall (Surface)

Hub Provision Catalog Number	Price U.S. \$
DS100H2	
DS125H2	
DS150H2	
DS200H2	
DS250H2	
DS300H2	
DS900AP (Adapter Plate) ①	

① Use when DS H1 Type 1, 1.25 and 1.50-inch hubs are needed.

Table 5-66. Top Endwall (Stucco)

Knockout Size Dimensions in Inches (mm)	Quantity
1.25, 1.50, 2.00, 2.50 (31.8, 38.1, 50.8, 63.5)	1
1.00, 1.25, 1.50 (25.4, 31.8, 38.1)	1
.50, .75, 1.00 (12.7, 19.1, 25.4)	1
.50, .75 (12.7, 19.1)	3
.50 (12.7)	3

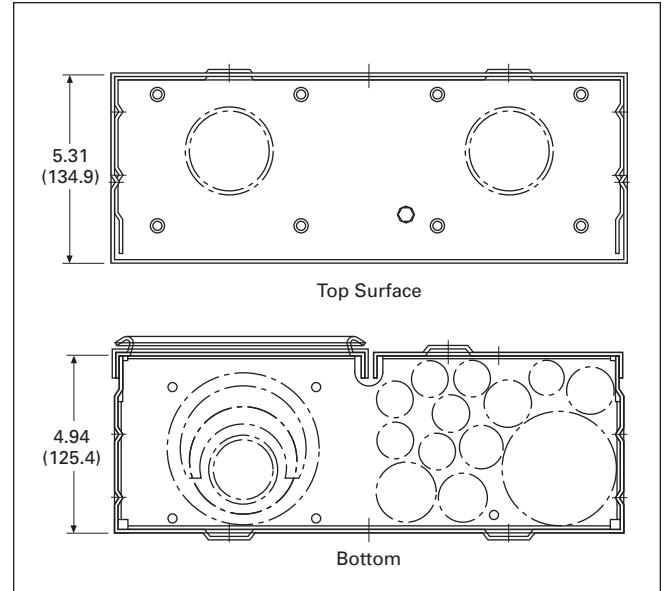


Figure 5-103. Knockouts for Stucco and Surface Units Catalog Numbers — CMBB150BTS, CMBB200BTS, CMBP200BTS, CMBE24L125BTS, CMB24L125BTS, CMBE24L200BTS, CMBE200BTS, CMBE150BTS, CMBE88B150BTS, CMBP200BTS, CMBE88B200BTS, MBE24L125BTS, MBE24L200BTS, MBE48B150BTS, MBE48B200BTS, MBE88B200BTS, MBEB200BTS, MBE1224B100BTS, MBE1224B125BTS, CMB88B150BTS, CMB88B200BTS and MB48B200BTS

Table 5-67. Bottom Endwall

Knockout Size Dimensions in Inches (mm)	Quantity
.50 (12.7)	7
.50, .75 (12.7, 19.1)	4
.50, .75, 1.00 (12.7, 19.1, 25.4)	1
1.00, 1.25, 1.50, 2.00 (25.4, 31.8, 38.1, 50.8)	1
1.25, 1.50, 2.00, 2.50, 3.00 (31.8, 38.1, 50.8, 63.5, 76.2)	1

Dimensions and Knockouts (Residential Meter Breakers) — Dimensions in Inches (mm)

5

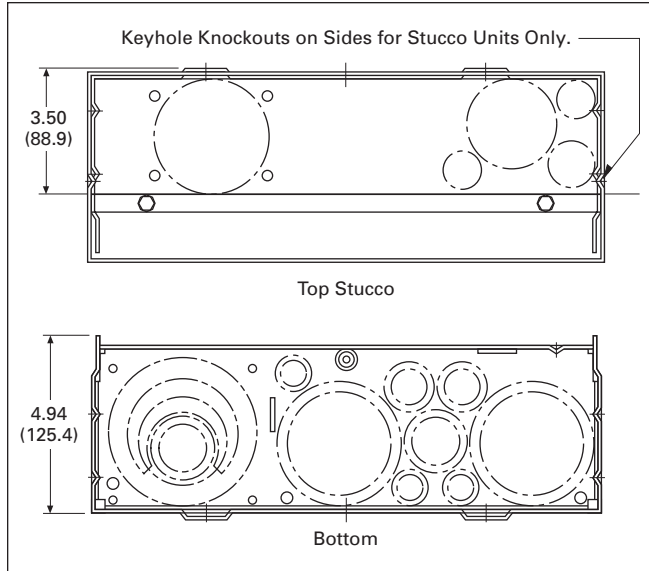


Figure 5-104. Knockouts for Stucco and Surface Units Catalog Number — MMBE2040B200TF

Table 5-68. Top Endwall (Surface)

Hub Provision Catalog Number	Price U.S. \$
DS100H2 DS125H2 DS150H2	
DS200H2 DS250H2 DS300H2 DS900AP (Adapter Plate) ①	

① Use when DS H1 Type 1, 1.25 and 1.50-inch hubs are needed.

Table 5-69. Top Endwall (Stucco)

Knockout Size Dimensions in Inches (mm)	Quantity
1.25, 1.50, 2.00, 2.50 (31.8, 38.1, 50.8, 63.5)	1
1.00, 1.25, 1.50 (25.4, 31.8, 38.1)	1
.50, .75, 1.00 (12.7, 19.1, 25.4)	1
.50, .75 (12.7, 19.1)	3
.50 (12.7)	3

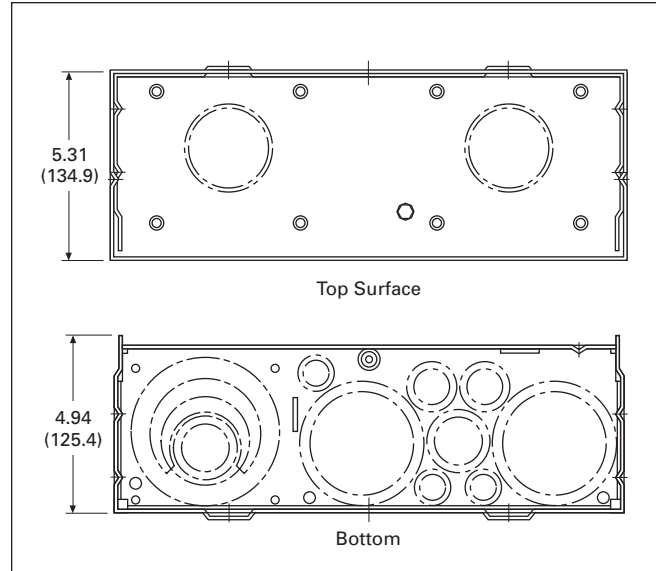
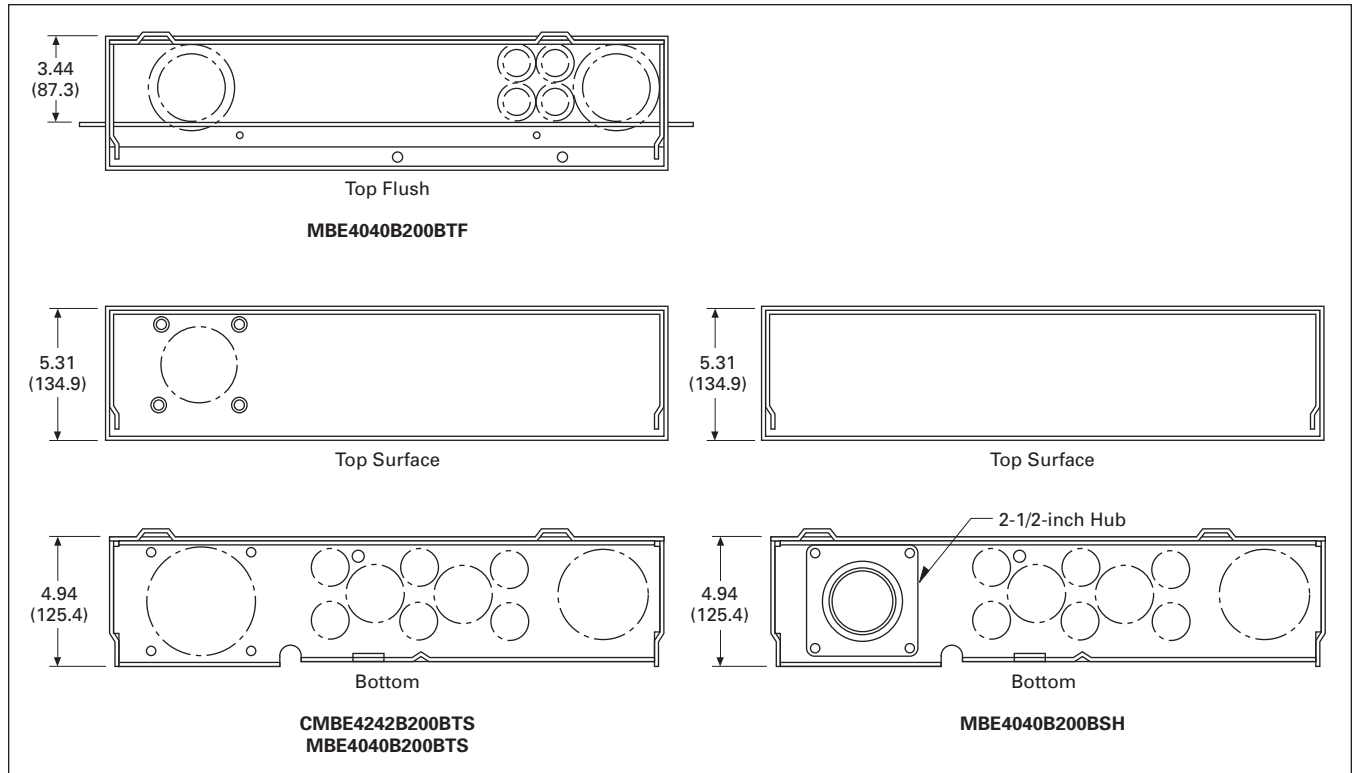


Figure 5-105. Knockouts for Stucco and Surface Units Catalog Numbers — MBE1224B100TS, MBE1224B125TS, MBE816P200TS, MBE816P200TSCU, MBE2040B200TS, CMB1212P200BTS, CMB1212P200BTSD, CMB1212B200BTS, MB1212L200BTS and CMB1212L200BTS

Table 5-70. Bottom Endwall

Knockout Size Dimensions in Inches (mm)	Quantity
.50 (12.7)	7
.50, .75 (12.7, 19.1)	4
.50, .75, 1.00 (12.7, 19.1, 25.4)	1
1.00, 1.25, 1.50, 2.00 (25.4, 31.8, 38.1, 50.8)	1
1.25, 1.50, 2.00, 2.50, 3.00 (31.8, 38.1, 50.8, 63.5, 76.2)	1

Dimensions and Knockouts (Residential Meter Breakers) — Dimensions in Inches (mm)



5

Figure 5-106. Knockouts for Stucco and Surface Units

Table 5-71. Top Endwall (Surface)

Hub Provision Catalog Number	Price U.S. \$
DS100H2	
DS125H2	
DS150H2	
DS200H2	
DS250H2	
DS300H2	
DS900AP (Adapter Plate) ①	

① Use when DS H1 Type 1, 1.25 and 1.50-inch hubs are needed.

Table 5-72. Top Endwall (Stucco)

Knockout Size Dimensions in Inches (mm)	Quantity
1.25, 1.50, 2.00, 2.50 (31.8, 38.1, 50.8, 63.5)	2
.50, .75 (12.7, 19.1)	3

Table 5-73. Bottom Endwall

Knockout Size Dimensions in Inches (mm)	Quantity
.50, .75 (12.7, 19.1)	6
.50, .75, 1, 1.25 (12.7, 19.1, 25.4, 31.8)	2
1.00, 1.25, 1.50, 2.00, 2.50 (25.4, 31.8, 38.1, 50.8, 63.5)	1
1.00, 1.25, 1.50, 2.00, 2.50, 3.00 (25.4, 31.8, 38.1, 50.8, 63.5, 76.2)	1

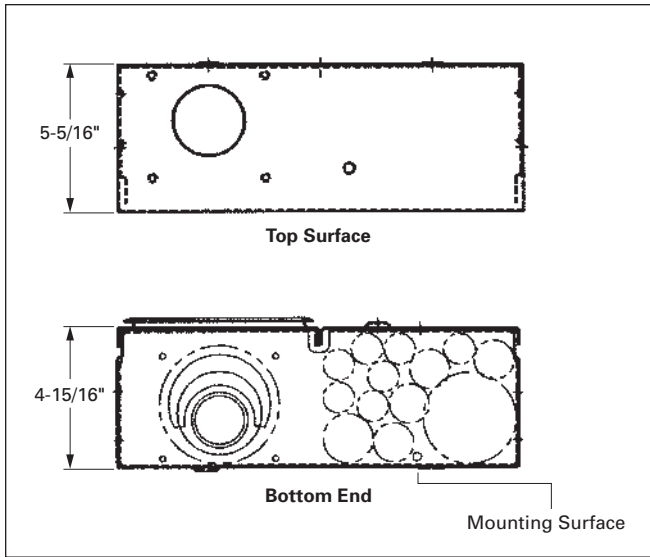


Figure 5-107. Knockout Configurations and Dimensions for Catalog Numbers MBER48B200BTS and CMBER88B200BTS

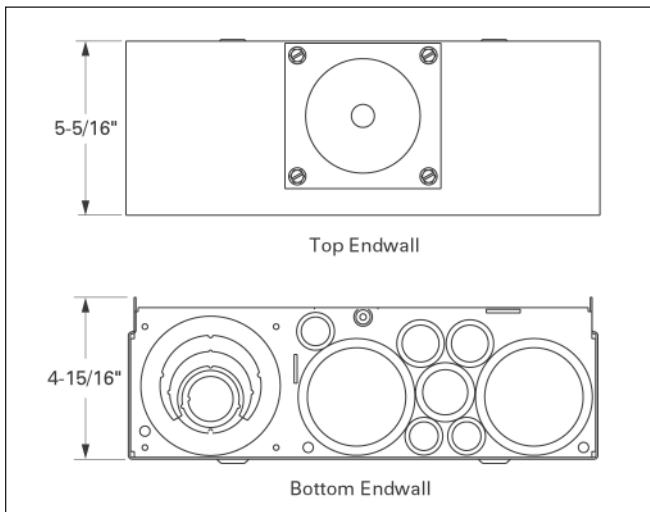


Figure 5-108. Knockout Configurations and Dimensions for Catalog Numbers CMBXP200BTS, CMBXB200BTS, CMBX1212P200BTS and CMBX3242P200BTS, CMBX3242B200BTS, CMBX1212B200BTS

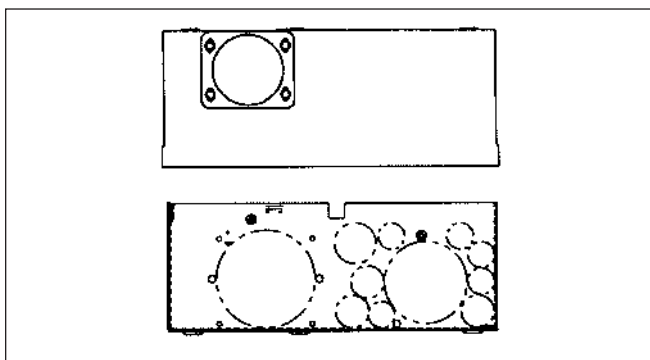


Figure 5-109. Surface Unit Knockout Configurations and Dimensions for MBE2040B200BTS, MBE2040B225BTS, MBE2040B200BTF and MBE2040B225BTF

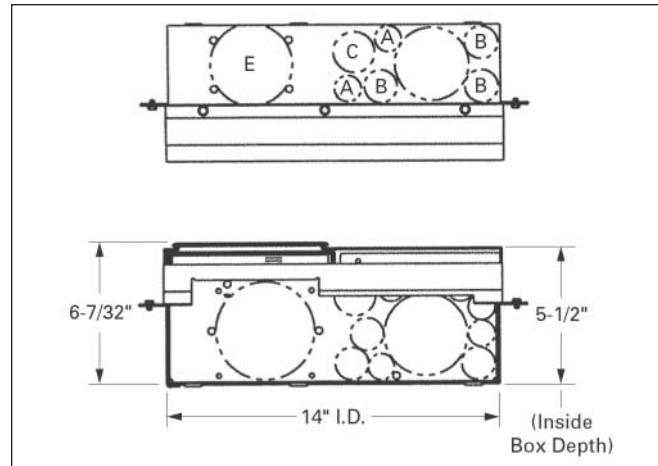


Figure 5-110. Semi-Flush Stucco Unit Knockout Configurations and Dimensions for MBE2040B200BTS, MBE2040B225BTS, MBE2040B200BTF and MBE2040B225BTF

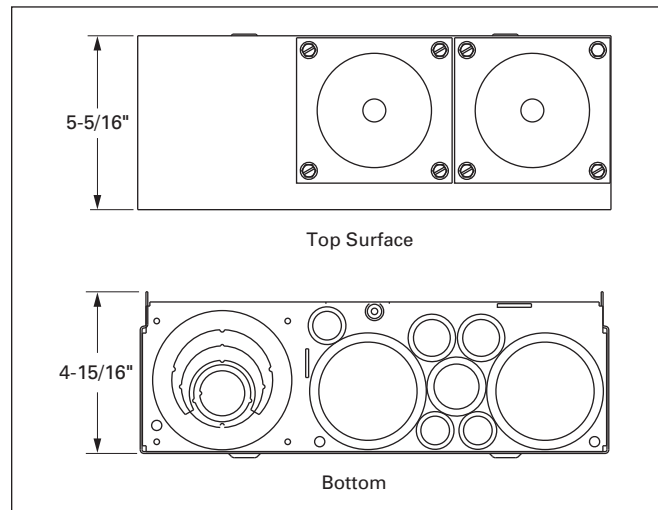


Figure 5-111. Knockout Configurations and Dimensions for Catalog Numbers MBT48B125BTS, MBT48B150BTS, MBT48B200BTS and MBT48P200BTS

Dimensions and Knockouts (Non-EUSERC Meter Breaker Design) — Dimensions in Inches (mm)

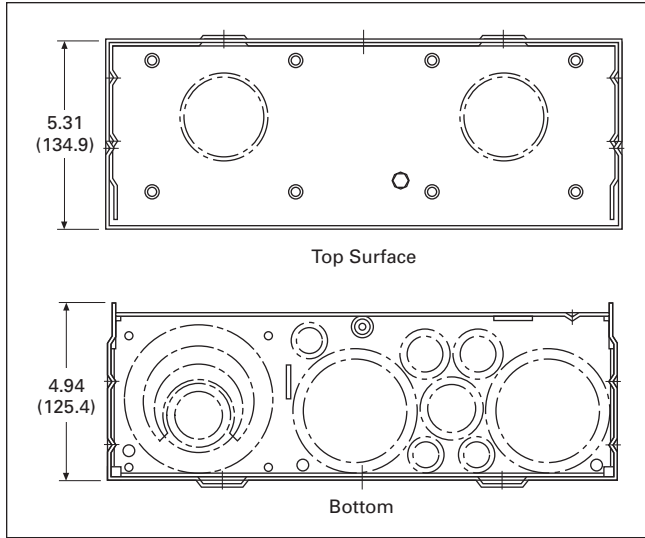


Figure 5-112. Knockouts for Non-EUSERC Units Catalog Numbers — MBB150BTS, MBB200BTS, MBP200BTS, MB816P200BTS, MB816P200BTSCU, MB816P200BTSD, MB816B200BTS, MB816B200BTSCU, MB2040P200BTS, MB2040B200BTS, MBP200BTSD, MBP200SD, MB816P200STD, MB2040B150SD, MB2040B200SD and MB2040P200SD

Table 5-74. Top Endwall (Surface)

Hub Provision Catalog Number	Price U.S. \$
DS100H2 DS125H2 DS150H2	
DS200H2 DS250H2 DS300H2 DS900AP (Adapter Plate) ①	

① Use when DS H1 Type 1, 1.25 and 1.50-inch hubs are needed.

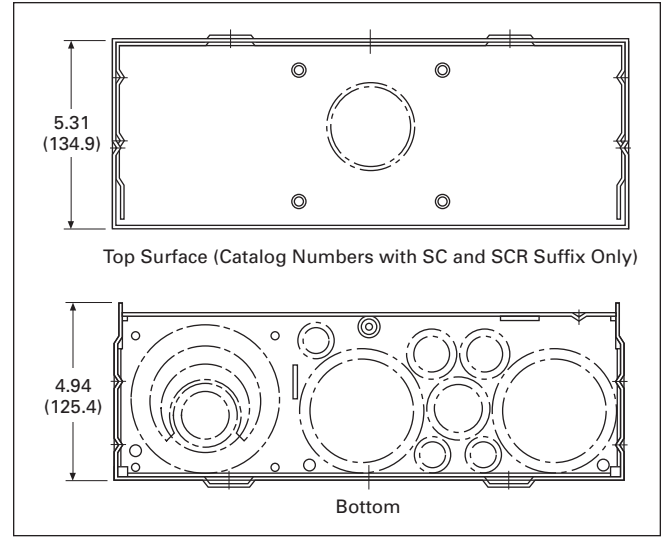


Figure 5-113. Knockouts for Non-EUSERC Units Catalog Numbers — CMB2424B200BTS, MBB150BTSCR, MBB200BTSCR, MBB150BTSC, MBB200BTSC and CMB2436B200BTS

Table 5-75. Bottom Endwall

Knockout Size Dimensions in Inches (mm)	Quantity
.31 (7.9)	3
.50 (12.7)	3
.50, .75 (12.7, 19.1)	2
.75, 1.00 (12.7, 25.4)	1
1.25, 1.50, 2.00, 2.50 (19.1, 38.1, 50.8, 63.5)	2
1.50, 2.00, 2.50, 3.00 (38.1, 50.8, 63.5, 76.2)	1

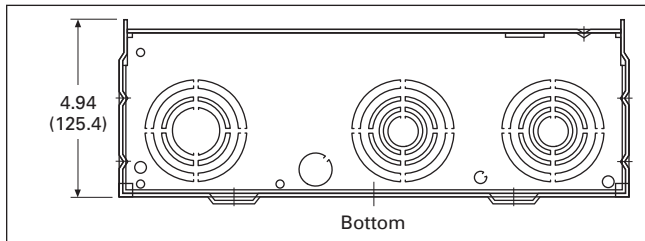


Figure 5-114. Knockouts for Non-EUSERC Units Catalog Number — CHMMB100BTS

Table 5-76. Bottom Endwall

Knockout Size Dimensions in Inches (mm)	Quantity
.31 (7.9)	1
.50 (12.7)	1
.50, .75, 1.00, 1.25, 1.50, 2.00, 2.50 (12.7, 19.1, 25.4, 31.8, 38.1, 50.8, 63.5)	2
1.00, 1.25, 1.50, 2.00, 2.50 (25.4, 31.8, 38.1, 50.8, 63.5)	1

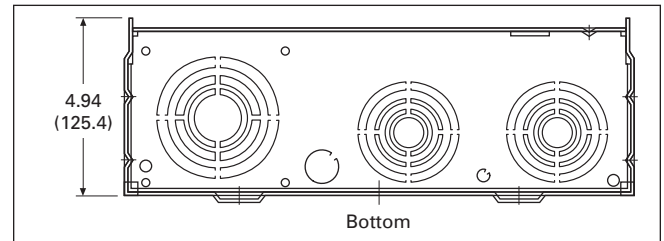


Figure 5-115. Knockouts for Non-EUSERC Units Catalog Numbers — CHMMB150BTS and CHMMB200BTS

Table 5-77. Bottom Endwall

Knockout Size Dimensions in Inches (mm)	Quantity
.31 (7.9)	1
.50 (12.7)	1
.50, .75, 1.00, 1.25, 1.50, 2.00, 2.50 (12.7, 19.1, 25.4, 31.8, 38.1, 50.8, 63.5)	2
1.00, 1.25, 1.50, 2.00, 2.50, 3.00 (25.4, 31.8, 38.1, 50.8, 63.5, 76.2)	1