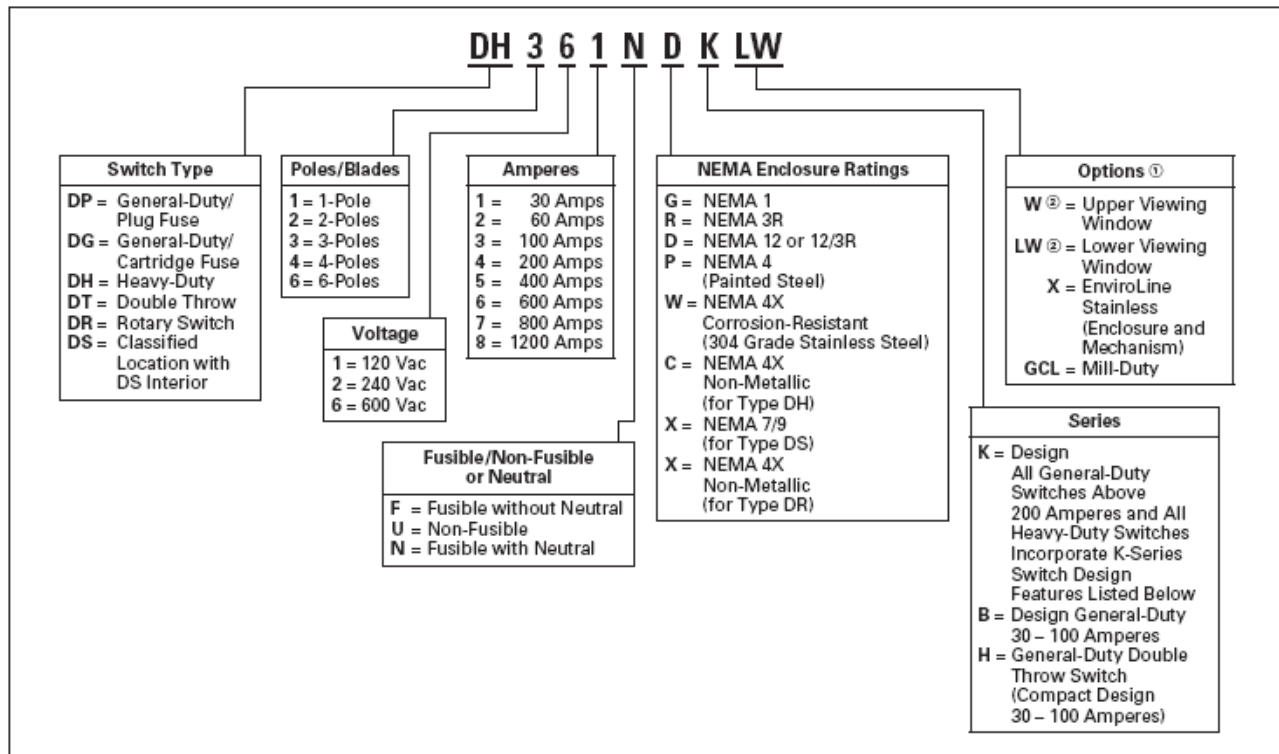


Product Selection

Product Selection

Table 8-38. Safety Switch Catalog Numbering System



① See Pages 8-8 through 8-11 for additional Flex Center options.

② Effective August 2003, 30 – 100 ampere window switches are replaced by a full view window which allows blade position verification and blown fuse indication. See Page 8-37 for catalog numbers.

Note: This table is intended for use in breaking down existing catalog numbers. It is not intended for building new catalog numbers.

Product Selection

240 Vac Heavy-Duty, Fusible, Single Throw

Specifications

- 30 – 1200 amperes.
- Horsepower rated.
- Suitable for service entrance use, except 4-pole switches.
- UL listed File No. E5239.
- For factory modifications, refer to Pages 8-8 through 8-11.



DH221NRK

Table 8-43. Fusible

System	Ampere Rating	Fuse Type Provision	Maximum Horsepower Ratings				dc 250 V	NEMA 1 Enclosure Indoor		NEMA 3R Enclosure Rainproof	
			ac					Catalog Number	Price U.S. \$	Catalog Number	Price U.S. \$
			Standard Fuse	Time Delay	Single-Phase	3-Phase					
2-Pole — 240 Vac, 250 Vdc (Suitable for Service Entrance Use with a Neutral Kit Installed)											
	30 60 100 200 400 600 800	H H — — H H L	1-1/2 — — — — — —	— — — — 50 ① 75 ① 100 ①	— — — — — — —	— — — — 125 ① 200 ① —	5 — — — 50 — — —	DH221FGK ② — ② — ② — DH225FGK DH226FGK DH227FGK	— — — — — — — — — — — —	② ② ② ② — — — — — — — —	— — — — DH225FRK DH226FRK — — — — — — — — — — —
3-Wire (Two Blades, Two Fuses, S/N) — 240 Vac, 250 Vdc											
	30 60 100 200 400 600 800	H H H H H H L	1-1/2 3 7-1/2 15 — — —	3 ③ 7-1/2 ③ 15 ③ 25 ③ 50 ③ 75 ③ 100 ③	3 10 15 15 — — —	7-1/2 ③ 15 ③ 30 ③ 60 ③ 125 ③ 200 ③ —	5 10 20 40 50 — — —	DH221NGK DH222NGK DH223NGK DH224NGK DH225NGK DH226NGK DH227NGK	— — — — — — — — — — — —	— — — — — — — — — — — —	DH221NRK DH222NRK DH223NRK DH224NRK DH225NRK DH226NRK DH227NRK
3-Pole — 240 Vac, 250 Vdc (Suitable for Service Entrance Use with a Neutral Kit Installed)											
	30 60 100 200 400 600 800 1200	H H H H H H L L	1-1/2 3 7-1/2 15 — — — —	3 7-1/2 15 25 50 75 100 —	3 10 15 15 — — — —	7-1/2 15 30 60 125 200 — —	5 10 20 40 50 — — —	DH321FGK DH322FGK DH323FGK DH324FGK DH325FGK DH326FGK DH327FGK DH328FGK	— — — — — — — — — — — —	— — — — — — — — — — — —	DH321FRK DH322FRK DH323FRK DH324FRK DH325FRK DH326FRK DH327FRK DH328FRK
4-Wire (Three Blades, Three Fuses, S/N) — 240 Vac, 250 Vdc											
	30 60 100 200 400 600 800 1200	H H H H H H L L	1-1/2 3 7-1/2 15 — — — —	3 7-1/2 15 25 50 75 100 —	3 10 15 15 — — — —	7-1/2 15 30 60 125 200 — —	5 10 20 40 50 — — —	DH321NGK DH322NGK DH323NGK DH324NGK DH325NGK DH326NGK DH327NGK DH328NGK	— — — — — — — — — — — —	— — — — — — — — — — — —	DH321NRK DH322NRK DH323NRK DH324NRK DH325NRK DH326NRK DH327NRK DH328NRK
4-Pole — 240 Vac, 250 Vdc											
	30 60 100 200 400 600	H H H H H H	3 7-1/2 15 30 50 —	3 7-1/2 15 25 50 75	10 20 30 50 — —	7-1/2 15 30 60 125 200	5 10 20 40 50 —	DH421FGK DH422FGK DH423FGK DH424FGK DH425FGK DH426FGK	— — — — — — — — — — —	④ ④ ④ ④ ④⑤ ④⑤	— — — — — — — — — — —

① Horsepower ratings apply only when neutral is field installed and switch is used on a grounded B phase system.
 ② Use 3-pole catalog numbers below.
 ③ Grounded B phase ratings, UL listed.
 ④ NEMA 12 enclosures (30 – 1200 amperes) can be field modified to meet NEMA 3R rainproof requirements when a factory provided drain hole is opened.
 ⑤ Contact the Safety Switch Flex Center (1-888-329-9272) for availability of this product.
Note: 30 ampere heavy-duty switches with Type J fuse provisions are available from the factory only. See Table 8-15 on Page 8-10 for catalog numbers.

Product Selection



DH322FWK

Table 8-43. Fusible (Continued)

Ampere Rating	NEMA 12 Enclosure Industrial, Dust-tight		NEMA 4 Enclosure Watertight, Painted Steel		NEMA 4X Enclosure Corrosion-Resistant, Stainless Steel		NEMA 4X Enclosure Corrosion-Resistant, Non-Metallic	
	Catalog Number	Price U.S. \$	Catalog Number	Price U.S. \$	Catalog Number	Price U.S. \$	Catalog Number	Price U.S. \$
2-Pole — 240 Vac, 250 Vdc (Suitable for Service Entrance Use with a Neutral Kit Installed)								
30	⑥		—		⑥		⑥	
60	⑥		—		⑥ or ⑦		⑥	
100	⑥		—		⑦		⑥	
200	⑥		—		⑦		⑥	
400	DH225FDK ⑧		DH225FPK		⑦		—	
600	DH226FDK ⑧		DH226FPK		⑦		—	
800	DH227FDK ⑧		—		⑦		—	
3-Wire (Two Blades, Two Fuses, S/N) — 240 Vac, 250 Vdc								
30	DH221NDK ⑧		—		DH221NWK		⑨	
60	DH222NDK ⑧		—		DH222NWK		⑨	
100	DH223NDK ⑧		—		DH223NWK		⑨	
200	DH224NDK ⑧		—		DH224NWK		⑨	
400	DH225NDK ⑧		DH225NPK		DH225NWK		—	
600	DH226NDK ⑧		DH226NPK		DH226NWK		—	
800	DH227NDK ⑧		DH227NPK		DH227NWK		—	
3-Pole — 240 Vac, 250 Vdc (Suitable for Service Entrance Use with a Neutral Kit Installed)								
30	DH321FDK ⑧		—		DH321FWK		⑩	
60	DH322FDK ⑧		—		DH322FWK		⑩	
100	DH323FDK ⑧		—		⑦		⑩	
200	DH324FDK ⑧		—		DH324FWK		⑩	
400	DH325FDK ⑧		DH325FPK		DH325FWK		—	
600	DH326FDK ⑧		DH326FPK		DH326FWK		—	
800	DH327FDK ⑧		DH327FPK		DH327FWK		—	
1200	DH328FDK ⑧		—		DH328FWK		—	
4-Wire (Three Blades, Three Fuses, S/N) — 240 Vac, 250 Vdc								
30	DH321NDK ⑧		—		DH321NWK		⑩	
60	DH322NDK ⑧		—		DH322NWK		⑩	
100	DH323NDK ⑧		—		DH323NWK		⑩	
200	DH324NDK ⑧		—		DH324NWK		⑩	
400	DH325NDK ⑧		DH325NPK		DH325NWK		—	
600	DH326NDK ⑧		DH326NPK		DH326NWK		—	
800	⑦⑧		—		⑦		—	
1200	DH328NDK ⑧		—		DH328NWK		—	
4-Pole — 240 Vac, 250 Vdc								
30	DH421FDK ⑧		—		⑦		—	
60	DH422FDK ⑧		—		⑦		—	
100	DH423FDK ⑧		—		⑦		—	
200	DH424FDK ⑧		—		⑦		—	
400	⑦⑧		—		⑦		—	
600	⑦⑧		—		⑦		—	

⑥ Use 3-pole catalog numbers below.
 ⑦ Contact the Safety Switch Flex Center (1-888-329-9272) for availability of this product.
 ⑧ NEMA 12 enclosures (30 – 1200 amperes) can be field modified to meet NEMA 3R rainproof requirements when a factory provided drain hole is opened.
 ⑨ Use 4-wire catalog numbers below.
 ⑩ Refer to EnviroLine Non-Metallic Safety Switches on **Page 8-41**.

Product Selection

600 Vac Heavy-Duty, Fusible, Single Throw

Specifications

- 30 – 1200 amperes.
- Horsepower rated.
- Suitable for service entrance use, except 1200 ampere on 480Y/277 or 600Y/347 grounded wye systems, per NEC 215-10 and 230-95, and 4-pole switches.
- UL listed File No. E5239.
- For factory modifications, refer to Pages 8-8 through 8-11.



DH362NRK

Table 8-44. Fusible 277/480 – 600 Volts

System	Ampere Rating	Fuse Class Provision	Maximum Horsepower Ratings with Time Delay Fuses						NEMA 1 Enclosure Indoor		NEMA 3R Enclosure Rainproof	
			Single-Phase ac		3-Phase ac		dc		Catalog Number	Price U.S. \$	Catalog Number	Price U.S. \$
			480 Volt	600 Volt	480 Volt	600 Volt	250 Volt	600 Volt				
2-Pole — 480 Vac— 600 Vac or dc ① (Suitable for Service Entrance Use with a Neutral Kit Installed)												
	30	H	7-1/2	10	—	—	—	15	DH261FGK	②	DH261FRK	—
	60	H	20	25	—	—	—	25	DH262FGK		DH262FRK	
	100	H	30	40	—	—	—	20	DH263FGK		DH263FRK	
	200	H	50	50	—	—	—	50	DH264FGK		DH264FRK	
	400	H	—	—	—	—	50	—	DH265FGK		DH265FRK	
	600	H	—	—	—	—	—	—	DH266FGK		DH266FRK	
	1200	L	—	—	—	—	—	—	DH267FGK		DH267FRK	
3-Pole — 480 Vac— 600 Vac, 250 Vdc (Suitable for Service Entrance Use with a Neutral Kit Installed)												
	30	H	7-1/2	10	15	20	—	—	DH361FGK	—	DH361FRK	—
	60	H	20	25	30	50	—	—	DH362FGK		DH362FRK	
	100	H	30	40	60	75	—	—	DH363FGK		DH363FRK	
	200	H	50	50	125	150	—	—	DH364FGK		DH364FRK	
	400	H	—	—	250	350	—	—	DH365FGK		DH365FRK	
	600	H	—	—	400	500	—	—	DH366FGK		DH366FRK	
	1200	L	—	—	500	500	—	—	DH367FGK		DH367FRK	
4-Wire (Three Blades, 3-Fuses, S/N) 480 Vac— 600 Vac, 250 Vdc												
	30	H	7-1/2	10	15	20	—	—	DH361NGK	—	DH361NRK	—
	60	H	20	25	30	50	—	—	DH362NGK		DH362NRK	
	100	H	30	40	60	75	—	—	DH363NGK		DH363NRK	
	200	H	50	50	125	150	—	—	DH364NGK		DH364NRK	
	400	H	—	—	250	350	—	—	DH365NGK		DH365NRK	
	600	H	—	—	400	500	—	—	DH366NGK		DH366NRK	
	1200	L	—	—	500	500	—	—	DH367NGK		DH367NRK	
4-Pole — 480 Vac— 600 Vac, 250 Vdc												
	30	H	20	25	15	20	—	—	DH461FGK	—	③	—
	60	H	40	50	30	50	—	—	DH462FGK		③	
	100	H	50	50	60	75	—	—	DH463FGK		③	
	200	H	—	—	125	150	40	—	DH464FGK		③	
	400	H	—	—	250	350	50	—	DH465FGK		②,③	
	600	H	—	—	400	500	—	—	DH466FGK		②,③	
	800	L	—	—	—	—	—	—	②		②,③	

① dc rating for 400 – 800 ampere switches is 250 volts.

② Contact the Safety Switch Flex Center (1-888-329-9272) for availability of this product.

③ NEMA 12 enclosures (30 – 1200 amperes) can be field modified to meet NEMA 3R rainproof requirements when a factory provided drain hole is opened.

Note: 30 ampere heavy-duty switches with Type J fuse provisions are available from the factory only. See Table 8-15 on Page 8-10 for catalog numbers.

Product Selection



DH361NDK

Table 8-44. Fusible 277/480 – 600 Volts (Continued)

Ampere Rating	NEMA 12 Enclosure Industrial, Dust-tight		NEMA 4 Enclosure Watertight, Painted Steel		NEMA 4X Enclosure Corrosion-Resistant, Stainless Steel		NEMA 4X Enclosure Corrosion-Resistant, Non-Metallic	
	Catalog Number	Price U.S. \$	Catalog Number	Price U.S. \$	Catalog Number	Price U.S. \$	Catalog Number	Price U.S. \$
2-Pole — 480 Vac — 600 Vac or dc ^④ (Suitable for Service Entrance Use with a Neutral Kit Installed)								
30	DH261FDK ^⑤		—		DH261FWK		⑥ or ⑦	
60	DH262FDK ^⑤		—		⑥ or ⑦		⑥ or ⑦	
100	DH263FDK ^⑤		—		⑥ or ⑦		⑥ or ⑦	
200	DH264FDK ^⑤		—		DH264FWK		⑥ or ⑦	
400	DH265FDK ^⑤		⑥		⑥ or ⑦		—	
600	DH266FDK ^⑤		⑥		⑥ or ⑦		—	
800	DH267FDK ^⑤		⑥		⑥ or ⑦		—	
1200	⑦		—		⑦		—	
3-Pole — 480 Vac — 600 Vac, 250 Vdc (Suitable for Service Entrance Use with a Neutral Kit Installed)								
30	DH361FDK ^⑤		—		DH361FWK		⑧	
60	DH362FDK ^⑤		—		DH362FWK		⑧	
100	DH363FDK ^⑤		—		DH363FWK		⑧	
200	DH364FDK ^⑤		—		DH364FWK		⑧	
400	DH365FDK ^⑤		DH365FPK		DH365FWK		—	
600	DH366FDK ^⑤		DH366FPK		DH366FWK		—	
800	DH367FDK ^⑤		DH367FPK		DH367FWK		—	
1200	DH368FDK		—		DH368FWK		—	
4-Wire (Three Blades, 3-Fuses, S/N) 480 Vac — 600 Vac, 250 Vdc								
30	DH361NDK ^⑤		—		DH361NWK		⑧	
60	DH362NDK ^⑤		—		DH362NWK		⑧	
100	DH363NDK ^⑤		—		DH363NWK		⑧	
200	DH364NDK ^⑤		—		DH364NWK		⑧	
400	DH365NDK ^⑤		DH365NPK		DH365NWK		—	
600	DH366NDK ^⑤		DH366NPK		DH366NWK		—	
800	⑤⑦		—		⑦		—	
1200	DH368NDK		—		DH368NWK		—	
4-Pole — 480 Vac — 600 Vac, 250 Vdc								
30	⑤⑦		—		⑦		—	
60	⑤⑦		—		⑦		—	
100	DH463FDK ^⑤		—		⑦		—	
200	DH464FDK ^⑤		—		⑦		—	
400	⑤⑦		—		⑦		—	
600	⑤⑦		—		⑦		—	
800	⑤⑦		—		⑦		—	

④ dc rating for 400 – 800 ampere switches is 250 volts.
 ⑤ NEMA 12 enclosures (30 – 1200 amperes) can be field modified to meet NEMA 3R rainproof requirements when a factory provided drain hole is opened.
 ⑥ Use 3-pole catalog numbers below for 600 Vac, 250 Vdc maximum applications. For 600 Vdc, see note ⑦.
 ⑦ Contact the Safety Switch Flex Center (1-888-329-9272) for availability of this product.
 ⑧ Refer to EnviroLine Non-Metallic Safety Switches on Page 8-41.

Product Selection

600 Vac Heavy-Duty, Non-Fusible, Single Throw

Specifications

- 30 – 1200 amperes.
- Horsepower rated.
- Suitable for service entrance use, except 1200 ampere on 480Y/277 or 600Y/347 grounded wye systems, per NEC 215-10 and 230-95, and 4-pole switches.
- UL listed File No. E5239.
- For factory modifications, refer to Pages 8-8 through 8-11.



DH362UGK

Table 8-45. Non-Fusible 277/480 – 600 Volts

System	Ampere Rating	Maximum Horsepower Ratings								NEMA 1 Enclosure Indoor		NEMA 3R Enclosure Rainproof	
		Single-Phase ac			3-Phase ac			dc		Catalog Number	Price U.S. \$	Catalog Number	Price U.S. \$
		240 Volt	480 Volt	600 Volt	240 Volt	480 Volt	600 Volt	250 Volt	600 Volt				
2-Pole — 480 Vac — 600 Vac or dc ^① (Suitable for Service Entrance Use with a Neutral Kit Installed)													
	30	3	7-1/2	10	—	—	—	—	15	DH261UGK		DH261URK	
	60	10	20	25	—	—	—	25	DH262UGK		DH262URK		
	100	20	30	40	—	—	—	20	DH263UGK		DH263URK		
	200	15	50	50	—	—	—	50	DH264UGK		DH264URK		
	400	—	—	—	—	—	—	50	DH265UGK		DH265URK		
	600	—	—	—	—	—	—	—	DH266UGK		DH266URK		
	800	—	—	—	—	—	—	—	DH267UGK		DH267URK		
	1200	—	—	—	—	—	—	—	②		—		
3-Pole — 480 Vac — 600 Vac, 250 Vdc (Suitable for Service Entrance Use with a Neutral Kit Installed)													
	30	3	7-1/2	10	10	20	30	5	—	DH361UGK		DH361URK	
	60	10	20	25	20	50	60	10	—	DH362UGK		DH362URK	
	100	20	40	50	40	75	100	20	—	DH363UGK		DH363URK	
	200	15	50	50	60	125	150	40	—	DH364UGK		DH364URK	
	400	—	—	—	125	250	350	50	—	DH365UGK		DH365URK	
	600	—	—	—	200	400	500	—	—	DH366UGK		DH366URK	
	800	—	—	—	—	500	500	—	—	DH367UGK		DH367URK	
	1200	—	—	—	—	500	500	—	—	DH368UGK		DH368URK	
4-Pole — 480 Vac — 600 Vac, 250 Vdc													
	30	10	20	25	10	20	30	5	—	DH461UGK		③	
	60	20	40	50	20	50	60	10	—	DH462UGK		③	
	100	40	50	50	40	75	100	20	—	DH463UGK		③	
	200	50	50	50	60	125	150	40	—	DH464UGK		③	
	400	50	—	—	125	250	350	50	—	DH465UGK		②③	
	600	—	—	—	200	400	500	—	—	DH466UGK		②③	
	800	—	—	—	—	—	—	—	—	②		②③	

① dc rating for 400 – 800 ampere switches is 250 volts.

② Contact the Safety Switch Flex Center (1-888-329-9272) for availability of this product.

③ NEMA 12 enclosures (30 – 1200 amperes) can be field modified to meet NEMA 3R rainproof requirements when a factory provided drain hole is opened.

Product Selection



DH361UWK

Table 8-45. Non-Fusible 277/480 – 600 Volts (Continued)

Ampere Rating	NEMA 12 Enclosure Industrial, Dust-tight		NEMA 4 Enclosure Watertight, Painted Steel		NEMA 4X Enclosure Corrosion-Resistant, Stainless Steel		NEMA 4X Enclosure Corrosion-Resistant, Non-Metallic	
	Catalog Number	Price U.S. \$	Catalog Number	Price U.S. \$	Catalog Number	Price U.S. \$	Catalog Number	Price U.S. \$
2-Pole — 480 Vac — 600 Vac or dc ^④ (Suitable for Service Entrance Use with a Neutral Kit Installed)								
30	DH261UDK ^⑤	—	—	—	⑥ or ⑦	—	⑥ or ⑦	—
60	DH262UDK ^⑤	—	—	—	⑥ or ⑦	—	⑥ or ⑦	—
100	DH263UDK ^⑤	—	—	—	⑥ or ⑦	—	⑥ or ⑦	—
200	DH264UDK ^⑤	—	—	—	⑥ or ⑦	—	⑥ or ⑦	—
400	DH265UDK ^⑤	—	⑥	—	⑥ or ⑦	—	—	—
600	DH266UDK ^⑤	—	⑥	—	⑥ or ⑦	—	—	—
800	DH267UDK ^⑤	—	⑥	—	⑥ or ⑦	—	—	—
1200	⑦	—	—	—	⑦	—	—	—
3-Pole — 480 Vac — 600 Vac, 250 Vdc (Suitable for Service Entrance Use with a Neutral Kit Installed)								
30	DH361UDK ^⑤	—	—	—	DH361UWK	—	⑧	—
60	DH362UDK ^⑤	—	—	—	DH362UWK	—	⑧	—
100	DH363UDK ^⑤	—	—	—	DH363UWK	—	⑧	—
200	DH364UDK ^⑤	—	—	—	DH364UWK	—	⑧	—
400	DH365UDK ^⑤	—	DH365UPK	—	DH365UWK	—	—	—
600	DH366UDK ^⑤	—	DH366UPK	—	DH366UWK	—	—	—
800	DH367UDK ^⑤	—	DH367UPK	—	DH367UWK	—	—	—
1200	DH368UDK	—	—	—	DH368UWK	—	—	—
4-Pole — 480 Vac — 600 Vac, 250 Vdc								
30	DH461UDK ^⑤	—	—	—	DH461UWK	—	—	—
60	DH462UDK ^⑤	—	—	—	⑦	—	—	—
100	DH463UDK ^⑤	—	—	—	⑦	—	—	—
200	DH464UDK ^⑤	—	—	—	⑦	—	—	—
400	⑥⑦	—	—	—	⑦	—	—	—
600	⑥⑦	—	—	—	⑦	—	—	—
800	⑥⑦	—	—	—	⑦	—	—	—

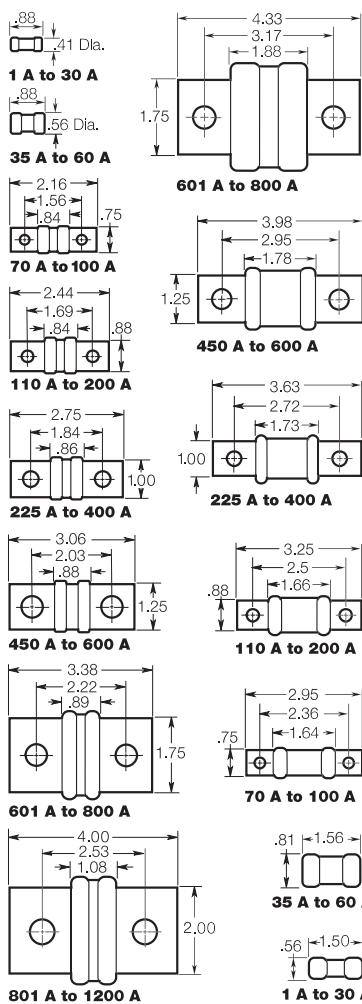
④ dc rating for 400 – 800 ampere switches is 250 volts.
 ⑤ NEMA 12 enclosures (30 – 1200 amperes) can be field modified to meet NEMA 3R rainproof requirements when a factory provided drain hole is opened.
 ⑥ Use 3-pole catalog numbers below for 600 Vac, 250 Vdc maximum applications. For 600 Vdc, see note ⑦.
 ⑦ Contact the Safety Switch Flex Center (1-888-329-9272) for availability of this product.
 ⑧ Refer to EnviroLine Non-Metallic Safety Switches on **Page 8-43**.

Typical Fuse Dimensions

Class T

T-Tron™ Fuses

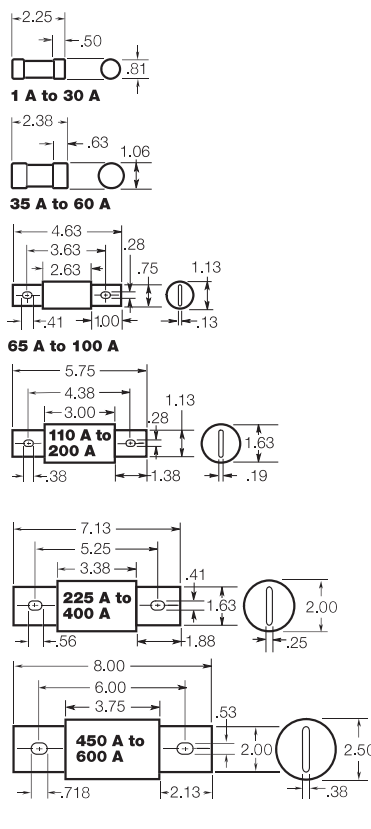
JJN (300 V) JJS (600 V)



Class J

Low-Peak® and Limitron® Fuses

LPJ & JKS (600 V)

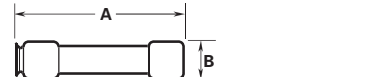


Class RK5 and RK1

Fusetron®, Low-Peak and

Limitron Fuses (250 and 600 V)
FRN-R and FRS-R; LPN-RK
and LPS-RK; KTN-R and KTS-R
Basic dimensions are same as Class H
(formerly NEC) ONE-TIME (NON and NOS)
and SUPERLAG Renewable RES and
REN fuses.

Note: These fuses can be used to replace
existing Class H, RK1 and RK5 fuses relating
to dimensional compatibility.



Ampere	250 V		600 V	
	A	B	A	B
1/10 – 30	2.00	.56	5.00	.81
35 – 60	3.00	.81	5.50	1.06



Fusetron and Limitron

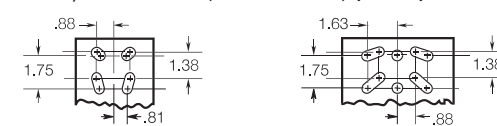
Ampere	250 V		600 V	
	A	B	A	B
70 – 100	5.88	1.06	7.88	1.34
110 – 200	7.13	1.56	9.63	1.84
225 – 400	8.63	2.06	11.63	2.59
450 – 600	10.38	2.59	13.38	3.13

Low-Peak

Ampere	250 V		600 V	
	A	B	A	B
70 – 100	5.88	1.16	7.88	1.16
110 – 200	7.13	1.66	9.63	1.66
225 – 400	8.63	2.38	11.63	2.38
450 – 600	10.38	2.88	13.38	2.88

Class L Low-Peak and Limitron Fuses

KRP-C, KTU & KLU (601 – 4000 A) (600 V)



Note: KRP-CL (150 A to 600 A) fuses
have same dimensions as 601 A to
800 A case size. KTU (200 A to 600 A)
have same dimensions, except tube
3-inch lgth. x 2-inch dia.; terminal
1.63-inch width x 1.25-inch thick.

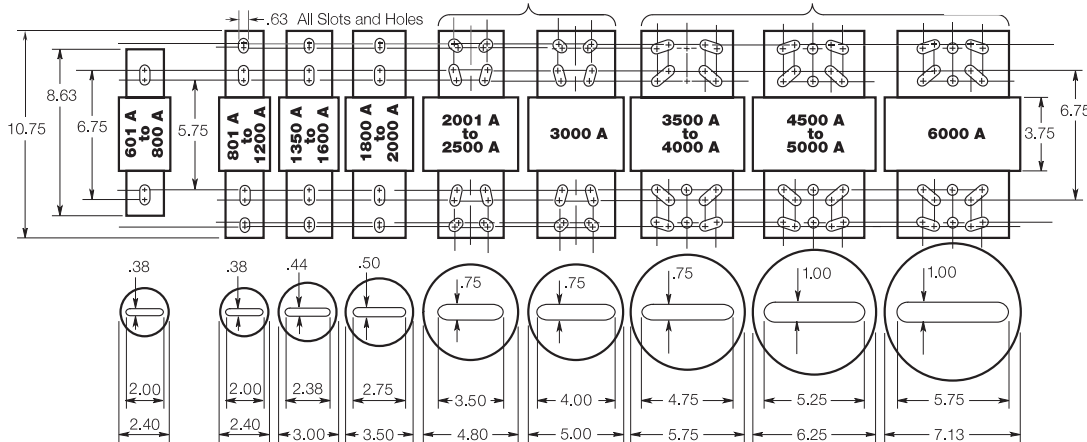
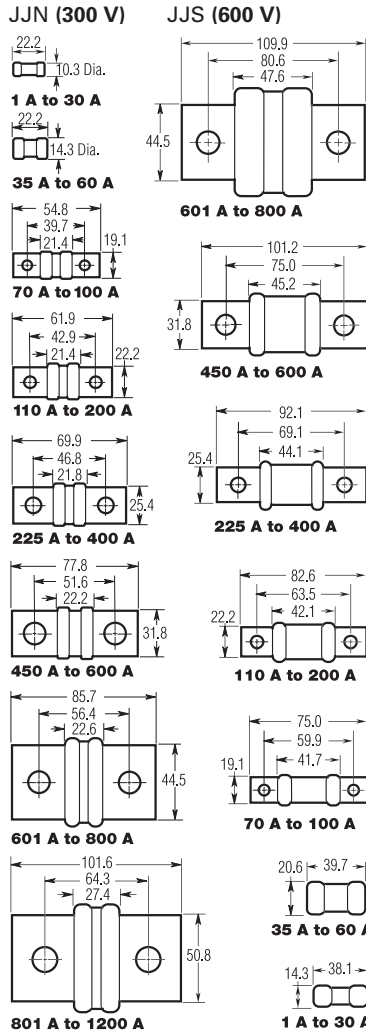


Figure 8-8. Typical Fuse Dimensions in Inches

Note: For typical fuse dimensions in millimeters, see Figure 8-9 on Page 8-23.

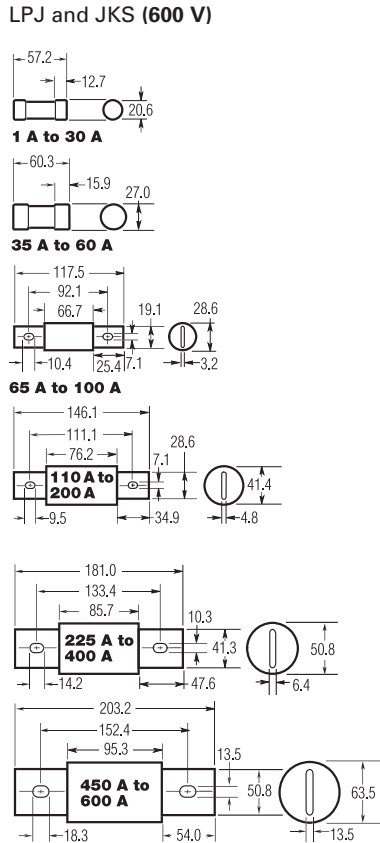
Class T

T-Tron Fuses



Class J

Low-Peak and Limitron Fuses



Class RK5 and RK1

Fusetron, Low-Peak and

Limitron Fuses (250 and 600 V)
FRN-R and FRS-R; LPN-RK and LPS-RK; KTN-R and KTS-R
Basic dimensions are same as Class H (formerly NEC ONE-TIME (NON and NOS) and SUPERLAG Renewable RES and REN fuses.

Note: These fuses can be used to replace existing Class H, RK1 and RK5 fuses relating to dimensional compatibility.

Ampere	250 V		600 V	
	A	B	A	B
1/10 - 30	50.8	14.3	127.0	20.6
35 - 60	76.2	20.6	139.7	27.0

Fusetron and Limitron

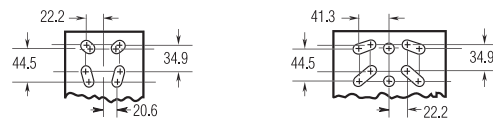
Ampere	250 V		600 V	
	A	B	A	B
70 - 100	149.2	26.9	200.0	34.0
110 - 200	181.0	39.6	244.5	46.7
225 - 400	219.1	52.3	295.3	65.8
450 - 600	263.5	65.8	339.7	79.5

Low-Peak

Ampere	250 V		600 V	
	A	B	A	B
70 - 100	149.2	29.5	200.0	29.5
110 - 200	181.0	42.2	244.5	42.2
225 - 400	219.1	60.5	295.3	60.5
450 - 600	263.5	73.2	339.7	73.2

Class L Low-Peak and Limitron Fuses

KRP-C, KTU and KLU (601 - 4000 A) (600 V)



Note: KRP-CL (150 A to 600 A) fuses have same dimensions as 601 A to 800 A case size. KTU (200 A to 600 A) have same dimensions, except tube 76.2 mm lgth. x 50.8 mm dia.; terminal 41.3 mm width x 31.8 mm thick.

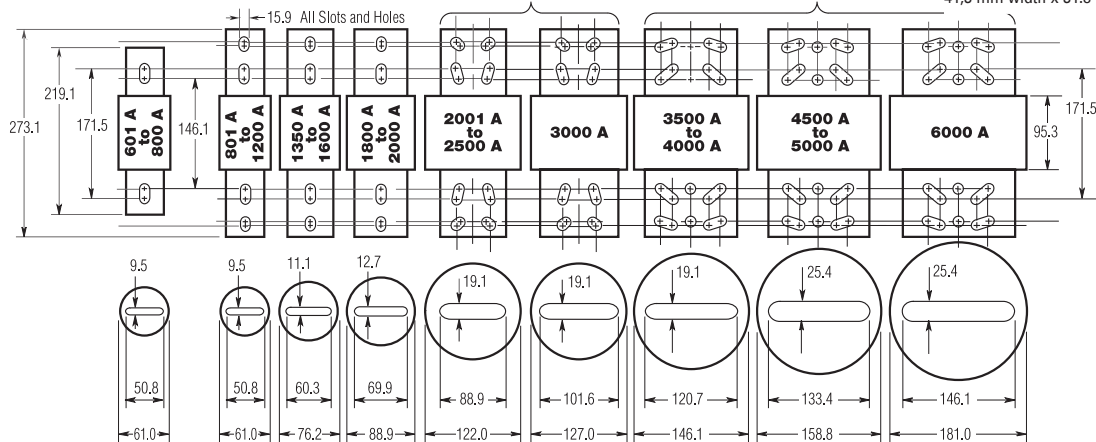


Figure 8-9. Typical Fuse Dimensions in Millimeters

Note: For typical fuse dimensions in inches, see **Figure 8-8** on **Page 8-22**.

Dimensions

Note: Dimensions are for estimating purposes only.

Table 8-31. Heavy-Duty, Non-Fusible, 600 Volt, 3-Pole, Single Throw

Ampere Rating	NEMA 1, 3R					NEMA 12, 4X Stainless Steel, 4				
	Dimensions in Inches (mm)				Weight Lbs (kg)	Dimensions in Inches (mm)				Weight Lbs (kg)
	Width (W)	Height (H)	Depth (D)	Depth (D2)		Width (W)	Height (H)	Depth (D)	Depth (D2)	
30	8.13 (206.5)	15.88 (403.4)	10.00 (254.0)	5.25 (133.3)	16 (7.264)	8.13 (206.5)	12.13 (308.1)	10.00 (254.0)	5.50 (139.7)	17 (7.718)
60	8.13 (206.5)	15.88 (403.4)	10.00 (254.0)	5.25 (133.3)	16 (7.264)	8.13 (206.5)	12.13 (308.1)	10.00 (254.0)	5.50 (139.7)	17 (7.718)
100	11.13 (282.7)	21.69 (550.9)	10.00 (254.0)	5.25 (133.3)	22 (9.988)	11.13 (282.7)	24.00 (609.6)	10.25 (260.4)	5.50 (139.7)	28 (12.712)
200	16.00 (406.4)	27.63 (701.8)	11.25 (285.8)	6.14 (156.0)	46 (20.884)	16.00 (406.4)	34.38 (873.3)	11.50 (292.1)	6.44 (163.6)	55 (24.97)
400	23.00 (584.2)	45.19 (1147.8)	12.63 (320.8)	7.27 (184.7)	110 (49.94)	23.00 (584.2)	57.63 (1463.8)	12.63 (320.8)	7.19 (182.6)	125 (56.75)
600	24.00 (609.6)	52.70 (1338.6)	14.25 (362.0)	8.95 (227.3)	135 (61.29)	24.00 (609.6)	63.00 (1600.2)	14.25 (362.0)	8.88 (225.6)	167 (75.818)
800	25.38 (644.7)	56.69 (1439.9)	14.25 (362.0)	8.95 (227.3)	158 (71.732)	25.38 (644.7)	71.75 (1822.5)	14.25 (362.0)	8.88 (225.6)	175 (79.45)
1200	41.47 (1053.3)	70.31 (1785.9)	19.94 (506.5)	12.44 (316.0)	430 (195.22)	41.47 (1053.3)	70.31 (1785.9)	19.94 (506.5)	13.51 (343.2)	475 (215.65)

Table 8-32. Heavy-Duty, Fusible, 240 Volt and 600 Volt, 3-Pole Solid Neutral, Single Throw

Ampere Rating	NEMA 1, 3R					NEMA 12, 4X Stainless Steel, 4				
	Dimensions in Inches (mm)				Weight Lbs (kg)	Dimensions in Inches (mm)				Weight Lbs (kg)
	Width (W)	Height (H)	Depth (D)	Depth (D2)		Width (W)	Height (H)	Depth (D)	Depth (D2)	
30	8.13 (206.5)	15.88 (403.4)	10.00 (254.0)	5.25 (133.3)	20 (9.08)	8.13 (206.5)	17.88 (454.2)	10.00 (254.0)	5.50 (139.7)	22 (9.988)
60	8.13 (206.5)	15.88 (403.4)	10.00 (254.0)	5.25 (133.3)	20 (9.08)	8.13 (206.5)	17.88 (454.2)	10.00 (254.0)	5.50 (139.7)	22 (9.988)
100	11.13 (282.7)	21.69 (550.9)	10.00 (254.0)	5.25 (133.3)	27 (12.258)	11.13 (282.7)	24.00 (609.6)	10.25 (260.4)	5.50 (139.7)	30 (13.62)
200	16.00 (406.4)	27.63 (701.8)	11.25 (285.8)	6.14 (156.0)	52 (23.608)	16.00 (406.4)	34.38 (873.3)	11.50 (292.1)	6.44 (163.6)	61 (27.694)
400	23.00 (584.2)	45.19 (1147.8)	12.63 (320.8)	7.27 (184.7)	120 (54.48)	23.00 (584.2)	57.63 (1463.8)	12.63 (320.8)	7.19 (182.6)	135 (61.29)
600	24.00 (609.6)	52.70 (1338.6)	14.25 (362.0)	8.95 (227.3)	153 (69.462)	24.00 (609.6)	63.00 (1600.2)	14.25 (362.0)	8.88 (225.6)	203 (92.162)
800	25.38 (644.7)	56.69 (1439.9)	14.25 (362.0)	8.95 (227.3)	168 (76.272)	25.38 (644.7)	71.75 (1822.5)	14.25 (362.0)	8.88 (225.6)	213 (96.702)
1200	41.47 (1053.3)	70.31 (1785.9)	19.94 (506.5)	12.44 (316.0)	465 (211.11)	41.47 (1053.3)	70.31 (1785.9)	19.94 (506.5)	13.51 (343.2)	510 (231.54)

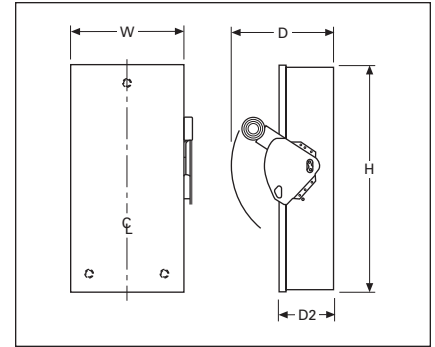


Figure 8-4. NEMA 1-3R Heavy-Duty 30 – 1200 Amperes

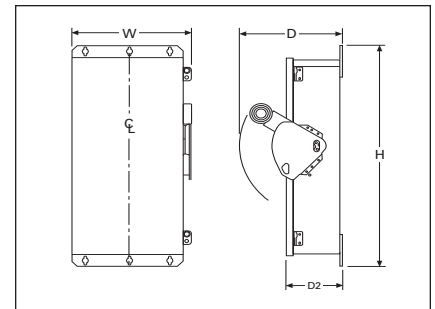


Figure 8-5. NEMA 4, 4X and 12 Heavy-Duty 30 – 1200 Amperes

Technical Data and Specifications

Dimensions

Note: Dimensions are for estimating purposes only.

Table 8-33. Heavy-Duty, Non-Fusible, 240 Volt and 600 Volt, 3-Pole, Double Throw

Ampere Rating	NEMA 1, 3R					NEMA 12, 4X Stainless Steel				
	Dimensions in Inches (mm)				Weight Lbs (kg)	Dimensions in Inches (mm)				Weight Lbs (kg)
	Width (W)	Height (H)	Depth (D)	Depth (D2)		Width (W)	Height (H)	Depth (D)	Depth (D2)	
30	11.94 (303.3)	24.63 (625.6)	9.88 (251.0)	5.38 (136.7)	34 (15.436)	12.00 (304.8)	25.88 (657.4)	10.25 (260.4)	5.50 (139.7)	60 (27.24)
60	11.94 (303.3)	24.63 (625.6)	9.88 (251.0)	5.38 (136.7)	34 (15.436)	12.00 (304.8)	25.88 (657.4)	10.25 (260.4)	5.50 (139.7)	60 (27.24)
100	11.94 (303.3)	24.63 (625.6)	9.88 (251.0)	5.38 (136.7)	34 (15.436)	12.00 (304.8)	25.88 (657.4)	10.25 (260.4)	5.50 (139.7)	60 (27.24)
200	19.56 (496.8)	37.38 (949.5)	11.25 (285.8)	6.10 (154.9)	80 (36.32)	19.50 (495.3)	41.00 (1041.4)	11.63 (295.4)	6.48 (164.6)	105 (47.67)
400	23.13 (587.5)	53.81 (1366.8)	12.50 (317.5)	7.25 (184.2)	140 (63.56)	23.00 (584.2)	57.50 (1460.5)	12.50 (317.5)	7.25 (184.2)	185 (83.99)
600	24.13 (612.9)	63.31 (1608.1)	14.13 (358.9)	8.88 (225.6)	175 (79.45)	—	—	—	—	—
800	24.13 (612.9)	63.31 (1608.1)	14.13 (358.9)	8.88 (225.6)	175 (79.45)	—	—	—	—	—

Table 8-34. Heavy-Duty, Fusible, 240 Volt and 600 Volt, 3-Pole, Double Throw

Ampere Rating	NEMA 1, 3R					NEMA 12, 4X Stainless Steel				
	Dimensions in Inches (mm)				Weight Lbs (kg)	Dimensions in Inches (mm)				Weight Lbs (kg)
	Width (W)	Height (H)	Depth (D)	Depth (D2)		Width (W)	Height (H)	Depth (D)	Depth (D2)	
30	11.94 (303.3)	36.63 (930.4)	9.88 (251.0)	5.38 (136.7)	44 (19.976)	12.00 (304.8)	39.81 (1011.2)	10.25 (260.4)	5.50 (139.7)	45 (20.43)
60	11.94 (303.3)	36.63 (930.4)	9.88 (251.0)	5.38 (136.7)	44 (19.976)	12.00 (304.8)	39.81 (1011.2)	10.25 (260.4)	5.50 (139.7)	45 (20.43)
100	11.94 (303.3)	36.63 (930.4)	9.88 (251.0)	5.38 (136.7)	44 (19.976)	12.00 (304.8)	39.81 (1011.2)	10.25 (260.4)	5.50 (139.7)	45 (20.43)
200	19.56 (496.8)	50.88 (1292.4)	11.25 (285.8)	6.10 (154.9)	95 (43.13)	19.56 (496.8)	55.63 (1413.0)	11.63 (295.4)	6.46 (164.1)	100 (45.4)
400	25.38 (644.7)	74.75 (1898.7)	14.13 (358.9)	8.88 (225.6)	230 (104.42)	25.38 (644.7)	74.75 (1898.7)	14.13 (358.9)	8.92 (226.6)	260 (118.04)
600	27.44 (697.0)	86.13 (2187.7)	14.13 (358.9)	8.88 (225.6)	320 (145.28)	—	—	—	—	—

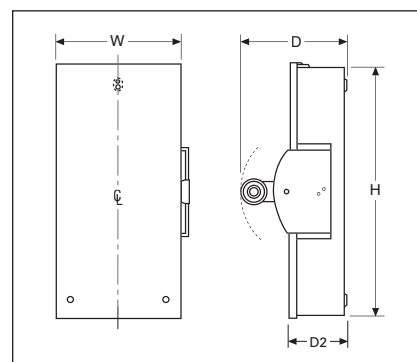


Figure 8-6. NEMA 1-3R Double Throw
30 – 800 Amperes

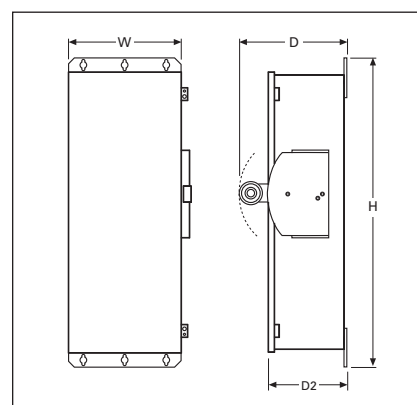


Figure 8-7. NEMA 12-4X Double Throw
30 – 400 Amperes