



## Miniature Lungen™ Buzzer

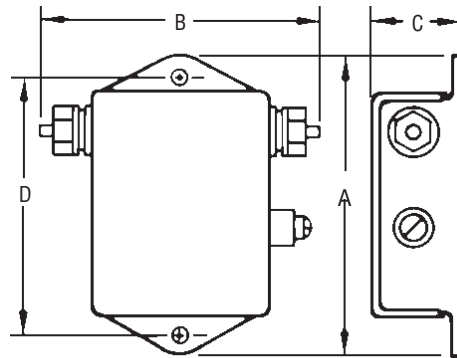
### AC and DC Models

### 15 Series

#### FEATURES

- > Adjustable volume
- > Chrome cover; zinc plated base

Compact, dependable buzzer designed for long life and trouble-free installations. For installation in commercial buildings, offices, and OEM applications.



Cat No.	Volts	Amps	VA	DC Coil Res (ohms)	dB at 1m / 10 ft.	Dimension			
						A	B	C	D
15-0AJ	5-8V DC	0.2	1.2	10	71.5 / 65.5	1 5/8" (41mm)	1 15/32" (37mm)	1/2" (13mm)	1 13/32" (36mm)
	6-10V AC	0.3	2.4	10					
	24V DC	0.1	2.4	120					
15-0G1	24V DC	0.1	2.4	120	75 / 69	2 5/8" (66mm)	2 3/8" (60mm)	15/16" (24mm)	2 3/32" (53mm)
15-0G5	24V AC	0.2	4.8	85					
15-1AB	5-10V DC	0.3	2	8					
15-1E1	6-12V AC	0.45	3.5	8	80.5 / 74.5	3" (76mm)	2 1/2" (64mm)	7/8" (22mm)	2 3/8" (60mm)
	12V DC	0.2	2.4	20					
	24V DC	0.1	2.4	90					
15-1G1	24V DC	0.1	2.4	90	80.5 / 74.5	3" (76mm)	2 1/2" (64mm)	7/8" (22mm)	2 3/8" (60mm)
15-1G5	24V AC	0.25	6	56					
15-2AB	5-10V DC	3.5	2	6					
15-2G1	6-12V AC	3.0	3	6	75 / 69	2 5/8" (66mm)	2 3/8" (60mm)	15/16" (24mm)	2 3/32" (53mm)
	24V DC	0.15	3.6	60					
	24V AC	0.25	6	40					
15-3AB	5-10V DC	0.3	2	5	80.5 / 74.5	3" (76mm)	2 1/2" (64mm)	7/8" (22mm)	2 3/8" (60mm)
6-12V AC	0.4	2.5	5						
12V DC	0.2	2.4	20						
15-3E1	12V DC	0.2	2.4	20	80.5 / 74.5	3" (76mm)	2 1/2" (64mm)	7/8" (22mm)	2 3/8" (60mm)
15-3G1	24V DC	0.2	4.8	44					
15-3G5	24V AC	0.25	6	30					