

Zinc Liquidtight Connectors

For Liquidtight Flexible Metal Conduit & Type B Non-Metallic Conduit

Type LML

90°

Use:

Terminate and seal liquidtight flexible metal conduit, at 90° angle, to either oiltight, liquidtight or raintight box or enclosure. Connectors can be used with tapered thread female entry or unthreaded knockout using the provided sealing washer and locknut.


Features:

- Furnished with locknut and sealing ring
- Liquidtight/Raintight/Oiltight
- Suitable for grounding (through 1/4")
- Suitable for Wet Locations

Material/Finish:

Zinc Die Cast

Third Party Certification:

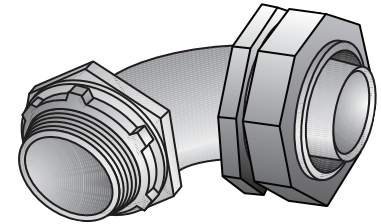
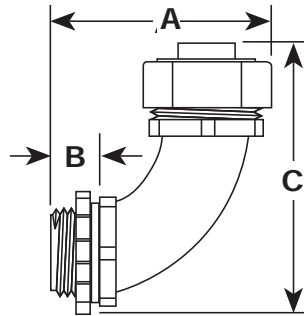
 UL Listed: E-32539



LML-01 through LML-61
LML-02 through LML-62
CSA Certified: LR14489
LML-71 through LML-91
LML-72 through LML-92
CSA Certified: LR39354

Applicable Third Party Standards:

UL Standard: 514B
CSA Standard: C22.2 No. 18
NEMA: FB-1
Fed. Spec: W-F-406D,
Type 1, Class 3, Style K



Type LML-01

Trade Size (inches)	Catalog Number	Insulated Throat Catalog Number	Dimensions in Inches		
			A	B	C
3/8*	LML-01	LML-02	2.15	0.53	2.40
1/2	LML-11	LML-12	2.15	0.53	2.45
3/4	LML-21	LML-22	2.42	0.53	2.64
1	LML-31	LML-32	2.90	0.66	3.34
1 1/4	LML-41	LML-42	3.40	0.67	3.76
1 1/2	LML-51	LML-52	3.40	0.67	4.22
2	LML-61	LML-62	4.30	0.67	4.78
2 1/2	LML-71	LML-72	5.75	1.03	7.00
3	LML-81	LML-82	6.00	0.99	7.25
3 1/2	LML-85	LML-86	7.88	1.18	9.00
4	LML-91	LML-92	8.75	1.17	10.00

*3/8" fits 1/2" KO