




# Round Weatherproof Outlet Boxes and Extensions

Closure plugs, ground screw and mounting lugs included.

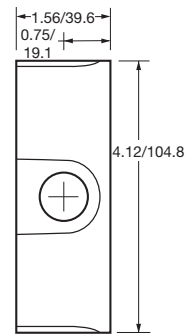
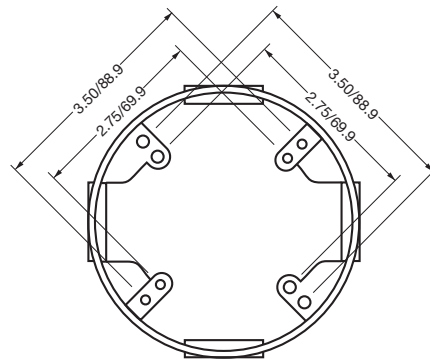
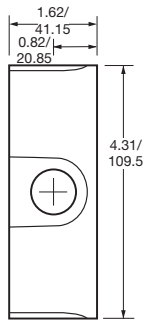
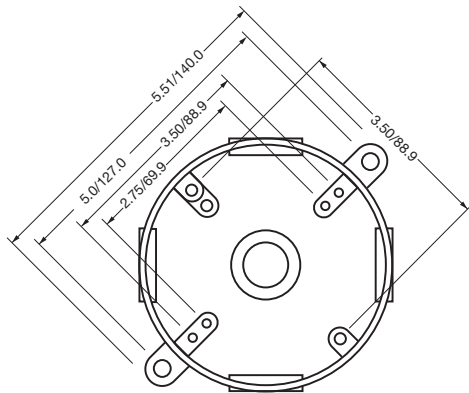
UL Standard: 514A  
 UL Listed: E2527  
 CSA Standard: C22.2 No. 18.1  
 cUL Listed: E2527  
 NEMA: FB-1, OS-1

Commercial Products

COMMERCIAL PRODUCTS: WEATHERPROOF OUTLET BOXES AND COVERS

	Catalog Number	Depth (inches)	Wiring Cubic Inch Capacity	Hub Size (inches)	No. of Hubs
	WRX50 *	1.62	16.0	1/2	5
	WRX75 *	1.62	16.0	3/4	5
	WRX50CG	1.62	16.0	1/2	5
	WRX75CG	1.62	16.0	3/4	5
	WERX50	1.62	16.5	1/2	4
	WERX75	1.62	16.5	3/4	4

## Dimensions (Inches/Millimeters)



WRX50  
 WRX75  
 WRX50CG  
 WRX75CG

### Extension WERX50/WERX75

Extensions and Extension Adapters are used to provide additional capacity needed for NEC box fill requirements. Adapters allow installer to add "take-offs" to new boxes and/or devices.

\* Catalog number shown represents gray color. White (Suffix *W*) and Bronze (Suffix *B*) also available. Consult local sales representative for lead time.