



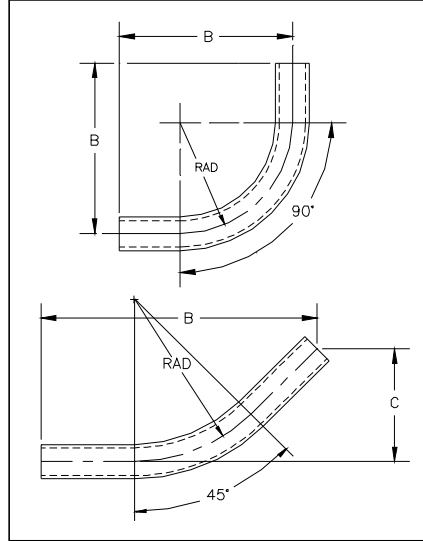
# CONDUIT pipe products

## CONDUIT 90° & 45° ELBOWS

EMT

Standard Radius				
Size	Radius	90°		45°
		B dim.	B dim.	C dim.
1/2	4	6-3/16	7	2-7/8
3/4	4-1/2	6-11/16	7-7/8	3-1/4
1	5-3/4	8-9/16	8-15/16	3-11/16
1-1/4	7-1/4	9-15/16	9-11/16	4
1-1/2	8-1/4	11-1/2	11-3/8	4-11/16
2	9-1/2	14-1/16	14	5-13/16
2-1/2	10-1/2	16	19-3/8	8
3	13	18-13/16	22	9-1/8
3-1/2	15	23	23-13/16	9-7/8
4	16	24-7/16	25-1/16	10-3/8

Special Radius				
Radius	Sizes Available	90°		45°
		B dim.	B dim.	C dim.
18	1 - 4	28	29-3/4	12-3/8
24	1 - 4	35	35-3/4	14-13/16
30	1 - 4	41	40	16-9/16
36	1 - 4	47	44-1/4	18-5/16
42	1 - 4	54	50-1/8	20-13/16
48	1 - 4	60	54-3/8	22-9/16



Notes:

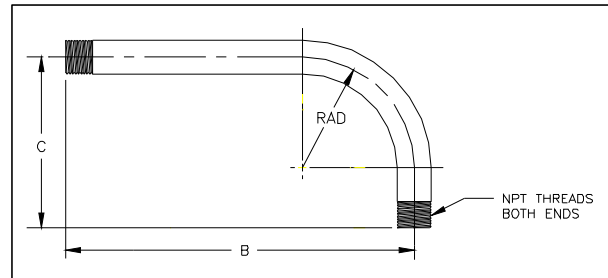
EMT Elbows meet UL797 and ANSI C80.3

11-1/4°, 15°, 22-1/2°, 30° and 60° Elbows also available

## YARD LIGHTS

Galvanized Steel

Size	Radius	B dim.	C dim.
1/2	4	18	6-3/16
3/4	4-1/2	18	6-3/4
1	5-3/4	18	8-5/8
1-1/4	7	19-1/4	10-1/4
1-1/2	8-1/4	20-1/2	11-5/8
2	9-1/2	21-1/2	14-1/2
2-1/2	10-1/2	22-1/2	16
3	13	25	19-1/4
3-1/2	15	27	22-3/4
4	16	28	24



### Conduit Pipe Products Company

A Member of The Phoenix Forge Group

1501 West Main Street  
West Jefferson, OH 43162

Phone: 614 879-9114

Toll Free: 800 848-6125

Fax: 614 879-5185

Website: [www.conduitpipe.com](http://www.conduitpipe.com)