

# 3" New Construction Single Wall Housing

3" single wall housing for new construction applications. For use with MR16 lamps with GU10 base.



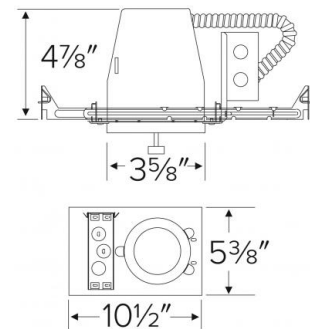
## Features

- Single wall construction with Thermal Protector
- Lamp: 50W max 120V GU10 MR16
- For use in non-insulated ceilings
- Lamp Holder: Twist-and-lock GU10 MR16 lamp holder
- Trims sold separately

## Specifications

<b>Wattage</b>	50W
<b>Voltage</b>	120V
<b>Lamp Type</b>	GU10
<b>Wet Location</b>	Listed with Shower Trims
<b>Damp Location</b>	Listed

## Dimensions



## Technical Details

### Construction:

- Housing adjusts in frame to accommodate up to 1 1/4" ceiling thickness.
- Steel housing for greater heat dissipation. Stamped galvanized steel frame.

**Installation:** Designed for ceiling plenums where 2x6 joists or taller joists are used. High strength hanger bars can easily be nailed to joists. Maximum hole cutout is 3 5/8". Suitable for T-grid and drop ceiling applications. See installation sheet for detailed information.

**Junction Box:** Positioned to accommodate straight conduit runs. Seven 1/2" trade size conduit knockouts, four 3/4" knockouts with pry-out knockout slots. 4 Romex pryouts with strain relief.

**Hanger Bars:** Pre-installed hanger bars with True Nail facilitate easy installation in regular lumber, engineered lumber, and laminated beams. Integral T-bar slots for easy installation in T-bars. Spans up to 24" and can be repositioned 90°. Score lines allow for tool-free hanger bar size reduction. Integral leveling flange allows for single-person installation while aligning the housings with the joists.

### Electrical:

- Input Voltage: 120V AC.
- Thermally protected against improper lamping.

**Trims:** Compatible with ELCO 3" MR16 trims.

**Lamp:** Designed for use with GU10 MR16 LED lamps.

**Dimmability:** Dimmability based on lamp.

### Listings:

- UL Listed for Damp Location.
- UL Listed for Wet Location with select trims.
- UL Listed for Feed Through.
- Airtight per ASTM E-283.
- Install a JA8-2016-E lamp/luminaire for Title 24 Compliance.

**Warranty:** ELCO Lighting warrants products will be free from defects in materials and workmanship for a period of 3 years.

## Product Numbers

Item	Lamp type	Watts	Voltage
EL39A	GU10	50W	120V