

B6RIC

6" Universal IC Remodel Housing

LAMP WATTAGE: (1) MAXIMUM 75W R/PAR30, 60W A19, 65W BR30

Catalog Number:
B6RIC -AT-W

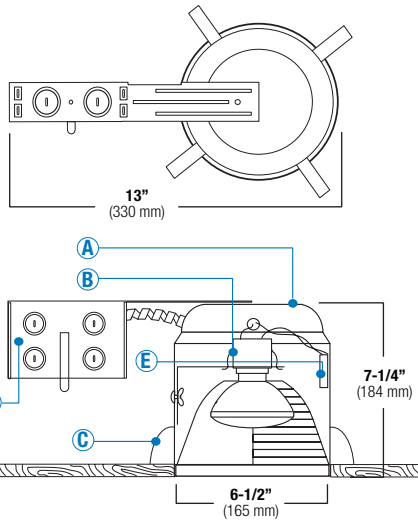
Project Name:

Type:

Note:



DESIGNED FOR 2" X 8" JOIST CONSTRUCTION



DESCRIPTION

Thermally protected, IC rated specification grade remodel recessed housing. For remodeling installations where housing will be in direct contact with insulation. For fast and easy installation in existing plaster or mechanical ceilings from 1/2" to 1-3/8" thick. Four remodel clips are easily retractable for fixture removal if necessary. Junction box is provided with eight 1/2" KOs and four Romex knockouts with strain relief. Accommodates up to 75W PAR30, BR30, and A19 lamps.

SPECIFICATION

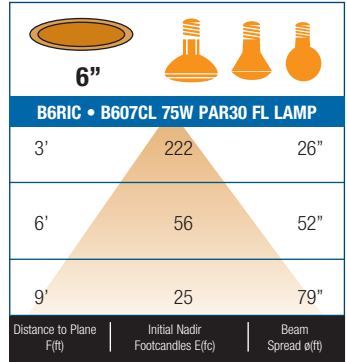
A. HOUSING - Die-formed, all aluminum construction for maximum heat dissipation and rust protection.

B. SOCKET - Medium base screw shell porcelain socket preinstalled on adjustable mounting bracket is designed to allow usage of different lamp types, as well as proper and consistent lamp positioning.

C. INSTALLATION - Four preinstalled spring clips which secure the housing firmly into ceiling to accommodate different ceiling thicknesses from 1/2" to 1-3/8".

D. JUNCTION BOX - UL and ETL listed for through-branch circuit wiring, provided with eight 1/2" KOs and four Romex knockouts with strain relief.

E. THERMAL PROTECTION - Standard thermal protection device guards against improper installation, overlamping and misuse of insulation material.



FEATURES

- Thermally Protected remodel IC housing.
- Dependable, favorable design and effortless installation.
- Unit slips through 6-1/2" ceiling opening.
- Four preinstalled spring clips which secure the housing firmly into ceiling to accommodate different ceiling thickness from 1/2" to 1-3/8".
- Can be installed from below the ceiling.
- 7-1/4" height allows use in 2" x 8" joist construction.
- Wire through junction box.
- Adjustable socket bracket.
- Preinstalled socket cap provides electrical contact protection against dust, paint and over spray.

OPTIONS

AIR-SHUT

- Gasket to prevent air flow from heated or air conditioned spaces.
- Meets all national air flow requirements.

UL AND C-UL/ETL AND C-ETL LISTED

- For Damp location
- For Feed-through wiring
- For Direct contact with insulation



ITEM SELECTOR: (Please check the boxes below for the option desired)

| TYPE | AIR-SHUT | OPTION | TRIM TYPE | BAFFLE | REFLECTOR | TRIM/RING | GLASS |
|--------------|-----------------------------|--|---|--|--|-----------|-------|
| B6RIC | <input type="checkbox"/> AT | <input type="checkbox"/> (W) With quick connects | <input type="checkbox"/> B630 <input type="checkbox"/> B609 <input type="checkbox"/> B606L <input type="checkbox"/> B676 <input type="checkbox"/> B651 <input type="checkbox"/> B688 <input type="checkbox"/> B620 <input type="checkbox"/> B619 <input type="checkbox"/> B635 <input type="checkbox"/> B612 <input type="checkbox"/> B611 <input type="checkbox"/> B685 <input type="checkbox"/> B631 <input type="checkbox"/> B646 <input type="checkbox"/> B636 <input type="checkbox"/> B645 <input type="checkbox"/> B647 <input type="checkbox"/> B696 <input type="checkbox"/> AF637 <input type="checkbox"/> B616 <input type="checkbox"/> B642 <input type="checkbox"/> B648 <input type="checkbox"/> B644 <input type="checkbox"/> B689 <input type="checkbox"/> AF631 <input type="checkbox"/> B663 <input type="checkbox"/> B641 <input type="checkbox"/> B652 <input type="checkbox"/> B650 <input type="checkbox"/> B680 <input type="checkbox"/> AF639 <input type="checkbox"/> B673 <input type="checkbox"/> B656 <input type="checkbox"/> B603 <input type="checkbox"/> B622 <input type="checkbox"/> AF640 <input type="checkbox"/> B683 <input type="checkbox"/> B657 <input type="checkbox"/> B615 <input type="checkbox"/> B625 <input type="checkbox"/> AF632 <input type="checkbox"/> B601 <input type="checkbox"/> B637 <input type="checkbox"/> B633 <input type="checkbox"/> B624 <input type="checkbox"/> B610 <input type="checkbox"/> B601L <input type="checkbox"/> B643 <input type="checkbox"/> B649 <input type="checkbox"/> B681 <input type="checkbox"/> B607 <input type="checkbox"/> B605 <input type="checkbox"/> B658 <input type="checkbox"/> AF633 <input type="checkbox"/> B687 <input type="checkbox"/> B608 <input type="checkbox"/> B605L <input type="checkbox"/> B659 <input type="checkbox"/> B225 <input type="checkbox"/> B682 <input type="checkbox"/> B602 <input type="checkbox"/> B606 <input type="checkbox"/> B675 <input type="checkbox"/> B653 <input type="checkbox"/> B693 | <input type="checkbox"/> W <input type="checkbox"/> CL <input type="checkbox"/> WH <input type="checkbox"/> P <input type="checkbox"/> RG <input type="checkbox"/> BK <input type="checkbox"/> SN <input type="checkbox"/> W <input type="checkbox"/> SN <input type="checkbox"/> CP <input type="checkbox"/> MB <input type="checkbox"/> CP <input type="checkbox"/> BZ <input type="checkbox"/> BZ <input type="checkbox"/> CH <input type="checkbox"/> CP <input type="checkbox"/> PB <input type="checkbox"/> SN <input type="checkbox"/> BZ <input type="checkbox"/> SHZ | <input type="checkbox"/> WH <input type="checkbox"/> Green <input type="checkbox"/> BK <input type="checkbox"/> Yellow <input type="checkbox"/> SN <input type="checkbox"/> Pink <input type="checkbox"/> CP <input type="checkbox"/> Brown <input type="checkbox"/> CH <input type="checkbox"/> Navy Blue <input type="checkbox"/> PB <input type="checkbox"/> Orange <input type="checkbox"/> BZ <input type="checkbox"/> Blue <input type="checkbox"/> WH <input type="checkbox"/> White <input type="checkbox"/> BK <input type="checkbox"/> Red | | |

Specifications:

B6RIC

AIR-SHUT OPTION TRIM TYPE BAFFLE REFLECTOR TRIM/RING GLASS

| BAFFLE | REFLECTOR | TRIM/RING |
|-----------------|-----------------|-----------------|
| W White | CL Chrome | WH White |
| P Black | RG Gold | BK Black |
| SN Satin Nickel | W White | SN Satin Nickel |
| CP Copper | MB Black | CP Copper |
| BZ Bronze | BZ Bronze | CH Chrome |
| | CP Copper | PB Polish Brass |
| | SN Satin Nickel | BZ Bronze |
| | SHZ Satin Haze | |

Sample of Catalog Number: B6RIC-AT-W-B630-W-WH

*For custom baffle, reflector, trim ring, glass color and lens options, please consult factory.



Submission form is available @ www.iuseelite.com
Tel: 323-888-1973 • Fax: 323-888-1977

Specifications and Dimensions subject to change without notice.

REV: ELITE LIGHTING-SPEC-06-29-2011