

# Network Equipment Racks & Accessories

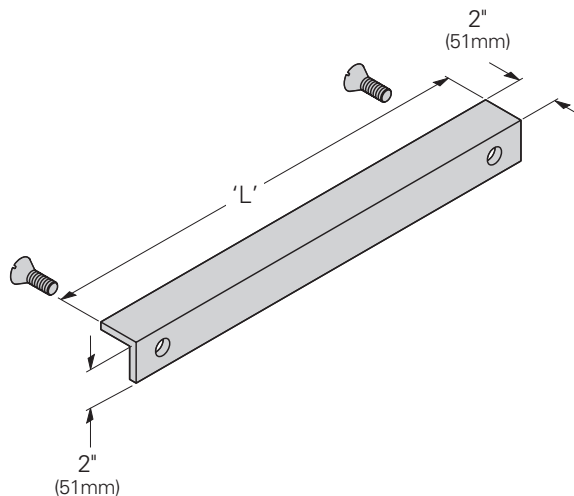
## Rack Accessories

### Top Angle

- Used with SB574 rack extension kit or Telco style racks to provide rigidity
- Includes 3/8"-16 mounting hardware
- Material: Aluminum or Steel - ASTM A36 structural steel
- Finish \_\_\_\_: Aluminum - brushed (AL)  
Flat black powder coat (FB)  
Telco gray powder coat (TG)  
Silver powder coat (SL)

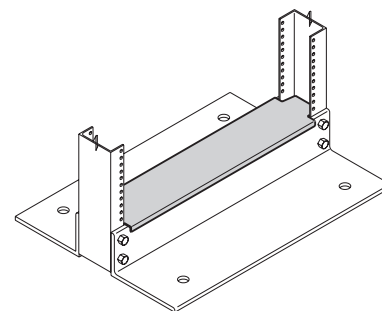
Part Number	Rack Width		'L'		Weight	
	In.	(mm)	In.	(mm)	Lbs.	(kg)
<b>Steel</b>						
<b>SB575A</b> ____	19"	(482)	20 <sup>5</sup> / <sub>16</sub> "	(516)	5.5	(2.5)
<b>SB575B</b> ____	23"	(584)	24 <sup>5</sup> / <sub>16</sub> "	(617)	6.5	(2.9)
<b>Aluminum</b>						
<b>SB575C</b> ____	19"	(482)	20 <sup>5</sup> / <sub>16</sub> "	(516)	1.9	(0.8)
<b>SB575D</b> ____	23"	(584)	24 <sup>5</sup> / <sub>16</sub> "	(617)	2.3	(1.0)

Specify part number and finish when ordering.



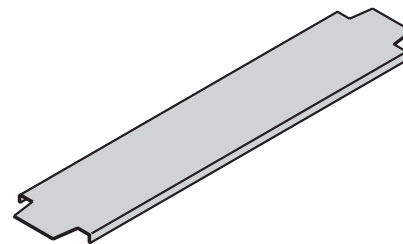
### Two-Post Network Equipment Rack Base Dust Cover

- Use to cover opening at bottom of equipment rack
- Available for aluminum or steel network equipment racks
- Material: Aluminum or Steel ASTM A569
- Finish \_\_\_\_: Aluminum - brushed (AL)  
Flat black powder coat (FB)  
Telco gray powder coat (TG)



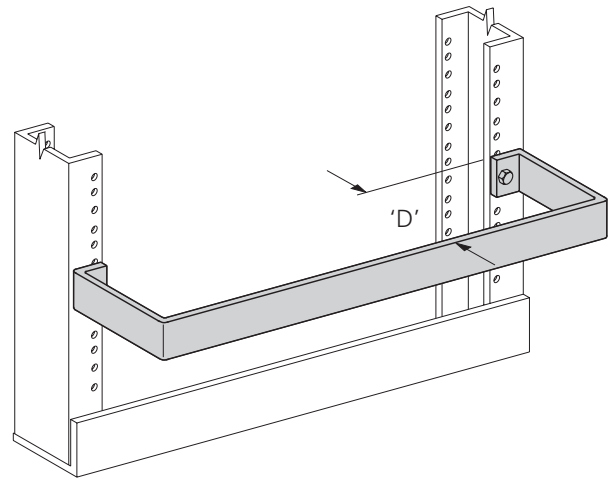
Part Number	Material	Rack Depth		Rack Width		Weight	
		In.	(mm)	In.	(mm)	Lbs.	(kg)
<b>SB59501</b> __	Steel	3"	(76)	19"	(482)	1.6	(0.72)
<b>SB59502</b> __	Steel	3"	(76)	23"	(584)	2.0	(0.90)
<b>SB59501A</b> __	Aluminum	3"	(76)	19"	(482)	1.1	(0.50)
<b>SB59502A</b> __	Aluminum	3"	(76)	23"	(584)	1.6	(0.72)
<b>SB59503A</b> __	Aluminum	6"	(152)	19"	(482)	2.0	(0.90)
<b>SB59504A</b> __	Aluminum	6"	(252)	23"	(584)	3.1	(1.40)

Specify part number and finish when ordering.



## Two-Post Network Equipment Rack Guard Rail

- Use to protect rack mounted equipment
- Available in 4¼" (108mm) to 9½" (241mm) depths
- Includes: ⅜"-16 mounting hardware
- Uses two (2) RMUs of mounting space
- Material: ¼" (6.3mm) x 2" (51mm) Aluminum Bar
- Finish \_\_\_\_: Flat black powder coat (FB)  
Telco gray powder coat (TG)  
Silver powder coat (SL)



Part Number	'D' Depth		Weight	
	In.	(mm)	Lbs.	(kg)
<b>19" (482mm) Rack Width</b>				
SB58901A__	4¼"	(108)	1.5	(0.68)
SB58901B__	5¼"	(133)	1.6	(0.72)
SB58901C__	6½"	(165)	1.7	(0.77)
SB58901D__	7"	(178)	1.8	(0.81)
SB58901E__	9½"	(241)	2.0	(0.91)
<b>23" (584mm) Rack Width</b>				
SB58902A__	4¼"	(108)	1.7	(0.77)
SB58902B__	5¼"	(133)	1.8	(0.81)
SB58902C__	6½"	(165)	1.9	(0.86)
SB58902D__	7"	(178)	2.0	(0.91)
SB58902E__	9½"	(241)	2.2	(1.00)

Specify part number and finish when ordering.