

AMERICAN FITTINGS

2-1/2" to 4" Connectors Compression UL Rated & Listed for Dual Use on EMT & Rigid/IMC Conduit



Since 1946

ERC Series: 2 1/2" to 4" Trade Sizes
EMT & Rigid/IMC Conduit Dual Rated Compression Fittings
UL Listed & UL Approved Dual Use on EMT & Rigid/IMC Conduit

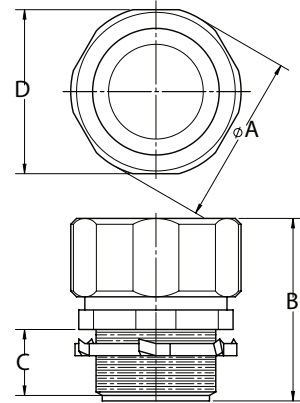
This Product Replaces 2-1/2" to 4" EC and NT Series Fittings

Alloy Steel Construction Precision Machined
Zinc Plated with Clear Chromate Finish
Features: AMFICO's **EZ Torque** Compression Nuts
Furnished with an Industrial Grade Steel Locknut

**Twice the Strength and Brinell Hardness
of Malleable Iron Fittings
with 1/3 the Weight
Greatly Reduces Hanging Loads**

Improves Installation Time

**Unique Low Profile Design
Allows Greater Installation Space
Conforms to Conduit OD**



Trade Size"	Cat #	Configuration	Box Qty.	Weight Each lbs	NAED UPC
2 1/2	ERC250BCONN	Compression Connector w/Insul Throat	5	1.2	66236405804
2 1/2	ERC250CONN	Compression Connector	5	1.2	66236405800
3	ERC300BCONN	Compression Connector w/Insul Throat	3	1.7	66236405805
3	ERC300CONN	Compression Connector	3	1.7	66236405801
3 1/2	ERC350BCONN	Compression Connector	3	2.0	66236405806
3 1/2	ERC350CONN	Compression Connector	3	2.0	66236405802
4	ERC400BCONN	Compression Connector w/Insul Throat	2	2.4	66236405807
4	ERC400CONN	Compression Connector	2	2.4	66236405803

Compliances:

Certified Made in the USA
UL 514B
Compression Fittings Concrete Tight
Suitable for Direct Burial **
NEMA Standard FB1
Federal Standard A-A-50553
UL Standards: 514B, 467
Certified for MIL-STD 810 Sinusoidal Vibrations
CSA Standard: C22.2 No. 18F
RoHS Compliant
REACH Compliant
CA Prop 65 Compliant
UNSPSC 3912131



Available Options:

RainTight Configuration - "RT series" See Catalog Page*
Insulated Throat - (Shown Above "B")
Galvanized Plating **
Painted Fittings Color Coded **

Dimensions

Size	A	B	C	D
2-1/2"	3-7/16"	3-1/8"	1"	3-1/4"
3"	4"	3-3/16"	1"	3-15/16"
3-1/2"	4-9/16"	3-3/16"	1"	4-7/16"
4"	5-1/8"	3-3/16"	1"	4-15/16"

** Consult Factory for Specifics

Page

AMERICAN FITTINGS

2-1/2" to 4" Couplings Compression
UL Rated & Listed for Dual Use on EMT & Rigid/IMC Conduit



Since 1946

ERC Series: 2 1/2" to 4" Trade Sizes
EMT & Rigid/IMC Conduit Dual Rated Compression Fittings
UL Listed & UL Approved Dual Use on EMT & Rigid/IMC Conduit

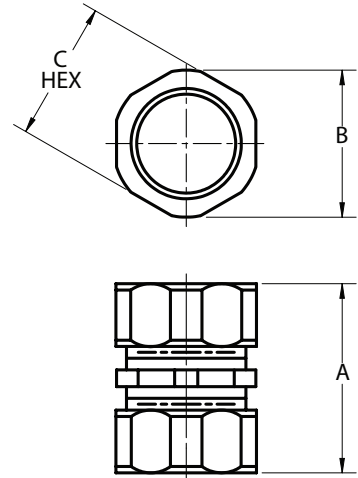
This Product Replaces 2-1/2" to 4" EC and NT Series Fittings

Alloy Steel Construction Precision Machined
Zinc Plated with Clear Chromate Finish
Features: AMFICO's **EZ Torque** Compression Nuts

*Twice the Strength and Brinell Hardness
of Malleable Iron Fittings
with 1/3 the Weight
Greatly Reduces Hanging Loads*

Improves Installation Time

*Unique Low Profile Design
Allows Greater Installation Space
Conforms to Conduit OD*



Trade Size"	Cat #	Configuration	Box Qty.	Weight Each lbs	NAED UPC
2 1/2	ERC250CPLG	Compression Coupling	5	1.4	66236405832
3	ERC300CPLG	Compression Coupling	3	1.7	66236405833
3 1/2	ERC350CPLG	Compression Coupling	3	2.0	66236405834
4	ERC400CPLG	Compression Coupling	2	2.4	66236405835-

Compliances:

Certified Made in the USA
UL 514B
Compression Fittings Concrete Tight
Suitable for Direct Burial **
NEMA Standard FB1
Federal Standard A-A-50553
UL Standards: 514B, 467
Certified for MIL-STD 810 Sinusoidal Vibrations
CSA Standard: C22.2 No. 18F
RoHS Compliant
REACH Compliant
CA Prop 65 Compliant
UNSPSC 39131707



Available Options:

RainTight Configuration - "RT series" See Catalog Page
* Galvanized Plating **
Painted Fittings Color Coded **

Dimensions

Size	A	B	C
2-1/2"	3-5/8"	3-7/16"	3-1/4"
3"	3-11/16"	4"	3-15/16"
3-1/2"	3-5/8"	4-9/16"	4-7/16"
4"	3-5/8"	5-1/8"	4-15/16"

** Consult Factory for Specifics

Page