

POWER BLOCKS - SB SERIES

FEATURES

ERIFLEX Power Blocks are the main DIN mounted input/output devices for connection between primary and secondary switchboard. They also are the main input/output connection for machine or industrial equipment such as inverters, air conditioned machines, etc. The high short circuit rated, large cross section blocks offer time savings and reliability in every panel configuration. The complete power blocks range offers multiple connection possibilities with one cable, two cables, ERIFLEX FLEXIBAR, and IBSB/IBSBR power braids and can be connected with copper or aluminum conductors.

CABLE TO CABLE POWER BLOCK

INDUSTRY STANDARDS

UL 1059 Component Recognized; File No. E198301
 cUL Component Recognized per CSA C22.2 No. 158; File No. E198301 (Tinned aluminum blocks only)
 Flammability Rating: UL 94V-0
 SCCR Rating: 10kA
 SCCR Rating if fused per UL File E198301: 100kA

IEC 60947-7-1

IEC 60529 IP20

EAC File No. 0234267 (Tinned copper blocks only)

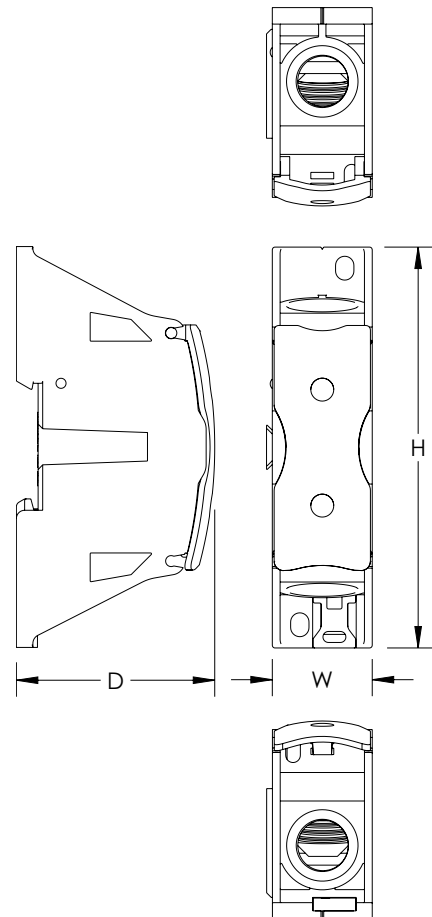
CE (Tinned aluminum blocks only)

FEATURES

- Compact power block with high short circuit current rating
- Tinned copper or aluminum block allows for copper or aluminum conductor connections
- Screw retaining cover is hinged and removable
- Design allows for visual inspection of conductor and confirmation of connection
- Gangable for building multi-pole power blocks
- Easily clips onto DIN rail or mounts to panel with screws
- 95% fill ratio
- Halogen free
- RoHS compliant

FINISH

- Tinned



Unit Dimensions

Catalog Number	Material	Depth D (in.)	Height H (in.)	Width W (in.)	Unit Weight (lb.)	Qty.
SB80	Copper, Thermoplastic	1.65	3.30	0.68	0.10	1
SB80AL	Aluminum, Thermoplastic	1.65	3.30	0.68	0.08	1
SB125	Copper, Thermoplastic	1.85	3.30	0.80	0.15	1
SB125AL	Aluminum, Thermoplastic	1.85	3.30	0.80	0.10	1
SB160	Copper, Thermoplastic	2.16	4.37	1.09	0.40	1
SB160AL	Aluminum, Thermoplastic	2.16	4.37	1.09	0.22	1
SB250	Copper, Thermoplastic	2.28	4.37	1.24	0.66	1
SB250AL	Aluminum, Thermoplastic	2.28	4.37	1.24	0.29	1
SB400	Copper, Thermoplastic	3.23	5.76	1.63	1.13	1
SB400AL	Aluminum, Thermoplastic	3.23	5.76	1.63	0.55	1
SB630	Copper, Thermoplastic	3.52	6.87	2.13	2.64	1
SB630AL	Aluminum, Thermoplastic	3.52	6.87	2.13	1.29	1

Electrical Data

Catalog Number	Max Current Rating, IEC	Max Current Rating, UL	Peak Short Circuit Current (I _{pk})	Short Circuit Current Rating (SCCR)	Max Working Voltage, IEC (U _i)	Max Working Voltage, UL (V _{in})
SB80	110 A	85 A	25 kA	100 kA	1,000 VAC 1,500 VDC	1,000 VAC/DC
SB80AL	105 A	85 A	22 kA	100 kA	1,000 VAC 1,500 VDC	1,000 VAC/DC
SB125	170 A	150 A	25 kA	100 kA	1,000 VAC 1,500 VDC	1,250 VAC/DC
SB125AL	185 A	150 A	22 kA	100 kA	1,000 VAC 1,500 VDC	1,250 VAC/DC
SB160	250 A	200 A	42 kA	100 kA	1,000 VAC 1,500 VDC	1,000 VAC/DC
SB160AL	230 A	200 A	42 kA	100 kA	1,000 VAC 1,500 VDC	1,000 VAC/DC
SB250	400 A	255 A	42 kA	100 kA	1,000 VAC 1,500 VDC	1,250 VAC/DC
SB250AL	400 A	255 A	42 kA	100 kA	1,000 VAC 1,500 VDC	1,250 VAC/DC
SB400	500 A	335 A	51 kA	100 kA	1,000 VAC 1,500 VDC	1,250 VAC/DC
SB400AL	610 A	335 A	51 kA	100 kA	1,000 VAC 1,500 VDC	1,250 VAC/DC
SB630	870 A	545 A	51 kA	100 kA	1,000 VAC 1,500 VDC	1,250 VAC/DC
SB630AL	860 A	545 A	51 kA	100 kA	1,000 VAC 1,500 VDC	1,250 VAC/DC