

#### INSTALLATION INSTRUCTIONS

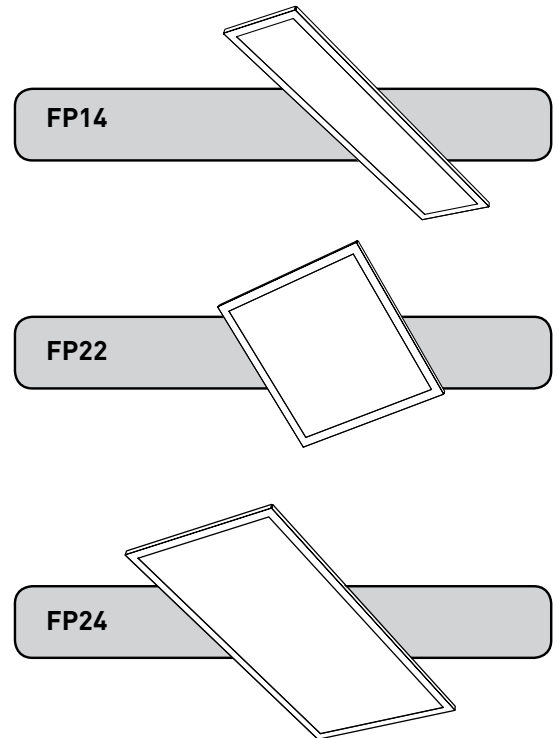
## IMPORTANT SAFEGUARDS

When using electrical equipment, basic safety precautions should always be followed including the following:

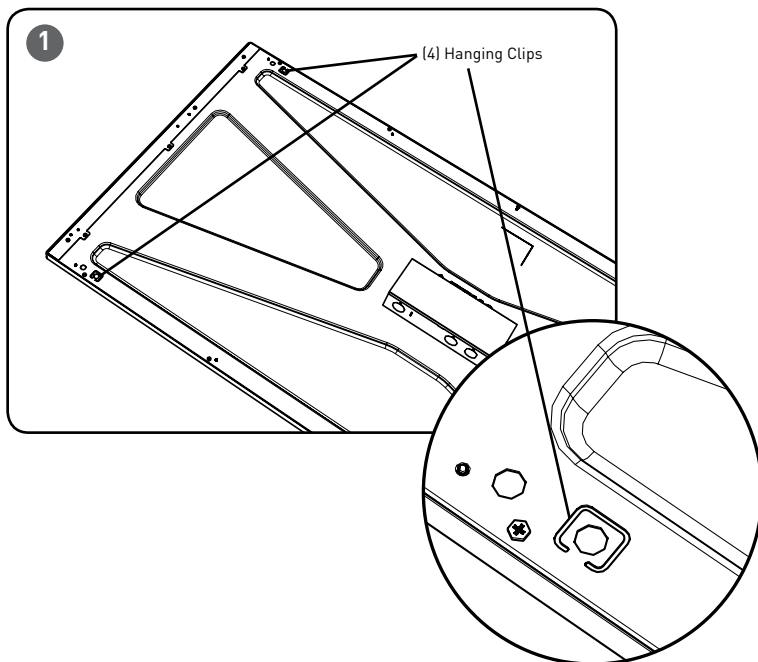
## READ AND FOLLOW ALL SAFETY INSTRUCTIONS

1. **DANGER**- Risk of shock- Disconnect power before installation.  
**DANGER – Risque de choc – Couper l'alimentation avant l'installation.**
2. This luminaire must be installed in accordance with the NEC or your local electrical code. If you are not familiar with these codes and requirements, consult a qualified electrician.  
*Ce produit doit être installé conformément à NEC ou votre code électrique local. Si vous n'êtes pas familier avec ces codes et ces exigences, veuillez contacter un électricien qualifié.*

## SAVE THESE INSTRUCTIONS FOR FUTURE REFERENCE



#### TO INSTALL:



#### T-BAR MOUNTING

##### STEP 1:

Locate desired position for fixture in ceiling grid.

##### STEP 2:

Remove appropriate ceiling panel.

##### STEP 3:

Place the fixture into the T-bar ceiling panel location. Fold out (4) hanging clips in corners of fixture and use clips to secure fixture to grid. Ensure that state and local codes are followed. See **Figure 1**.

##### STEP 4:

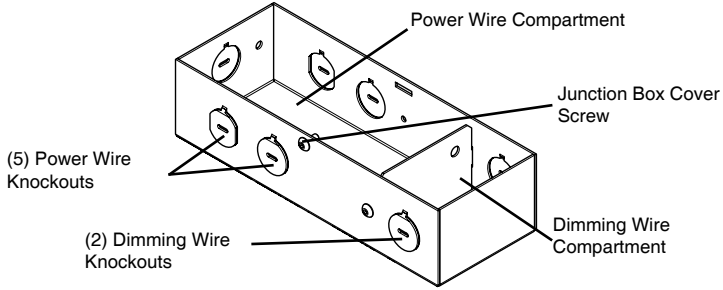
Make wiring connections per the **Electrical Connection** section on the back page.

#### SUSPENDED MOUNTING

##### STEP 1:

For installation of suspended mount application refer to installation instruction provided with the suspended mount kit, FPAC-45-1.

2



## 0 - 10V DIMMING OPTION

### STEP 1:

Remove the junction box cover by removing screw and set screw aside to reinstall later. Bring in power supply to the junction box using appropriate knockouts. If dimming is being used, bring dimming conduit into dimming wire compartment using appropriate knockouts. See **Figure 2**.

### STEP 2:

Make wiring connections per the "Electrical Connections" section.

### STEP 3:

Once all leads are connected, carefully tuck the leads inside the junction box and reinstall cover that was removed in Step 1 above making sure not to pinch any wires.

## ELECTRICAL CONNECTIONS

### STEP 1:

Make the following Electrical Connections:

- a. Connect the black fixture lead to the voltage supply Line position, Hot.
- b. Connect the white fixture lead to the neutral supply position.
- c. Connect the green or green/yellow ground lead to the supply ground lead.
- d. If 0/1-10V Dimming is used, connect the violet lead to the supply positive dimming lead. If dimming is not being used ensure to cap off the violet lead.
- e. If 0/1-10V Dimming is used, connect the gray lead to the supply negative dimming lead. If dimming is not being used ensure to cap off the gray lead.

