

# HMI Cover Kit

## Human Machine Interface Cover Kit

Base P/N AMHMI

Allied Moulded's new HMI cover kits are designed to provide protection for instruments or electronics requiring routine attention or detail. The cover kit features a strong and rigid design, mounting securely to the outside of any enclosure option, and makes accessibility to electronic components easy!

HMI cover kits are UL® recognized and maintain a NEMA 4X seal with the use of our Formed-In-Place (FIP) polyurethane gasket system, and is well suited for outdoor applications. Multiple cover latching options are also available, including a hinge screw, tamper proof screw, and snap latch model. All are available in solid opaque or polycarbonate thermoplastic clear covers.



### Cover Latching Options

Including hinged screw cover, tamper proof screw cover, and snap latch models for secure cover installation and security for every application.



### Secure Hinge Pin

Made from 316 stainless steel, keeps cover secure, protecting from outdoor elements such as UV, dirt, dust, oil, and water



### Formed-In-Place Gasket

Made with strong polyurethane, protects HMI equipment and electronics, while providing a reliable seal between cover and cover kit option



### Application Driven

For use with a variety of electrical mounting or component applications, driving innovation and desired capabilities in unique markets

## APPLICATION

- Ideal for covering and protecting instruments or electronics through an enclosure wall, while maintaining all applicable standards and classifications
- No need to open the enclosure to view electronics or perform maintenance, decreasing arc flash risks and safety hazards
- Includes mounting hole pattern for easy cover kit installation
- Protects from UV, dirt, dust, oil and water

## STANDARDS

- UL® listed and recognized component for use with CSA® listed enclosure products Types 1, 2, 3, 3R, 4, 4X, 12 and 13
- EN / IEC 60204-1 and 60529 Type IP66

## CONSTRUCTION

- Clear polycarbonate thermoplastic, or polycarbonate for opaque covers
- 316 stainless steel hinge pin
- UV stabilized for outdoor use
- Formed-In-Place (FIP) polyurethane gasket in continuous channel
- Designed for use with wall thicknesses from 16 gauge through 1/4"
- #10-32 threaded brass inserts with plated steel mounting fasteners



Scan to learn more about HMI Cover Kits!

## OTHER ACCESSORIES

- ULTRAPLUG® Hole Plug Assemblies
- Pole Mount Kits
- Inspection Window Kit
- Back Panels
- Hinged Front Panels
- Exhaust Filter Kits
- Thermal Management Products

## CONTACT INFORMATION

Allied Moulded Products Inc.  
222 North Union Street  
Bryan, OH 43506 USA

Phone: 1-800-722-2679

Fax: 1-800-237-7269

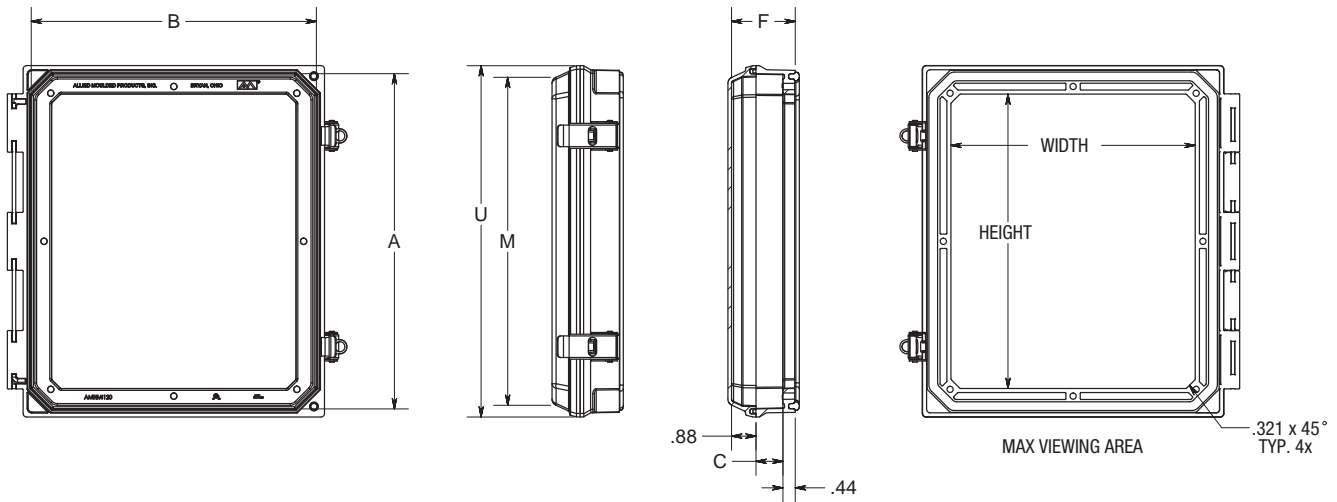
Email: [sales@alliedmoulded.com](mailto:sales@alliedmoulded.com)



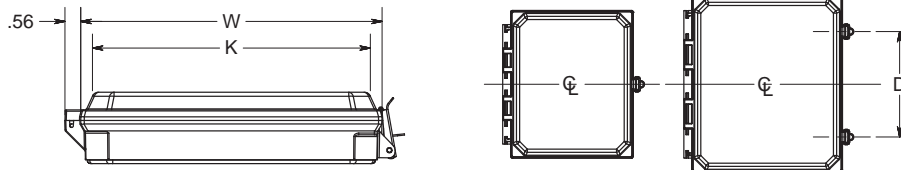
**ALLIED  
MOULDED  
PRODUCTS, Inc.**



[www.alliedmoulded.com](http://www.alliedmoulded.com)



**LATCH LOCATIONS**



FOR USE ON  
10X8

FOR USE ON  
12x10 D=7.5 (191mm)  
14x12 D=8.00 (203mm)  
16x14 D=9.00 (229mm)

Part No. Configuration Options	
Part No. Suffix	Description
CCH	Clear Cover Hinge / 2 Screws
CCHTP	Clear Cover Hinge Tamper Proof Screw
CCL	Clear Cover Hinge Snap Latch
H	Opaque Cover Hinge / 2 Screws
HTP	Opaque Cover Hinge Tamper Proof Screw
L	Opaque Cover Hinge Snap Latch

Add the "Part No. Suffix" to the base part number below to create a complete HMI cover kit (ex. AMHMI120CCL is a 12" x 10" with a clear cover and latch)

Note: For use on flat smooth surfaces of NEMA Types 1, 3, 3R, 4, 4X, 12 or 13 enclosures

Base Part No.	Frame Size Inside Dimensions			Usable Depth	Cover Size				Max Viewing Area		Nom. Wall Thickness
	A	B	C		F	K	M	W	U	Width	
AMHMI108	9.93	8.15	0.96	2.27	7.89	9.67	8.72	10.5	6.69	8.47	0.14
	252mm	207mm	24mm	58mm	200mm	246mm	221mm	267mm	170mm	215mm	4mm
AMHMI120	11.93	10.15	0.96	2.27	9.89	11.67	10.72	12.5	8.69	10.47	0.14
	303mm	258mm	24mm	58mm	251mm	296mm	272mm	318mm	221mm	266mm	4mm
AMHMI142	13.95	12.07	0.96	2.2	11.89	13.67	12.72	14.5	10.71	12.49	0.19
	354mm	307mm	24mm	56mm	302mm	347mm	323mm	368mm	272mm	317mm	5mm
AMHMI164	15.87	14.07	0.96	2.2	13.89	14.72	14.72	16.5	12.71	14.49	0.19
	403mm	357mm	24mm	56mm	353mm	374mm	374mm	419mm	323mm	368mm	5mm

All dimensions are in inches unless otherwise noted

Data subject to change without notice

Base part number listed only. To complete part number, refer to the "Part # Suffix" chart above

Refer to website for complete mounting hole pattern configuration

