

FASTConnect® Field-Installable Connectors

FASTConnect are factory pre-polished, field-installable connectors that completely eliminate the need for hand polishing in the field. Proven mechanical splice technology ensuring precision fiber alignment, a factory pre-cleaved fiber stub and a proprietary index-matching gel combine to offer an immediate low loss termination to either single-mode or multimode optical fibers. FASTConnect are compatible with 250 µm and 900 µm optical fibers, as well as 4.8 mm (SC only) cordage.

All primary fiber types are supported, and each connector is color coded per industry standard requirements to aid in identification during and after installation. A factory-installed wedge clip (included with each connector) is removed and discarded upon completion of the termination. Incorporated into this device is an innovative, translucent wedge enabling the use of a common VFI to provide a "pass/fail" signal once physical contact is achieved.

Features

- No epoxy, no Polish
- Low insertion loss
- Fiber can be reinserted up to three times
- 4.8 mm (SC only) cordage compatibility
- VFI accessory to confirm proper installation

Applications

- Premise/Enterprise Networks
- LAN/WAN Connections
- Patch Panels
- Equipment Termination
- FTTx Applications
- Field Repair/Replacement
- Equipment Test Leads

Specifications

PARAMETER	TYPE	VALUE
Insertion Loss:	Single-mode - UPC	Average: 0.2 dB, Maximum: 0.5 dB
	Single-mode - APC	Average: 0.3 dB, Maximum: 0.6 dB
	Multimode - PC	Average: 0.1 dB, Maximum: 0.5 dB
Return Loss at Room Temperature	Single-mode - UPC	Average: -50 dB, Maximum: -45 dB
	Single-mode - APC	Average: -55 dB, Maximum: -50 dB
	Multimode	Average: -25 dB, Maximum: -20 dB

Ordering Information

FIBER TYPE	HOUSING COLOR	CABLE SIZE	AFL NO.	
			PACKAGE OF 6	PACKAGE OF 100
FASTCONNECT SC				
Multimode 62.5/125 µm, OM1	Beige	900 µm	FAST-SC-MM62.5-6	FAST-SC-MM62.5-100
Multimode 50/125 µm, OM2	Black		FAST-SC-MM50-6	FAST-SC-MM50-100
Multimode 50/125 µm, OM3/OM4 compatible	Aqua		FAST-SC-MM50L-6	FAST-SC-MM50L-100
Single-mode, UPC	Blue		FAST-SC-SM-6	FAST-SC-SM-100
Single-mode, APC	Green		FAST-SC-SMAU-6	FAST-SC-SMAU-100
Single-mode, APC	Green	4.8 mm	FAST-SC48-SMAU-6	FAST-SC48-SMAU-100
FASTCONNECT ST				
Multimode 62.5/125 µm, OM1	Beige	900 µm	FAST-ST-MM62.5-6	FAST-ST-MM62.5-100
Multimode 50/125 µm, OM2	Black		FAST-ST-MM50-6	FAST-ST-MM50-100
Multimode 50/125 µm, OM3/OM4 compatible	Aqua		FAST-ST-MM50L-6	FAST-ST-MM50L-100
Single-mode, UPC	Blue		FAST-ST-SM-6	FAST-ST-SM-100
FASTCONNECT LC				
Multimode 62.5/125 µm, OM1	Beige	900 µm	FAST-LC-MM62.5-6	FAST-LC-MM62.5-100
Multimode 50/125 µm, OM2	Black		FAST-LC-MM50-6	FAST-LC-MM50-100
Multimode 50/125 µm, OM3/OM4 compatible	Aqua		FAST-LC-MM50L-6	FAST-LC-MM50L-100
Single-mode, UPC	Blue		FAST-LC-SM-6	FAST-LC-SM-100

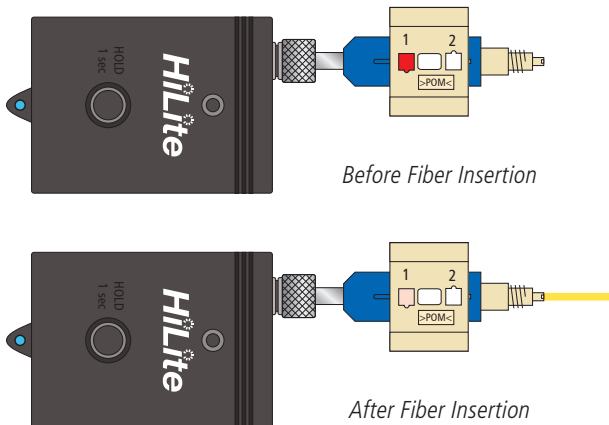
continued
→

FASTConnect® Field-Installable Connectors

Accessories

DESCRIPTION			AFL NO.	AFL NO.
BOOT KITS FOR 2 MM AND 3 MM CORDAGE	COLOR	CABLE SIZE	PACK OF 6	PACK OF 100
2 mm Boot Kit, SC/LC/ST	Black	2 mm	FAST-BOOT-2MM-6	FAST-BOOT-2MM-100
3 mm Boot Kit, SC/LC/ST	Black	3 mm	FAST-BOOT-3MM-6	FAST-BOOT-3MM-100
DUPLEX CLIPS				
LC Duplex Clip (LC only)	Transparent		CS010437-06	CS010437-100
TOOL KITS				AFL NO.
FASTConnect High Precision Tool Kit with CT50 Cleaver				CS001201
FASTConnect High Precision Tool Kit with CT08 Cleaver				S017004
VISUAL FAULT IDENTIFIERS				AFL NO.
VF12 Visual Fault Identifier				VF12-00-0900
HiLite Visual Fault Identifier				VF13-00-0900
1.25 mm Universal Adapter (LC Connectors)				2900-50-0010MR

Testing



Qualifications

GOVERNING BODY	STANDARD CODE
EIA/TIA	568-C.3 604 (FOCIS)

Temperature Specifications

TEMPERATURE RANGE	
Operating Temperature	-40°C to +75°C

Patents

COUNTRY	PATENT NUMBER(S)
U.S.	5,963,699 5,984,532 6,179,482 7,003,208 7,258,496

Contact AFL for further details.