

General Alarm Siren

Model A



ELECTROMECHANICAL SIREN

- Available with 120VAC/VDC universal motor
- Rugged, durable and corrosion resistant
- Maintenance-free
- Produces 103dBa @ 10' (113dBa @ 1m)
- Type 3R enclosure
- UL and cUL Listed and FM Approved

The Federal Signal Model A is a general-purpose electro-mechanical siren that produces a distinctive sound and tonal quality for industrial applications. It has a high maximum pitch which provides excellent contrast to industrial ambient noise. Introduced in 1918, the Model A is still used today in many rugged and extreme environments and applications.

The Model A features a universal motor and operates with 120VAC or 125VDC. The fractional horsepower motor drives a ported aluminum rotor within the specially designed stator to produce a unique sound. A small internal fan cools the motor during operation. The recommended duty cycle is five minutes on/five minutes off. This siren produces an attention-getting 103dBa @ 10' (113dBa @ 1m) and 1060Hz at full R.P.M.

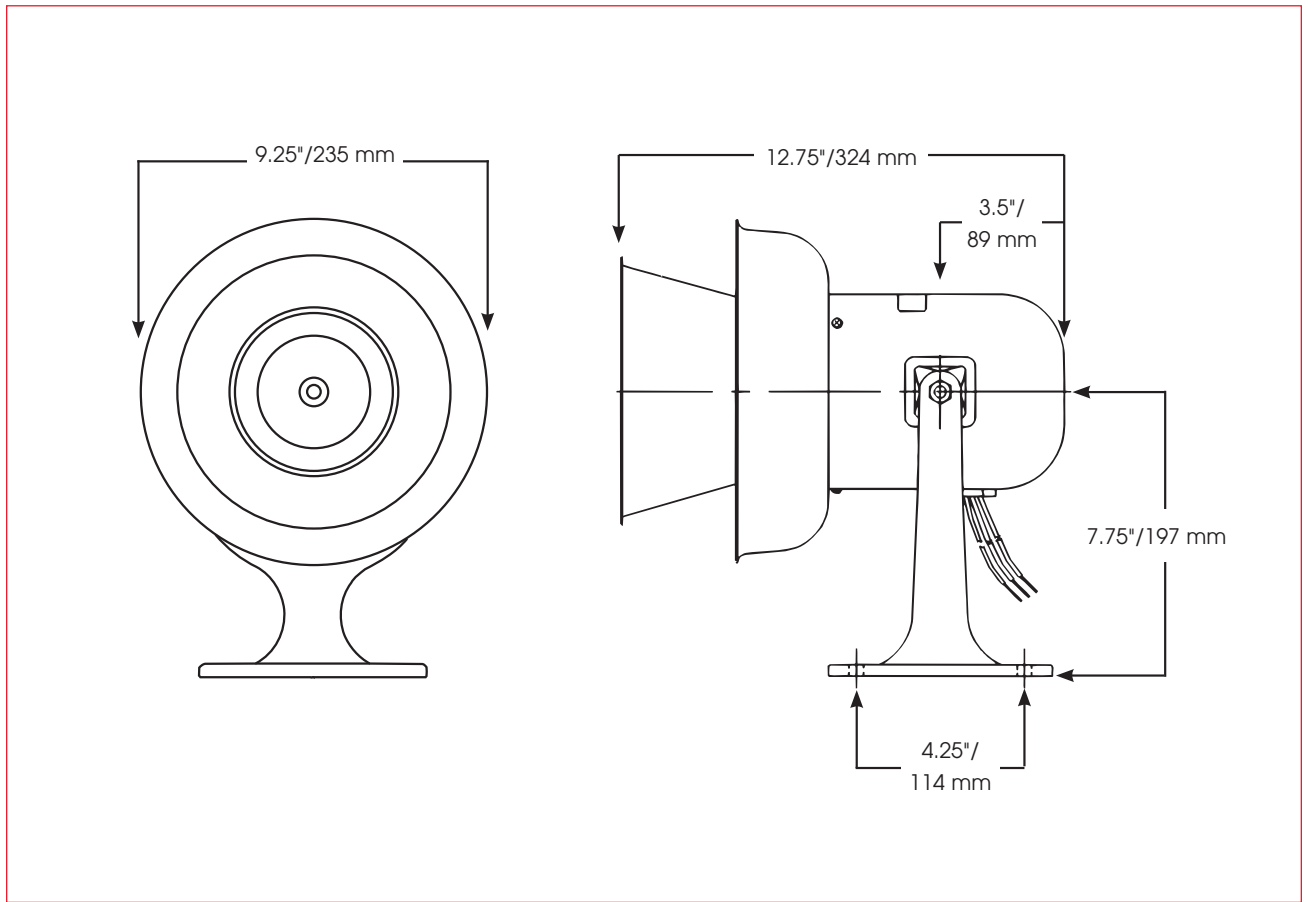
The Model A's metal housing is sealed with red powder coat for an attractive appearance and superior corrosion resistance. The swivel mount bracket accommodates wall and surface mount installations.

The Model A is UL and cUL Listed and FM Approved.

Model	Voltage	Operating Current	Decibels @		Frequency
			10'	1m	
A-120	120VAC/VDC	1.9 amps	103	113	1060Hz



GENERAL ALARM SIREN (A)



SPECIFICATIONS

Voltages:	120VAC/VDC	120VAC/VDC
Motor:	Universal	Universal
Net Weight:	9.0 lbs.	4.1 kg
Shipping Weight:	11.6 lbs.	5.3 kg
Width:	9.25"	235.0 mm
Length:	12.75"	324.0 mm

HOW TO ORDER

- Specify model and voltage
- Please refer to Model Number Index A beginning on page 375

REPLACEMENT PARTS

<i>Description</i>	<i>Part Number</i>
Rotor Assembly	K8179A046-03
Motor	K8118052A