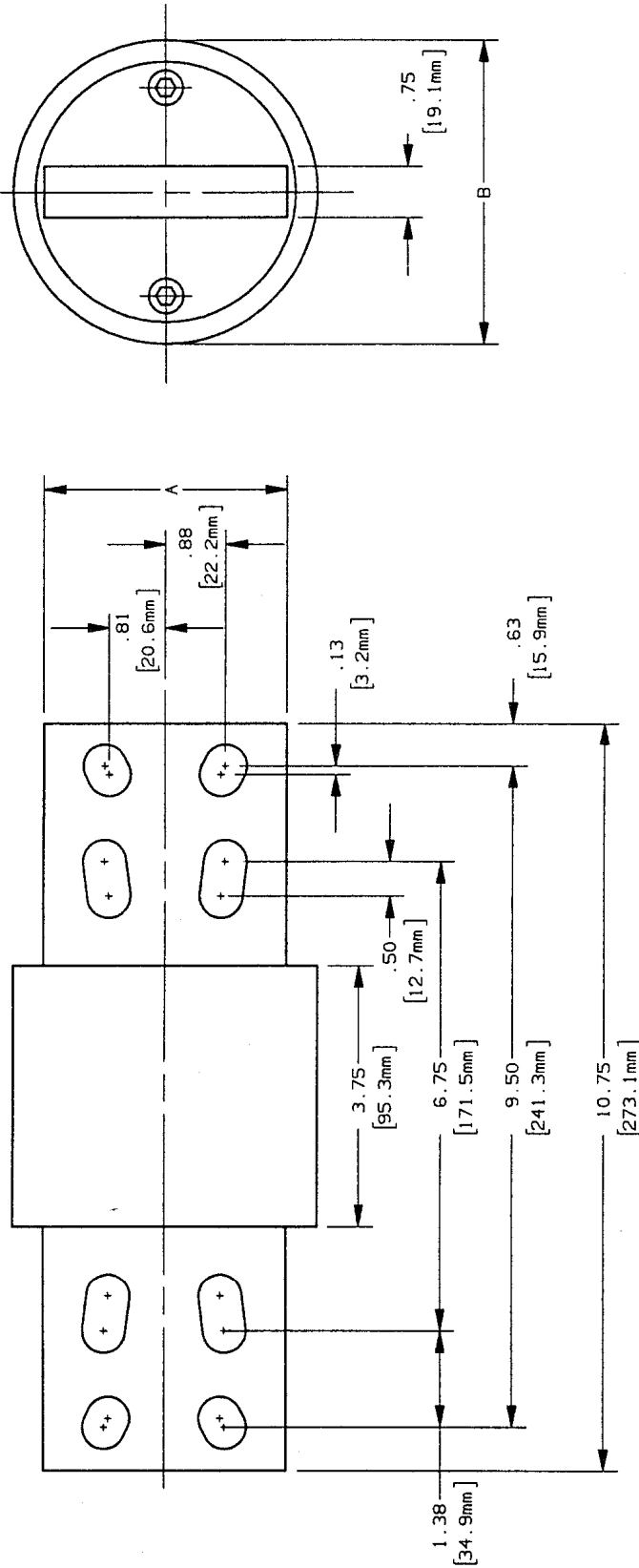


CONTROL No: 470

REV	DATE	ECO	DESCRIPTION	BY	CK	APP
G	4/2/04	NA	REDRAWN-WAS ON 14143 REV F DIM B WAS 5.00, 4.50	ELO	NA	NA



AMPERE RATING	CATALOG NO.	A	B
2001-2500	A4BY/X(AMP. RATING)	3.50 88.90	4.38 111.1
2501-3000	A4BY/X(AMP. RATING)	4.00 101.6	4.88 123.8

Ferraz Shawmut

FERRAZ SHAMMUT INC.
374 MERRIMAC STREET
NEWBURYPORT, MA 01950

PRODUCT MANAGER: *[Signature]*

DESIGN ENGINEER: *[Signature]*

SIGN: *[Signature]*

DATE: 4/13/04

A4BY/X(2001-3000)

FORM 480

3001-4000A 600VAC 250VDC

OUTLINE DIMENSIONS
NOT TO BE USED FOR PRODUCTION

14143